



ICs for Consumer Electronics

Confidential
Preliminary
User's Manual
TVTEXT PRO SDA 55xx
Version 1.21 July 99

TVTEXT PRO	
Revision History:	User's Manual Version 1.21 July 99
Previous Releases:	Version 1.1 Dec. 98, Version 1.2 April 99
Page	Subjects
	See Chapter List of Changes.

Edition July 99

**Published by Infineon Technologies, Bereich Halbleiter, Marketing-Kommunikation
Balanstraße 73, D-81541 München.**

© Infineon Technologies 1999. All Rights Reserved.

As far as patents or other rights of third parties are concerned, liability is only assumed for components per se, not for applications, processes and circuits implemented within components or assemblies.

The information describes the type of component and shall not be considered as assured characteristics.

Terms of delivery and rights to change design reserved.

For questions on technology, delivery and prices please contact the Offices of Infineon Technologies in Germany or Infineon Technologies Companies and Representatives worldwide.

Due to technical requirements components may contain dangerous substances. For information on the type in question please contact your nearest Infineon Technologies Office.

Preliminary & Confidential

1	Overview	9
1.1	Preface	9
1.2	Organization of this document	9
1.3	Related Documentation	10
1.4	Introduction	11
1.5	Features	12
1.6	Logic Symbol	15
1.7	Block diagram	16
2	Package and Pinning	17
2.1	Pin Functions (ROM and ROMless Version)	17
2.2	Additional Pins or Functions for ROMless Version	20
2.3	Port Alternate functions	22
3	SFR Overview	27
3.1	Additional registers	30
4	Clock System	33
4.1	General Function	33
4.2	Register Description	35
5	Slicer and Acquisition	39
5.1	General Function	39
5.2	Slicer Architecture	39
5.2.1	Distortion Processing	40
5.2.2	Data Separation	41
5.3	H/V-Synchronization	41
5.4	Acquisition Interface	42
5.4.1	FC-Check	42
5.4.2	Interrupts	43
5.4.3	VBI Buffer and Memory Organization	43
5.5	Register Description	46
5.5.1	RAM Registers	48
5.5.2	Recommended Parameter Settings	57
6	Microcontroller	59
6.1	Architecture	59
6.1.1	CPU-Hardware	60
6.1.2	CPU Timing	63
6.1.3	Addressing Modes	63
6.2	Ports and I/O-Pins	65
6.3	Instruction Set	68
6.3.1	Notes on Data Addressing Modes	68
6.3.2	Notes on Program Addressing Modes	68
6.3.3	Instruction Set Description	69

Preliminary & Confidential

6.3.4	Instruction Opcodes in Hexadecimal Order	74
7	Interrupts	83
7.1	Interrupt System	83
7.2	Interrupt Sources	83
7.3	Overview	84
7.4	Enabling interrupts	85
7.4.1	Interrupt Enable registers (IE0 IE1 IE2 IE3)	85
7.5	Interrupt source registers	87
7.6	Interrupt priority	90
7.6.1	Interrupt Priority registers (IP0 IP1)	91
7.7	Interrupt Vectors	92
7.8	Interrupt and memory extension	93
7.9	Interrupt Handling	93
7.10	Interrupt Latency	94
7.11	Interrupt Flag Clear	94
7.12	Interrupt return	94
7.13	Interrupt Nesting	94
7.14	External Interrupts	95
7.15	Extension of Standard 8051 Interrupt Logic	95
7.16	Interrupt Task Function	97
8	Power Saving modes	99
8.1	Power Save mode registers	99
8.2	Idle mode	103
8.3	Power down mode	104
8.4	Power save mode	104
8.5	Slow down mode	104
9	Reset	105
9.1	Reset sources	105
9.2	Reset filtering	105
9.3	Reset duration	105
9.4	Registers	105
9.5	Functional blocks	105
9.6	RAMs	105
9.7	Analog blocks	106
9.8	Processor	106
9.9	Ports	106
9.10	Initialization phase	106
9.10.1	Acquisition	106
9.10.2	Display	106
10	Memory Organization	107
10.1	Program Memory	107

Preliminary & Confidential

10.2	Internal Data RAM	108
10.2.1	CPU RAM	108
10.2.2	Extended Data RAM(XRAM)	109
10.3	Memory Extension	109
10.3.1	Memory extension registers	110
10.3.2	Reset value	112
10.3.3	Program memory Banking (LJMP)	112
10.3.4	CALLs and Interrupts	113
10.3.5	Stack Full	113
10.3.6	Timing	113
10.3.7	Interfacing Extended memory	114
10.3.8	Interfacing Extended stack	114
10.3.9	Application Examples	114
10.3.10	ROM and ROMless version.	116
11	UART	117
11.1	Modes	117
11.2	Multiprocessor Communication	119
12	General Purpose Timers/Counters	121
12.1	Timer/Counter 0: Mode Selection	121
12.1.1	Configuring the Timer/Counter Input	122
12.1.2	Timer/Counter Mode Register	123
12.1.3	Timer/Counter Control Register	124
13	Capture reload timer	125
13.1	Input clock	125
13.2	Reset values	125
13.3	Functional description	125
13.3.1	Port pin	125
13.3.2	Slow down mode	125
13.3.3	Run	126
13.3.4	Overflow	126
13.3.5	Modes	126
13.3.6	Normal Capture mode	126
13.3.7	Polling mode	127
13.3.8	Capture mode with spike suppression at the start of a telegram	127
13.3.9	First event	127
13.3.10	Second event	127
13.3.11	CRT Interrupt.	128
13.3.12	Counter Stop	128
13.4	Idle and power down mode.	128
13.5	Registers	128
13.6	Time resolution	131

Preliminary & Confidential

13.7	Block diagram	132
14	Pulse Width Modulation Unit	133
14.1	Reset Values	133
14.2	Input clock	133
14.3	Port pins	133
14.4	Functional description	134
14.4.1	8 bit PWM	134
14.4.2	14 bit PWM	135
14.5	Cycle time	136
14.6	Power down, idle and Power save mode.	136
14.7	Timer	136
14.8	Control registers	137
15	Watchdog Timer	141
15.1	Input clock	141
15.2	Starting WDT	141
15.3	Refresh	141
15.4	WDT reset	142
15.5	Power down mode	142
15.6	Time period	143
15.7	Block Diagram	144
15.8	WDT as general purpose timer.	145
16	Analog Digital Converter (CADC)	147
16.1	Power Down and Wake Up	147
16.2	Register Description	147
17	Sync System	153
17.1	General Description	153
17.1.1	Screen Resolution.	153
17.1.2	Sync Interrupts	155
17.2	Register Description	156
18	Display	170
18.1	Display Features	170
18.2	Display Memory	171
18.3	Parallel Character Attributes	172
18.3.1	Access of Characters	173
18.3.2	Flash	176
18.3.3	Character Individual Double Height	176
18.3.4	Character Individual Double Width	178
18.4	Global OSD Attributes	179
18.4.1	Character Display Area Resolution	183
18.4.2	Cursor	184

Preliminary & Confidential

18.4.3	Border Color	187
18.4.4	Full Screen Double Height	188
18.4.5	Flash Rate Control	190
18.4.6	Transparency of Boxes	191
18.4.7	CLUT	194
18.4.8	Character Resolution	199
18.4.9	Shadowing	201
18.4.10	Progressive Scan	202
18.5	DRCS characters	203
18.5.1	Memory Organization of DRCS characters	203
18.6	Memory Organization	206
18.6.1	Character Display Area	208
18.6.2	CLUT Area	208
18.6.3	Global Display Word/Cursor	208
18.6.4	1-bit/2-bit/4-bit DRCS character	209
18.6.5	Overview on the SFR registers	210
19	D/A Converter	211
19.1	Register Description	211
20	Electrical Characteristics	215
20.1	Absolute Maximum Ratings	215
20.2	Operating Range	215
20.3	DC Characteristics	215
20.4	Timings	221
20.5	Package Outlines	224
21	Glossary	225
22	Index	226
23	List of changes since last edition	227



SDA 55xx

Preliminary & Confidential

1 Overview

1.1 Preface

TVText Pro is a 8-bit controller based on SIEMENS Enhanced 8051 core with embedded teletext, On screen Display and TV controller functions. TVText Pro can be used for a wide range of TV and OSD applications. This document provides complete reference information of the TVText Pro system.

1.2 Organization of this document

- Chapter 1, **Overview**

Gives a general description of the product and lists the key features.

- Chapter 2, **Package and Pinning**

Lists pin locations with associated signals, categorizes signals according to function, and describes signals.

- Chapter 3, **SFR Overview**

List of the registers.

- Chapter 4, **Clock System**

Describes Clock system and it's distribution

- Chapter 5, **Slicer and Acquisition**

Describes slicer and acquisition interface

- Chapter 6, **Microcontroller**

Describes microcontroller, instruction set, ports

- Chapter 7, **Interrupts**

Describes interrupts, priorities, sources, enhancements to standard 8051 interrupt logic.

- Chapter 8, **Power Saving modes**

Describes the four power saving modes of the device.

- Chapter 9, **Reset**

Describes reset requirements and behavior of the device

- Chapter 10, **Memory Organization**

Describes internal/external RAM, ROM and Memory extension

- Chapter 11, **UART**

Describes peripheral UART

- Chapter 12, **General Purpose Timers/Counters**

Describes peripherals Timer0 and timer 1

Preliminary & Confidential

Overview

- Chapter 13, **Capture reload timer**
Describes peripheral CRT
- Chapter 14, **Pulse Width Modulation Unit**
Describes peripheral PWM
- Chapter 15, **Watchdog Timer**
Describes peripheral Watchdog timer
- Chapter 16, **Analog to Digital converter**
Describes ADC functionality.
- Chapter 17, **Sync System**
Screen resolution, sync mechanism
- Chapter 18, **Display**
Display features, modes and their usage
- Chapter 19, **Digital to Anaog converter**
Describes DAC operation
- Chapter 20, **Electrical Characteristics**
Lists all important AC and DC Values and the maximum operating conditions of SDA55xx.
- Chapter 21,22 &23 **Glossary, Index and List of changes since last edition**
Provides a list of used terms and abbreviations, their explanation and where to find them in that document and changes since last edition

1.3 Related Documentation

For easier understanding of this specification it is recommended to read the documentation listed in the following table.

Document Name	Document Purpose

1.4 Introduction

The SDA 55xx is a single chip teletext decoder for decoding World System Teletext data as well as Video Programming System (VPS), Program Delivery Control (PDC), and Wide Screen Signalling (WSS) data used for PAL plus transmissions (line 23).

The device provides an integrated general-purpose, fully 8051-compatible Microcontroller with television specific hardware features. Microcontroller has been enhanced to provide powerful features such as memory banking, data pointers and additional interrupts etc.

The on-chip display unit for displaying Level 1.5 teletext data can also be used for customer defined on-screen displays.

Internal XRAM consists of up to 16 KBytes. Device has an internal ROM of up to 128 KBytes. ROMless versions can access up to 1MByte of external RAM and ROM.

The SDA 55xx supports a wide range of standards including PAL, NTSC and contains a digital slicer for VPS, WSS, PDC, and TTX, an accelerating acquisition hardware module, a display generator for Level 1.5 TTX data and powerful On screen Display capabilities based on parallel attributes, and Pixel oriented characters (DRCS)

The 8 bit Microcontroller runs at 360 ns. cycle time (min.). Controller with dedicated hardware does most of the internal TTX acquisition processing, transfers data to/from the external memory interface and receives/transmits data via I²C-firmware user-interface.

The slicer combined with dedicated hardware stores TTX data in a VBI buffer of 1 Kilobyte. The Microcontroller firmware performs all the acquisition tasks (hamming- and parity-checks, page search and evaluation of header control bits) once per field.

Additionally, the firmware can provide high-end Teletext-features like Packet-26-handling, FLOF, TOP and list-pages. The interface to the user software is optimized for minimal overhead.

SDA 55xx is realized in 0.25 micron technology with 2.5V supply voltage and 3.3V I/O (TTL compatible).

The software and hardware development environment (TEAM) is available to simplify and speed up the development of the software and On Screen Display. **TEAM** stands for: **T**VT **E**xpert **A**pplication **M**aker. It improves the TV controller software quality in following aspects:

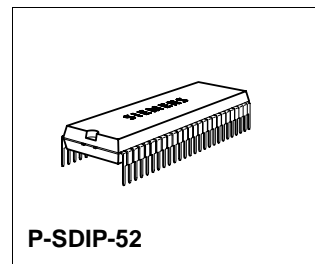
- Shorter time to market
- Re-usability
- Target independent development
- Verification and validation before targeting
- General test concept
- Graphical interface design requiring minimum programming and controller know how
- Modular and open tool chain, configurable by customer

CMOS

1.5 Features

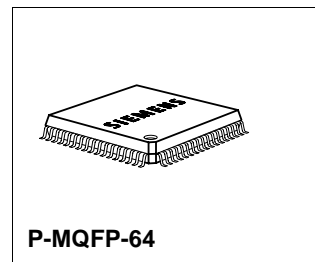
General

- Feature selection via special function register
- Simultaneous reception of TTX, VPS, PDC, and WSS (line 23)
- Supply Voltage 2.5 and 3.3 V
- ROM version package P-SDIP 52, P-MQFP64
- Romless version package P-MQFP100,P-LCC84



External Crystal and Programmable clock speed

- Single external 6MHz crystal, all necessary clocks are generated internally
- CPU clock speed selectable via special function registers.
- Normal Mode 33.33 Mhz CPU clock, Power Save mode 8.33 Mhz



Microcontroller Features

- 8bit 8051 instruction set compatible CPU.
- 33.33-MHz internal clock (max.)
- 0.360 μ s (min.) instruction cycle
- Two 16-bit timers
- Watchdog timer
- Capture compare timer for infrared remote control decoding
- Pulse width modulation unit (2 channels 14 bit, 6 channels 8 bit)
- ADC (4 channels, 8 bit)
- UART

Type	Package
TVTEXT PRO (ROM)	P-SDIP-52, P-MQFP-64
TVTEXT PRO (ROMless)	P-MQFP-100, P-LCC-84

Memory

- Non-multiplexed 8-bit data and 16 ... 20-bit address bus (ROMless Version)
- Memory banking up to 1Mbyte (Romless version)
- Up to 128 Kilobyte on Chip Program ROM
- Eight 16-bit data pointer registers (DPTR)
- 256-bytes on-chip Processor Internal RAM (IRAM)
- 128bytes extended stack memory.
- Display RAM and TXT/VPS/PDC/WSS-Acquisition-Buffer directly accessible via MOVX
- UP to 16KByte on Chip Extended RAM(XRAM) consisting of;
 - 1 Kilobyte on-chip ACQ-buffer-RAM (access via MOVX)
 - 1 Kilobyte on-chip extended-RAM (XRAM, access via MOVX) for user software
 - 3 Kilobyte Display Memory

Display Features

- ROM Character Set Supports all East and West European Languages in single device
- Mosaic Graphic Character Set
- Parallel Display Attributes
- Single/Double Width/Height of Characters
- Variable Flash Rate
- Programmable Screen Size (25 Rows x 33...64 Columns)
- Flexible Character Matrixes (HxV) 12 x 9...16
- Up to 256 Dynamical Redefinable Characters in standard mode; 1024 Dynamical Redefinable Characters in Enhanced Mode
- CLUT with up to 4096 color combinations
- Up to 16 Colors per DRCS Character
- One out of Eight Colors for Foreground and Background Colors for 1-bit DRCS and ROM Characters
- Shadowing
- Contrast Reduction
- Pixel by Pixel Shiftable Cursor With up to 4 Different Colors
- Support of Progressive Scan and 100 Hz.
- 3 X 4Bits RGB-DACs On-Chip
- Free Programmable Pixel Clock from 10 MHz to 32MHz
- Pixel Clock Independent from CPU Clock
- Multinorm H/V-Display Synchronization in Master or Slave Mode

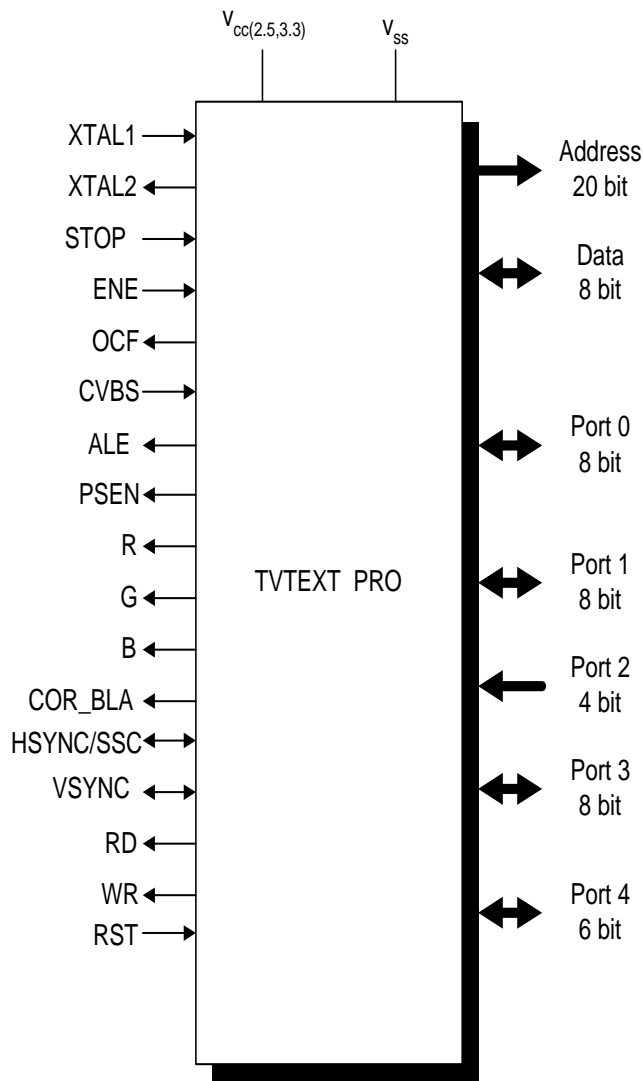
Acquisition Features

- Multistandard Digital Data Slicer
- Parallel Multi-norm Slicing (TTX, VPS, WSS, CC, G+)
- Four Different Framing Codes Available
- Data Caption only Limited by available Memory
- Programmable VBI-buffer
- Full Channel Data Slicing Supported
- Fully Digital Signal Processing
- Noise Measurement and Controlled Noise Compensation
- Attenuation Measurement and Compensation
- Group Delay Measurement and Compensation
- Exact Decoding of Echo Disturbed Signals

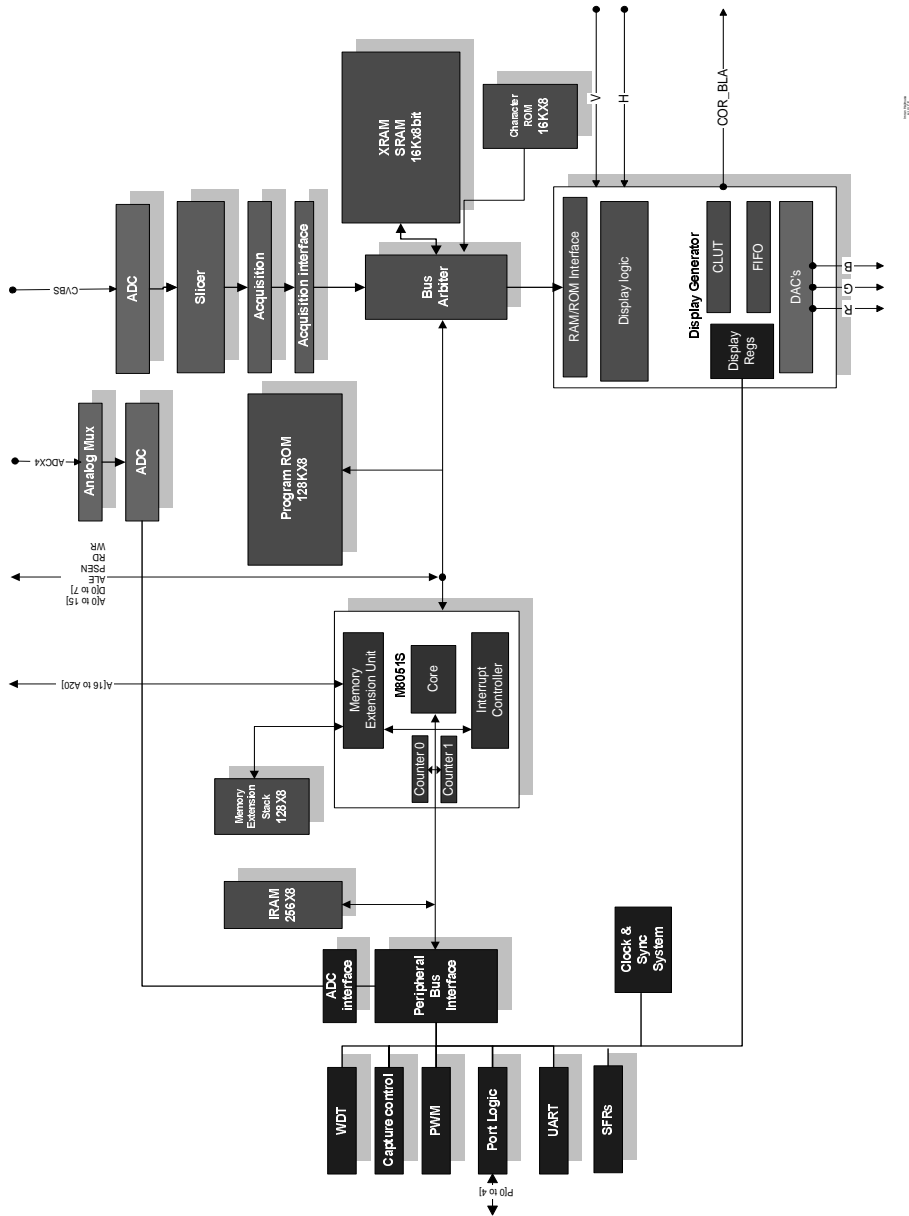
Ports

- One 8-bit I/O-port with open drain output and optional I²C Bus emulation support (Port0)
- Two 8-bit multifunction I/O-ports (Port1, Port3)
- One 4-bit port working as digital or analog inputs for the ADC (Port2)
- One 2-bit I/O port with secondary functions (P4.2, 4.3, 4.7)
- One 4-bit I/O-port with secondary function (P4.0, 4.1, 4.4) (Not available in P-SDIP 52)

1.6 Logic Symbol



1.7 Block diagram



2 Package and Pinning

2.1 Pin Functions (ROM and ROMless Version)

Symbol	Function		
P0.0-P0.7	Type I/O	Additional reference	Available: SDIP52, MQFP64, MQFP100, PLCC84
	Port 0 is a 8-bit open drain bidirectional I/O-port. Port 0 pins that have 1 written to them float; in this state they can be used as high impedance inputs (e.g. for software driven I ² C Bus support).		
P1.0-P1.7	Type I/O	Additional reference	Available: SDIP52, MQFP64, MQFP100, PLCC84
PWM	Port 1 is a 8-bit bidirectional multifunction I/O port with internal pull-up resistors. Port 1 pins that have 1 written to them are pulled high by the internal pull-up resistors and in that state can be used as inputs. The secondary functions of port 1 pins are: Port bits P1.0 - P1.5 contain the 6 output channels of the 8-bit pulse width modulation unit. Port bits P1.6 - P1.7 contain the two output channels of the 14-bit pulse width modulation unit.		
P2.0-P2.3	Type I	Additional reference	Available: SDIP52, MQFP64, MQFP100, PLCC84
ADC	Port 2 is a 4-bit input port without pull-up resistors. Port 2 also works as analog input for the 4-channel-ADC.		
P3.0-P3.7	Type I/O	Additional reference	Available: SDIP52, MQFP64, MQFP100, PLCC84
Alternate function	Port 3 is an 8-bit bidirectional I/O port with internal pull-up resistors. Port 3 pins that have 1 written to them are pulled high by the internal pull-up resistors and in that state can be used as inputs. To use the secondary functions of Port 3, the corresponding output latch must be programmed to a one (1) for that function to operate. The secondary functions are as follows: P3.0: ODD/EVEN indicate output _____ P3.1: external extra interrupt 0 (INTX0)/UART(TXD) P3.2: interrupt 0 input/timer 0 gate control input (INT0) P3.3: interrupt 1 input/timer 1 gate control input (INT1) P3.4: counter 0 input (T0) P3.5: counter 1 input (T1) or In master mode HS or VCS output. P3.7 external extra interrupt 0 (INTX1)/UART(RXD)		

Symbol	Function		
P4.2, P4.3, P4.7	Type I/O	Additional reference	Available: SDIP52, MQFP64, MQFP100, PLCC84
	<p>Port 4 is a bidirectional I/O port with internal pull-up resistors. Port 4 pins that have 1 written to them are pulled high by the internal pull-up resistors and in that state can be used as inputs.</p> <p>Secondary functions</p> <p>P4.2: RD, Read line. This signal is same as the to output of the pin RD available in some packages.</p> <p>P4.3: WR, write line. This signal is same as the output of the pin WR, which is only available in some package.</p> <p>P4.7: VS, Vertical sync: ODD/Even, Odd/even field indicator.</p>		
RST	Type I	Additional reference	Available: SDIP52, MQFP64, MQFP100, PLCC84
	<p>A low level on this pin resets the device. An internal pull-up resistor permits power-on reset using only one external capacitor connected to V_{SS}.</p>		
$V_{DD3.3}$ $V_{DD2.5}$ V_{SS}	Type PS	Additional reference	Available: SDIP52, MQFP64, MQFP100, PLCC84
	<p>$V_{DD3.3}$ Input/output (3.3V) $V_{DD2.5}$ Supply voltage (2.5V) V_{SS} Ground (0 V)</p>		
V_{DDA} V_{SSA}	Type PS	Additional reference	Available: SDIP52, MQFP64, MQFP100, PLCC84
	<p>Supply voltage for analog components. Ground for analog components.</p>		
CVBS	Type I	Additional reference	Available: SDIP52, MQFP64, MQFP100, PLCC84
	<p>CVBS input for the acquisition circuit.</p>		
HS/SC	Type I	Additional reference	Available: SDIP52, MQFP64, MQFP100, PLCC84
	<p>In slave mode Horizontal sync input or sandcastle input for display synchronization. In master mode HS or VCS output.</p>		
XTAL1	Type I	Additional reference	Available: SDIP52, MQFP64, MQFP100, PLCC84
	<p>Input of the inverting oscillator amplifier.</p>		

Symbol	Function		
XTAL2	Type O	Additional reference	Available: SDIP52, MQFP64, MQFP100, PLCC84
	Output of the inverting oscillator amplifier.		
VS/P4.7	Type I/O	Additional reference	Available: SDIP52, MQFP64, MQFP100, PLCC84
	Vertical sync input/output for display synchronization. Can also be used as digital input P4.7. Furthermore this pin can be selected as an ODD/EVEN indicator alternatively to P3.0.		
R,G,B	Type O	Additional reference	Available: SDIP52, MQFP64, MQFP100, PLCC84
	Red, Green, Blue		
COR_BLA	Type O	Additional reference	Available: SDIP52, MQFP64, MQFP100, PLCC84
	Contrast reduction and blanking		

2.2 Additional Pins or Functions for ROMless Version

Symbol	Function		
A0-A16	Type O	Additional reference	Available: MQFP100, PLCC84
	Address bus for external program memory or data RAM		
A17...A19/ P4.0, P4.1, P4.4	Type I/O	Additional reference	Available: MQFP100, PLCC84
	After power-on P4.0, P4.1, P4.4 work as additional address lines A17...A19. In port mode, these port lines act as bidirectional I/O port with internal pull-up resistors. Port pins that have '1' written to them are pulled high by the internal pull-up resistors and in that state can be used as inputs.		
D0-D7	Type I/O	Additional reference	Available: MQFP100, PLCC84
	Data bus for external memory or data RAM		
<u>STOP</u>	Type I	Additional reference	Available: MQFP100
	STOP Emulation control line; Driving a low level during the input phase freezes the real time relevant internal peripherals such as timers and interrupt controller.		
OCF	Type O	Additional reference	Available: MQFP100
	Opcode Fetch Emulation control line; A high level driven by the controller during output phase indicates the beginning of a new instruction.		
<u>ENE</u>	Type I	Additional reference	Available: MQFP100
	Enable Emulation Only if this pin is set to zero externally, STOP and OCF are operational. ENE has an internal pull-up resistor which switches automatically to non-emulation mode if ENE is not connected.		

Symbol	Function		
$\overline{\text{RD}}$	Type O	Additional reference	Available: MQFP100, PLCC84
	Control output; indicates a read access to the internal XRAM; can be used for latching data from the data bus into an external data RAM by a MOVX instruction. This signal is also available as P4.2.		
$\overline{\text{WR}}$	Type O	Additional reference	Available: MQFP100, PLCC84
	Control output; indicates a write access to the internal XRAM; can be used as a write strobe for writing data into an external data RAM by a MOVX instruction. This signal is also available as P4.3		
ALE	Type O	Additional reference	Available: MQFP100
	Address Latch Enable		
$\overline{\text{PSEN}}$	Type O	Additional reference	Available: MQFP100, PLCC84
	Program Store Enable is a control output signal which is usually connected to OE input line of the external program memory to enable the data output.		
$\overline{\text{XROM}}$	Type I	Additional Reference	Available: MQFP100, PLCC84
	This pin must be pulled low to access external ROM.		
FL_xx	Type I	Additional Reference	Available: MQFP100
	All the pins prefix by FL_ are test pins which must be left open..		

2.3 Port Alternate functions

Port	I/O	Default function	Alternate Function 2		Alternate Function 3	
			Toggle	Function	Toggle	Function
			Control bit	Function	Control bit	Function
P0(0..7)	I/O	Port pin				
P1(0)	I/O	Port pin	PWME(E0)	PWM 8 bit channel 0		
P1(1)	I/O	Port pin	PWME(E1)	PWM 8 bit channel 1		
P1(2)	I/O	Port pin	PWME(E2)	PWM 8 bit channel 2		
P1(3)	I/O	Port pin	PWME(E3)	PWM 8 bit channel 3		
P1(4)	I/O	Port pin	PWME(E4)	PWM 8 bit channel 4		
P1(5)	I/O	Port pin	PWME(E5)	PWM 8 bit channel 5		
P1(6)	I/O	Port pin	PWME(E6)	PWM 14 bit channel 0		
P1(7)	I/O	Port pin	PWME(E7)	PWM 14 bit channel 1		
P2(0)	I	Port pin	CADCCO(AD0)	ADC channel 0		
P2(1)	I	Port pin	CADCCO(AD1)	ADC channel 1		
P2(2)	I	Port pin	CADCCO(AD2)	ADC channel 2		
P2(3)	I	Port pin	CADCCO(AD3)	ADC channel 3		
P3(0)	I/O	Port pin	CSCR0(O_E_P3_0)	ODD/Even indicator		
P3(1)	I/O	Port pin	Port input mode	External extra Int 0	Port output mode	TXD
P3(2)	I/O	Port pin	Port input mode	External interrupt 0		
P3(3)	I/O	Port pin	Port input mode	External interrupt 1		
P3(4)	I/O	Port pin	Port input mode	Timer/counter 0 input		
P3(5)	I/O	Port pin	Port input mode	Timer/counter 0 input		
P3(6)	I/O	Port pin				
P3(7)	I/O	Port pin	Port input mode	External extra Int 1	Port input mode	RXD
P4(0) ¹⁾	I/O	A17	CSCR1(A17_P4_0)	Port pin		
P4(1) ¹⁾	I/O	A18	CSCR1(A18_P4_1)	Port pin		
P4(2)	I/O	Port pin	CSCR1(ENARW)	Read signal		
P4(3)	I/O	Port pin	CSCR1(ENARW)	Write signal		
P4(4) ¹⁾	I/O	A19	CSCR1(A19_P4_4)	Port pin		
P4(7)	I/O	Port/VS in	CSCR0(VS_OE, P4_7_ALT)	VS output	CSCR0(VS_OE, P4_7_ALT)	OddEven output

1) Not available in SDIP52

2.4 Pin Configuration P-SDIP-52 (ROM Version)
(top view)

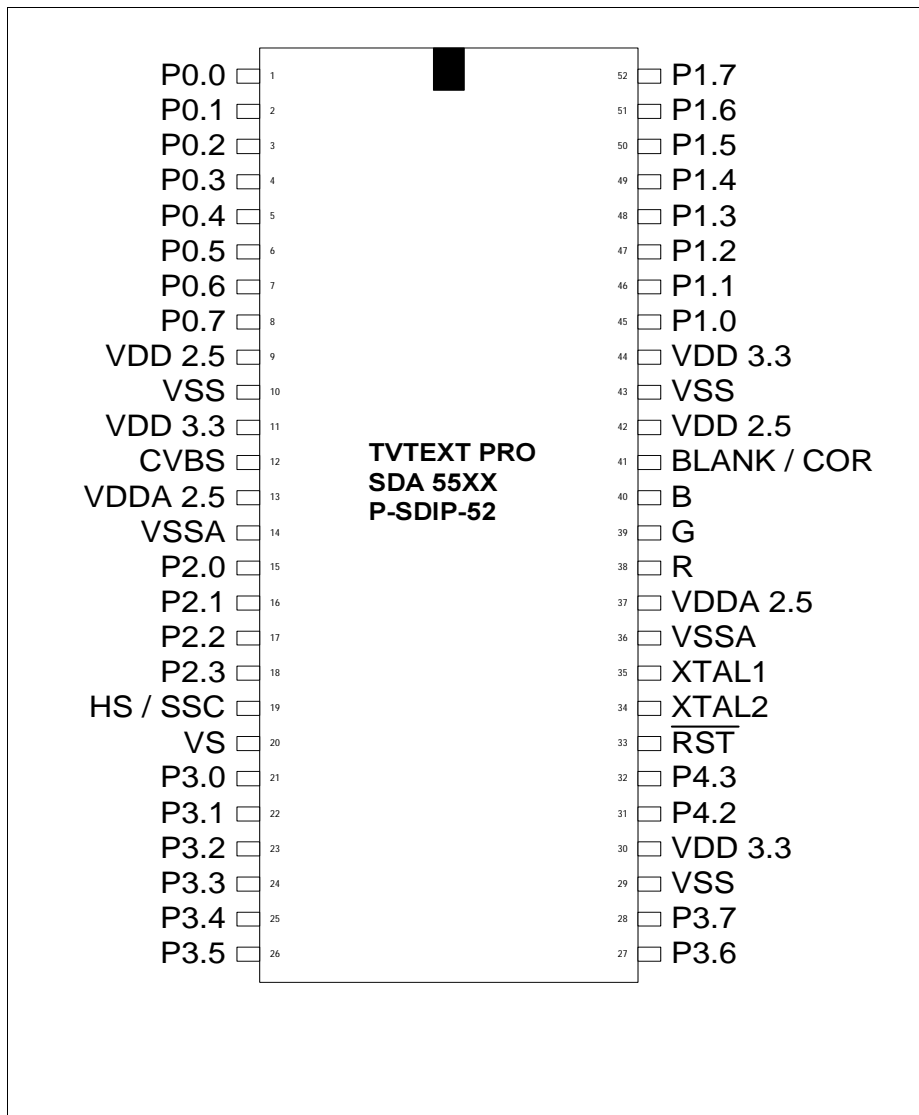


Figure 1
P-SDIP-52 (ROM Version of SDA 55xx)

2.5 Pin Configuration P-MQFP-64 (ROM Version)
(top view)

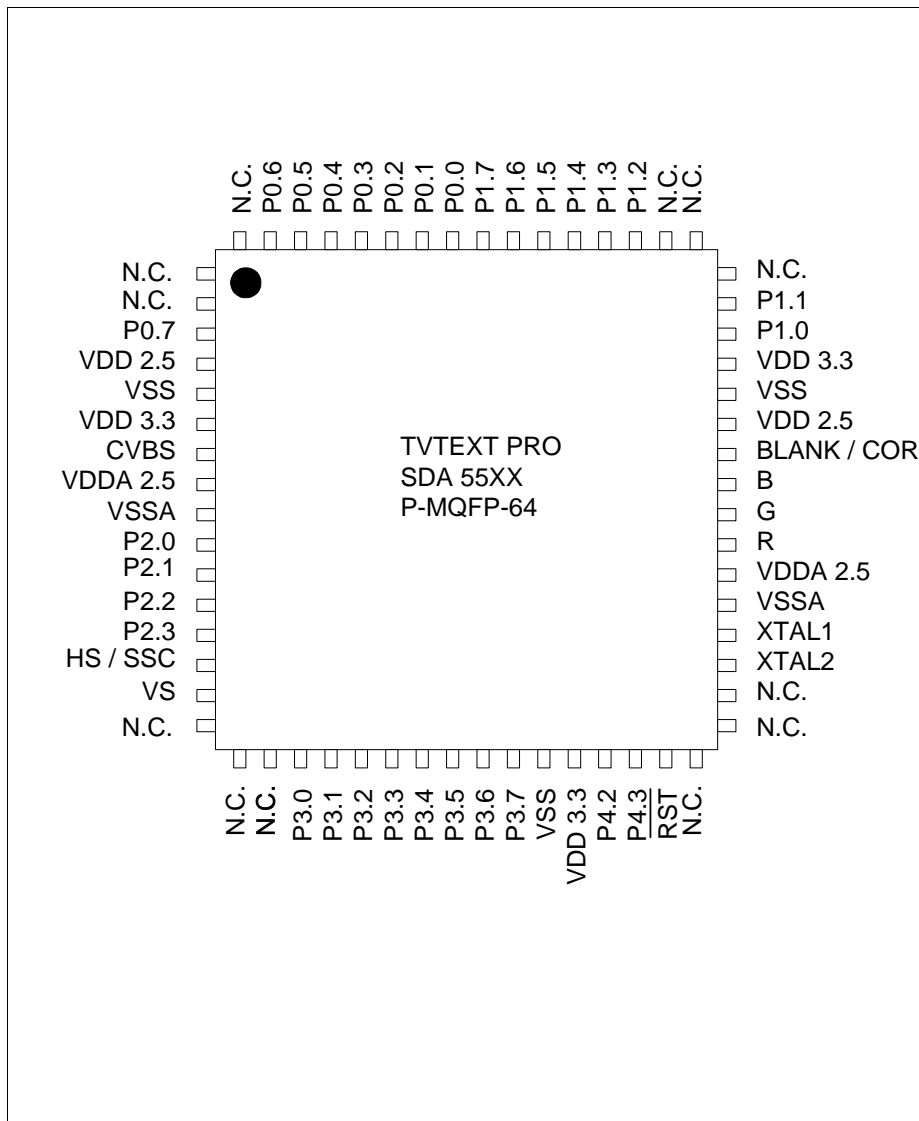


Figure 2
P-MQFP-64 (ROM Version)

2.6 Pin Configuration P-MQFP100 (ROMless Version)
(top view)

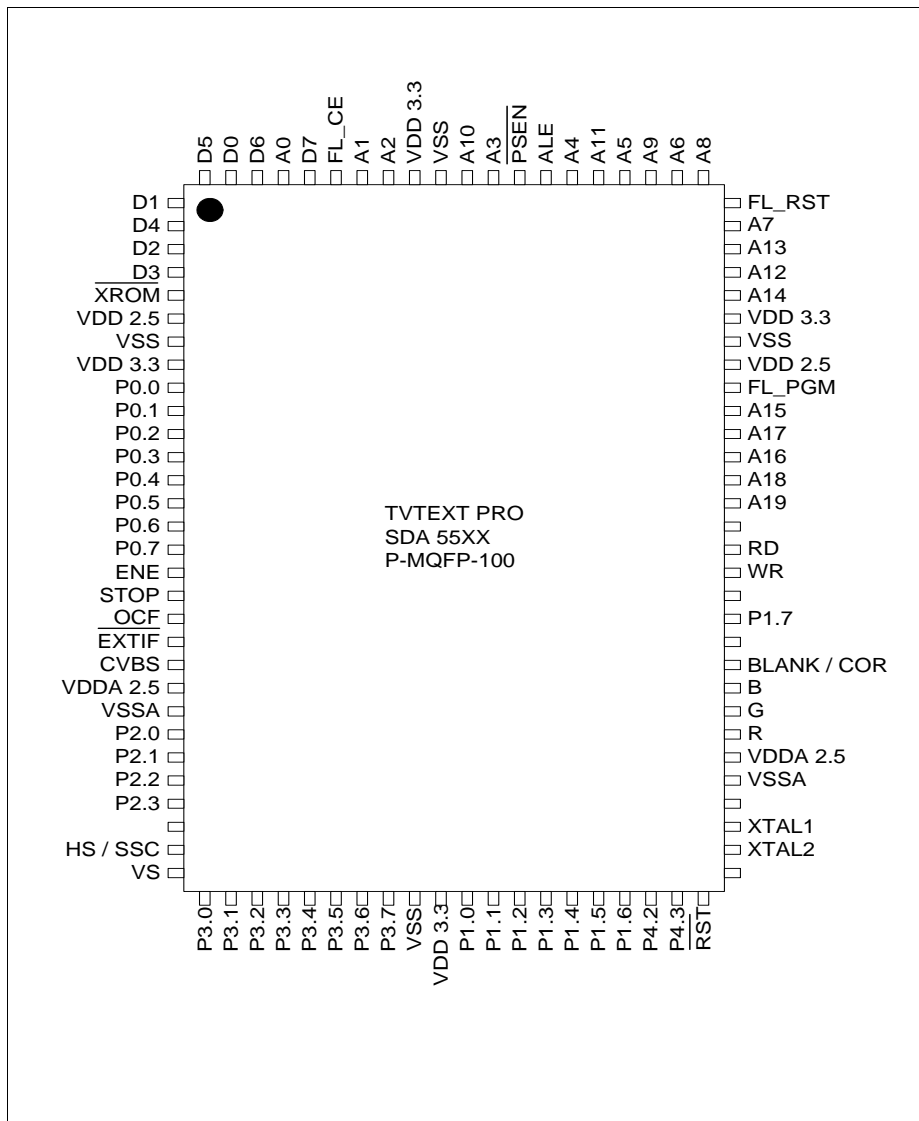


Figure 3
P-MQFP100 (ROMless Version)

2.7 Pin Configuration P-LCC-84 (ROMless Version)
(top view)

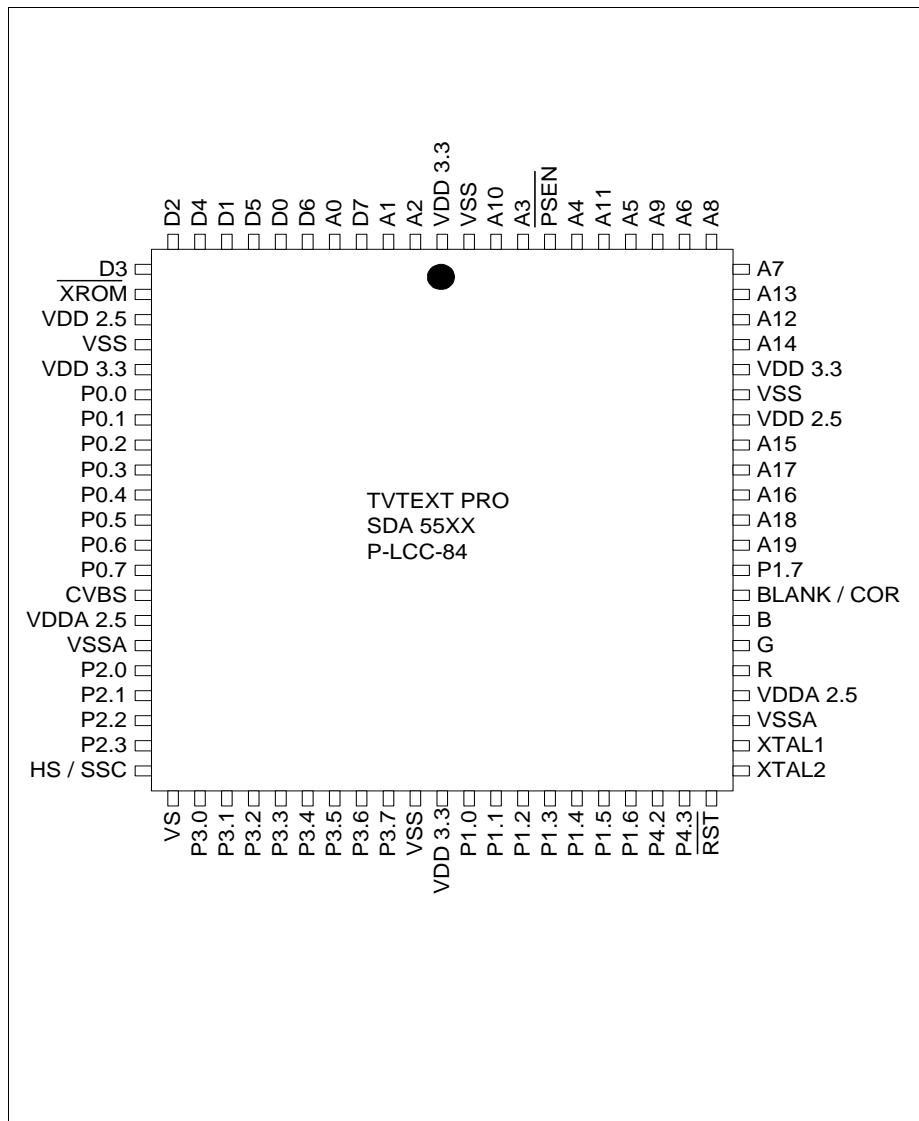


Figure 4
P-LCC-84 (ROMless Version)

3 SFR Overview

Add	Long name	Short Name	Bit Add	Reset Value	Location	Bit7	Bit 6	Bit 5	Bit 4	Bit 3	Bit 2	Bit1	Bit 0
80	Port 0	P0	Yes	FF	Port	P0_7	P0_6	P0_5	P0_4	P0_3	P0_2	P0_1	P0_0
81	Stack pointer	SP	No	07	Micro	SP_7	SP_6	SP_5	SP_4	SP_3	SP_2	SP_1	SP_0
82	Data Pointer Low	DPL	No	00	Micro	DPL_7	DPL_6	DPL_5	DPL_4	DPL_3	DPL_2	DPL_1	DPL_0
83	Data Pointer High	DPH	No	00	Micro	DPH_7	DPH_6	DPH_5	DPH_4	DPH_3	DPH_2	DPH_1	DPH_0
84	Data Pointer Select	DPSEL	No	00	Micro						DPSEL_2	DPSEL_1	DPSEL_0
85			No	00									
86			No	00									
87	Power control	PCON	No	00	Micro	SMOD	PDS	IDLS	SD	GF1	GF0	PDE	IDLE
88	Tmr/Ctr control	TCON	Yes	00	Micro	TF1	TR1	TF0	TR0	IE1	IT1	IE0	IT0
89	Tmr/Ctr Mode Ctrl	TMOD	No	00	Micro	GATE1	C/NT1	M1(0)	M0(1)	GATE0	C/NT0	M1(0)	M0(0)
8A	Tmr/Ctr 0 Low byte	TL0	No	00	Micro	TL0_7	TL0_6	TL0_5	TL0_4	TL0_3	TL0_2	TL0_1	TL0_0
8B	Tmr/Ctr 1 Low byte	TL1	No	00	Micro	TL1_7	TL1_6	TL1_5	TL1_4	TL1_3	TL1_2	TL1_1	TL1_0
8C	Tmr/Ctr 0 High byte	TH0	No	00	Micro	TH0_7	TH0_6	TH0_5	TH0_4	TH0_3	TH0_2	TH0_1	TH0_0
8D	Tmr/Ctr 1 High byte	TH1	No	00	Micro	TH1_7	TH1_6	TH1_5	TH1_4	TH1_3	TH1_2	TH1_1	TH1_0
8E			No	00									
8F			No	00									
90	Port 1	P1	Yes	FF	Port	P1_7	P1_6	P1_5	P1_4	P1_3	P1_2	P1_1	P1_0
91			No	00									
92			No	00									
93			No	00									
94	Memory Ext Reg 1	MEX1	No	00	Micro	CB19	CB18	CB17	CB16	NB19	NB18	NB17	NB16
95	Memory Ext Reg 2	MEX2	No	00	Micro	MM	MB18	MB17	MB16	IB19	IB18	IB17	IB16
96	Memory Ext Reg 3	MEX3	No	00	Micro	MB19	UB3	UB4	MX19	MXM	MX18	MX17	MX16
97	Memory Ext stack Ptr	MEXSP	No	00	Micro	--	SP6	SP5	SP4	SP3	SP2	SP1	SP0
98	Serial control register	SCON	Yes	00	UART	SM0	SM1	SM2	REN	TB8	RB8	T1	RI
99	Serial Data Buffer	SBUF	No	00	UART	D7	D6	D5	D4	D3	D2	D1	D0
9A			No	00									
9B			No	00									
9C			No	00									
9D			No	00									
9E			No	00									
9F			No	00									
A0	Port 2	P2	Yes	FF	Port	P2_7	P2_6	P2_5	P2_4	P2_3	P2_2	P2_1	P2_0
A1			No	00									
A2			No	00									
A3			No	00									
A4			No	00									
A5			No	00									

Add	Long name	Short Name	Bit Add	Reset Value	Location	Bit7	Bit 6	Bit 5	Bit 4	Bit 3	Bit 2	Bit1	Bit 0
A6			No	00									
A7			No	00									
A8	Interrupt enable Reg 0	IE0	Yes	00	Interrupt	EAL	-	EAD	EU	ET1	EX1	ET0	EX0
A9	Interrupt enable 1	IE1	No	00	Interrupt	-	-	EDV	EAV	EXX1	EWT	EXX0	--
AA	Interrupt enable 2	IE2	No	00	Interrupt	-	-	EDH	EAH	ECC	EPW	--	--
AB	Interrupt enable 3	IE3	No	00	Interrupt	-	-	EADW	EZ4	--	--	--	--
AC	Interrupt Priority 1	IP1	No	00	Interrupt	-	-	GSP0	G4P0	G3P0	G2P0	G1P0	G0P0
AD	Interrupt control reg	IRCON	No	05	Interrupt	EXX1R	EXX1F	EXX0R	EXX0F	EX1R	EX1F	EX0R	EX0F
AE			No	00									
AF			No	00									
B0	Port 3	P3	Yes	FF		P3_7	P3_6	P3_5	P3_4	P3_3	P3_2	P3_1	P3_0
B1	Watchdog Reload	WDT_rel	No	00	WDT	WDTrel_7	WDTrel_6	WDTrel_5	WDTrel_4	WDTrel_3	WDTrel_2	WDTrel_1	WDTrel_0
B2	Watchdog control	WDT_ctrl	No	00	WDT	WDT_in	WDT_start	WDT_nars1	WDT_rst	--	--	--	--
B3	Watchdog refresh	WDT_refersh	No	00	WDT	WDT_ref	WDT_tmr	Wtmr_strt	Wtmr_ov	--	--	--	--
B4	WDT timer low byte	WDT_low	No	00	WDT	WDTlow_7	WDTlow_6	WDTlow_5	WDTlow_4	WDTlow_3	WDTlow_2	WDTlow_1	WDTlow_0
B5	WDT timer high byte	WDT_high	No	00	WDT	WDTHi_7	WDTHi_6	WDTHi_5	WDTHi_4	WDTHi_3	WDTHi_2	WDTHi_1	WDTHi_0
B6			No	00									
B7	CRT reload low byte	CRT_rell	No	00	CRT	RelL_7	RelL_6	RelL_5	RelL_4	RelL_3	RelL_2	RelL_1	RelL_0
B8	Interrupt priority 0	IP0	Yes	00	Micro	-	-	GSP1	G4P1	G3P1	G2P1	G1P1	G0P1
B9	CRT reload high byte	CRT_relh	No	00	CRT	RelH_7	RelH_6	RelH_5	RelH_4	RelH_3	RelH_2	RelH_1	RelH_0
BA	CRT capture low byte	CRT_capl	No	00	CRT	CapL_7	CapL_6	CapL_5	CapL_4	CapL_3	CapL_2	CapL_1	CapL_0
BB	CRT capture high byte	CRT_caph	No	00	CRT	CapH_7	CapH_6	CapH_5	CapH_4	CapH_3	CapH_2	CapH_1	CapH_0
BC	CRT min capture low	CRT_mincapl	No	00	CRT	MinL_7	MinL_6	MinL_5	MinL_4	MinL_3	MinL_2	MinL_1	MinL_0
BD	CRT min capture high	CRT_mincaph	No	00	CRT	MinH_7	MinH_6	MinH_5	MinH_4	MinH_3	MinH_2	MinH_1	MinH_0
BE	CRT control 0	CRTCON0	No	00	CRT	OV	PR	PLG	REL	RUN	RISE	FALL	SEL
BF	CRT control 1	CRTCON1	No	00	CRT	-	-	-	-	-	PR1	First	Start
C0	Central int service 0	CISR0	Yes	00	Interrupt	L24	ADC	WTmr	AVS	DVS	PWtmr	AHS	DHS
C1	PWM 8bit compare 0	PWM_comp8_0	No	00	PWM	PC80_7	PC80_6	PC80_5	PC80_4	PC80_3	PC80_2	PC80_1	PC80_0
C2	PWM 8bit compare 1	PWM_comp8_1	No	00	PWM	PC81_7	PC81_6	PC81_5	PC81_4	PC81_3	PC81_2	PC81_1	PC81_0
C3	PWM 8bit compare 2	PWM_comp8_2	No	00	PWM	PC82_7	PC82_6	PC82_5	PC82_4	PC82_3	PC82_2	PC82_1	PC82_0
C4	PWM 8bit compare 3	PWM_comp8_3	No	00	PWM	PC83_7	PC83_6	PC83_5	PC83_4	PC83_3	PC83_2	PC83_1	PC83_0
C5	PWM 8bit compare 4	PWM_comp8_4	No	00	PWM	PC84_7	PC84_6	PWC84_5	PC84_4	PC84_3	PC84_2	PC84_1	PC84_0
C6	PWM 8bit compare 5	PWM_comp8_5	No	00	PWM	PC85_7	PC85_6	PC85_5	PC85_4	PC85_3	PC85_2	PC85_1	PC85_0
C7	PWM 14bit compare 0	PWM_comp14_0	No	00	PWM	PC140_7	PC140_6	PC140_5	PC140_4	PC140_3	PC140_2	PC140_1	PC140_0
C8	Central int service 1	CISR1	Yes	00	Interrupt	CC	ADW					IEX1	IEX0
C9	PWM 14bit compare 1	PWM_comp14_1	No	00	PWM	PC141_7	PC141_6	PC141_5	PC141_4	PC141_3	PC141_2	PC141_1	PC141_0
CA	PWM 14bit comp ext 0	PWM_compext14_0	No	00	PWM	PCX140_7	PCX140_6	PCX140_5	PCX140_4	PCX140_3	PCX140_2	PCX140_1	PCX140_0
CB	PWM 14bit comp ext 1	PWM_compext14_1	No	00	PWM	PCX141_7	PCX141_6	PCX141_5	PCX141_4	PCX141_3	PCX141_2	PCX141_1	PCX141_0
CC	PWM counter low byte	PWM_cl	No	00	PWM	PWC_7	PWC_6	PWC_5	PWC_4	PWC_3	PWC_2	PWC_1	PWC_0
CD	PWM counter high byte	PWM_ch	No	00	PWM	PWM_Tmr	OV	PWC_13	PWC_12	PWC_11	PWC_10	PWC_9	PWC_8
CE	PWM channel enable	PWM_En	No	00	PWM	PE7	PE6	PE5	PE4	PE3	PE2	PE1	PE0

Addr	Long name	Short Name	Bit Add	Reset Value	Location	Bit7	Bit 6	Bit 5	Bit 4	Bit 3	Bit 2	Bit1	Bit 0
CF													
D0	Program Status Word	PSW	Yes	00	Micro	CY	AC	F0	RS1	RS0	OV	F1	P
D1	ADC channel 0 result	CADC0	No	00	ADC	CADC0(7)	CADC0(6)	CADC0(5)	CADC0(4)	CADC0(3)	CADC0(2)	CADC0(1)	CADC0(0)
D2	ADC channel 1 result	CADC1	No	00	ADC	CADC1(7)	CADC1(6)	CADC1(5)	CADC1(4)	CADC1(3)	CADC1(2)	CADC1(1)	CADC1(0)
D3	ADC channel 2 result	CADC2	No	00	ADC	CADC2(7)	CADC2(6)	CADC2(5)	CADC2(4)	CADC2(3)	CADC2(2)	CADC2(1)	CADC2(0)
D4	ADC channel 3 result	CADC3	No	00	ADC	CADC3(7)	CADC3(6)	CADC3(5)	CADC3(4)	CADC3(3)	CADC3(2)	CADC3(1)	CADC3(0)
D5	ADC Configuration	CADCCO	No	00	ADC				ADWULE	AD3	AD2	AD1	AD0
D6			No	00									
D7	Power save Extra Reg	PSAVEX	No	00	PSave	--	--	--	--	--	CLK_SRC	PLL_RST	PLLS
D8	Power Save Register	PSAVE	Yes	00	PSave	--	--	--	CADC	WAKUP	SU_ACQ	DISP	PERI
D9	Config ACQ & Slicer	STRVBI	No	00	Acq	ACON	Reserved	ACOSTA	--	VBIADR_3	VBIADR_2	VBIADR_1	VBIADR_0
DA	DTO pixel freq factor 0	PCLK0	No	01	DTO	--	--	--	--	--	PF(10)	PF(9)	PF(8)
DB	DTO pixel freq factor 1	PCLK1	No	48	DTO	PF(7)	PF(6)	PF(5)	PF(4)	PF(3)	PF(2)	PF(1)	PF(0)
DC			No	00									
DD	Central Special ctrl 0	CSCR 0	No	00			--	Reserved	Reserved	P4_7_Alt	VS_OE	O_E_P3_0	O_E_Pol
DE	Central Special ctrl 1	CSCR 1	No	00		IntSrc1	IntSrc0	--	--	ENARW	A19_P4_4	A18_P4_1	A17_P4_0
DF	Sandcastle	SNDCASTL	No	00	DSync		HYS	SND_V_2	SND_V_1	SND_V_0	SND_H_2	SND_H_1	SND_H_0
E0	Accumulator		Yes	00	Micro	A_7	A_6	A_5	A_4	A_3	A_2	A_1	A_0
E1	DSync control 1	SCR1	No	A0	DSync	BW_CON	RGB_G_1	RGB_G_0	COR_BL	VSU_3	VSU_2	VSU_1	VSU_0
E2	DSync control 0	SCR0	No	00	DSync	RGB_D(1)	RGB_D(0)	HP	VP	INT	SNC	VCS	MAST
E3	DSync V delay 1	SDV1	No	00	DSync							SDV_9	SDV_8
E4	DSync V delay 0	SDV0	No	20	DSync	SDV_7	SDV_6	SDV_5	SDV_4	SDV_3	SDV_2	SDV_1	SDV_0
E5	DSync H delay 1	SDH1	No	00	DSync					SDH_11	SDH_10	SDH_9	SDH_8
E6	DSync H delay 0	SDH0	No	48	DSync	SDH_7	SDH_6	SDH_5	SDH_4	SDH_3	SDH_2	SDH_1	SDH_0
E7	DSync H clamp begin	HCR1	No	08	DSync	EHCR_7	EHCR_6	EHCR_5	EHCR_4	EHCR_3	EHCR_2	EHCR_1	EHCR_0
E8	Port 4	P4	Yes	EC	Port	P4_7	P4_6	P4_5	P4_4	P4_3	P4_2	P4_1	P4_0
E9	DSync H clamp end	HCR0	No	00	DSync	BHCR_7	BHCR_6	BHCR_5	BHCR_4	BHCR_3	BHCR_2	BHCR_1	BHCR_0
EA	DSync V clamp begin 1	BVCR1	No	00	DSync							BVCR_9	BVCR_8
EB	DSync V clamp begin 0	BVCR0	No	00	DSync	BVCR_7	BVCR_6	BVCR_5	BVCR_4	BVCR_3	BVCR_2	BVCR_1	BVCR_0
EC	DSync V clamp end 1	EVCR1	No	00	DSync							EVCR_9	EVCR_8
ED	DSync V clamp end 0	EVCR0	No	00	DSync	EVCR_7	EVCR_6	EVCR_5	EVCR_4	EVCR_3	EVCR_2	EVCR_1	EVCR_0
EE	DSync Vertical line 1	VLR1	No	02	DSync		Odd_Ev	VSU_3	VSU_2	VSU_1	VSU_0	VL_9	VL_8
EF	DSync Vertical line 0	VLR0	No	71	DSync	VL_7	VL_6	VL_5	VL_4	VL_3	VL_2	VL_1	VL_0
F0	B register	B	Yes	00	Micro	B_7	B_6	B_5	B_4	B_3	B_2	B_1	B_0
F1	DSync Horiz period 1	HPR1	No	08	DSync				--	HPR_11	HPR_10	HPR_9	HPR_8
F2	DSync Horiz period 0	HPR0	No	55	DSync	HPR_7	HPR_6	HPR_5	HPR_4	HPR_3	HPR_2	HPR_1	HPR_0
F3	Display Ptr 1 high byte	PointArray1_1	No	00	Display	--	--	Point1_13	Point1_12	Point1_11	Point1_10	Point1_9	Point1_8
F4	Display Ptr 1 low byte	PointArray1_0	No	00	Display	Point1_7	Point1_6	Point1_5	Point1_4	Point1_3	Point1_2	Point1_1	Point1_0
F5	Display Ptr 0 high byte	PointArray0_1	No	00	Display	--	--	Point0_13	Point0_12	Point0_11	Point0_10	Point0_9	Point0_8
F6	Display Ptr 0 low byte	PointArray0_0	No	00	Display	Point0_7	Point0_6	Point0_5	Point0_4	Point0_3	Point0_2	Point0_1	Point0_0
F7			No	00									

Add	Long name	Short Name	Bit Add	Reset Value	Location	Bit7	Bit 6	Bit 5	Bit 4	Bit 3	Bit 2	Bit1	Bit 0
F8	Display OSD control	OSD_ctrl	Yes	00	Display					En_Ld_Cu r	En_DGOut	Dis_Cor	Dis_Blank
F9	Reserved**		No	00									
FA	Reserved**		No	00									
FB			No	00									
FC			No	00									
FD	Reserved**		No	80									
FE			No	00									
FF	Reserved**		No	0F									

* Red addresses are controller fix addresses.

** These registers are for internal use of the device. Do not write in these locations.

All the bits marked with -- and "Reserved" are reserved.

As a general rule. Software should always only write to the bits which it wants to change all other bits implemented or not should be masked in order to avoid problems with future versions.

3.1 Additional registers

Default after reset: 00_H **CSCR0** SFR Address DD_H
 (MSB) (LSB)

--	--	ENETCLK	ENERCLK	P4_7_Alt	VS_OE	O_E_P3_0	O_E_Pol
----	----	---------	---------	----------	-------	----------	---------

-- Not used

ENETCLK UART baud rate clk source bits
ENERCLK Selects between 6 MHz and system clock. See test documentation. For internal use only.

P4_7_Alt Selects the output function of the port
 0: Port function is selected
 1: Port 4.7 alternate function is selected (see VS_OE)
 For inut port mode or slave mode VS input mode, port must be switched to input mode by writing 1 to the port latch

VS_OE 0: P4.7 alternate output mode, Odd/Even selected
 1: P4.7 alternate output mode, Vertical Sync selected.
 Refer to display chapter, register SCR0, for Vertical Sync details

O_E_P3_0	0: Port 3.0 port mode selected 1: Port 3.0 works as a Odd/even output
P_E_POL	0: Odd =1, Even = 0 1: Odd=0, Even = 1 Note polarity is true for both P3.0 and P4.7

Preliminary & Confidential

SFR Overview

Default after reset: 00_H

CSCR1

SFR Address DE_H

(MSB)

(LSB)

IntSrc1	IntSrc0	–	–	ENARW	$\overline{A19_P4_4}$	$\overline{A18_P4_1}$	$\overline{A17_P4_0}$
---------	---------	---	---	-------	-------------------------	-------------------------	-------------------------

IntSrc0	0: Port 3.3 is the source of the interrupt 1: SSU is the source of interrupt, (Application note: Use with SEL = 1)
IntSrc1	0: Port 3.2 is the source of the interrupt 1: SSU is the source of interrupt, (Application note: Use with SEL = 0)
--	Not used
--	Not used
ENARW	0: Port P4.2 and P4.3 function as port pins. 1: Port P4.2 and P4.3 function as RD and WR signal outputs.
$\overline{A19_P4_4}$	0: Pin functions as Address line 1: Pin function as port.
$\overline{A18_P4_1}$	0: Pin functions as Address line 1: Pin function as port.
$\overline{A17_P4_0}$	0: Pin functions as Address line 1: Pin function as port.

4 Clock System

4.1 General Function

The on-chip clock generator provides the TVTpro with its basic clock signals that controls all activities of the hardware. Its oscillator runs with an external crystal and appropriate oscillator circuitry (refer to "Application Diagram"). For applications with low accuracy requirements (RTC is not used) the external oscillator circuit can also be a ceramic resonator. Depending on the absolute tolerance of the resonator the slicer may not work correctly. Moreover the display timings and baudrate prescaler have to be adapted in appropriate way. In some applications the timing reference given by the horizontal frequency of the CVBS signal can be used to measure the timing tolerance and to adjust the programming.

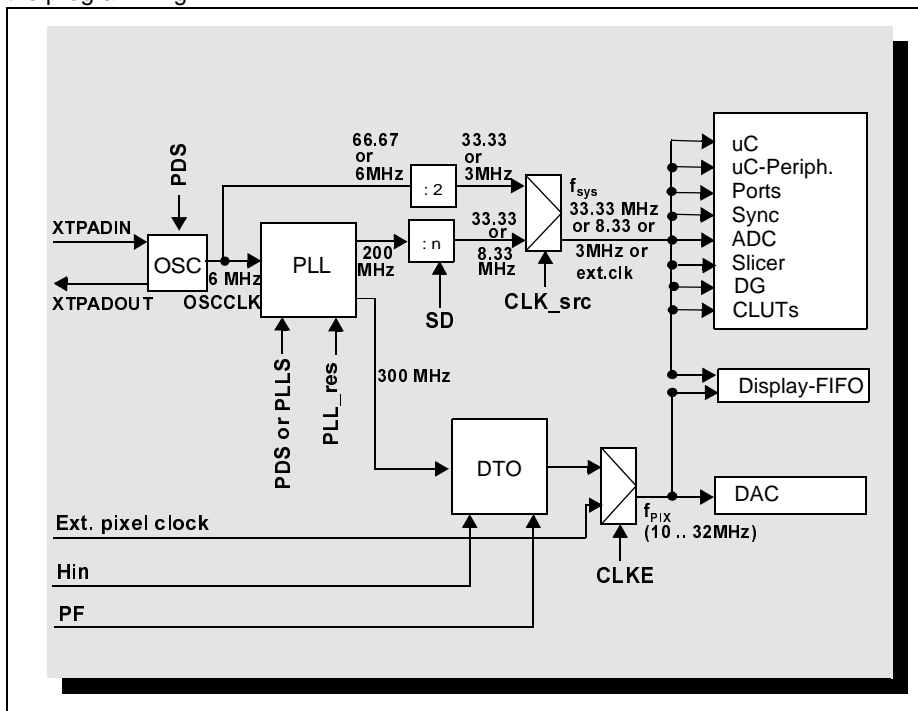


Figure 5 Clock System of TVTpro

The on-chip phase locked loop (PLL) which is internally running at 300 MHz is fed by the oscillator or can be bypassed to reduce the power consumption. If it is not required to wake up immediately the PLL can also be switched off.

From the output frequency of the PLL two clock systems are derived:

The 33.33 MHz system clock (f_{CPU}) provides the processor, all processor related peripherals, the sync timing logic, the A/D converters, the slicer, the DG and the CLUTs. It will be possible to use 8.33MHz (1/4 of 33.33MHz) for the system clock domain (slow down mode).

Moreover the user is able to send the PLL into a power save mode (SFR-bit PLLS=1). **Attention:** Before the PLL is switched to power save mode (PLLS=1), the software has to switch the clock source from 200MHz PLL-clock to the 3MHz oscillator-clock (SFR bit CLK_src=1). In this mode the Slicer, Acquisition, DAC and Display Generator are switched off.

To switch back, the software has to end the PLL power save mode (SFR-bit PLLS=0), reset the PLL for 10 μ s (3 machine cycles, SFR bit PLL_res='1', then '0' again), then wait 150 μ s (38 machine cycles) and switch back to the PLL clock (SFR-bit PLL_src=0).

If Power Down Mode is activated, PLL and Oscillator are send to sleep (SFR bit PDS=1; refer to chapter 'Power Saving Modes')

Furthermore there are additional possibilities to disable the clocks for the peripherals. Please refer to chapter 'Power Saving Modes'.

The second clock system is the pixel clock (f_{PIX}), which is programmable in a range from 10.. 32MHz. It serves the output part of the display FIFO and the D/A converters. The pixel clock is derived from the high frequent output of the PLL and line by line phase shifted to the positive edge of the horizontal sync signal (normal polarity). Because the final display clock is derived from a DTO (digital time oscillator) it has no equidistant clock periods although the average frequency is exact. The pixel clock can also be inserted by an external source which has a fixed and stable phase to an external horizontal sync. This pixel clock generation system has several advantages:

- The frequency of the pixel clock can be programmed independently from the horizontal line period.
- Because the input of the PLL is already a signal with a relative high frequency, the resulting pixel frequency has an extremely low jitter.
- The resulting pixel clock follows the edge of the H-sync impulse without any delay and has always the same quality than the sync timing of the deflection controller.

4.2 Register Description

Default after reset: 01_H **PCLK1** SFR-Address DA
 (MSB) (LSB)

					PF(10)	PF(9)	PF(8)
--	--	--	--	--	--------	-------	-------

PF(10..8): Pixel Frequency factor (MSBs)
 for detailed information refer to PCLK0

Default after reset: 48_H **PCLK0** SFR-Address DB
 (MSB) (LSB)

PF(7)	PF(6)	PF(5)	PF(4)	PF(3)	PF(2)	PF(1)	PF(0)
-------	-------	-------	-------	-------	-------	-------	-------

PF(7..0): Pixel Frequency factor (LSBs)
 This register defines the relation between the output pixel frequency and the frequency of the crystal. The pixel frequency does not depend on the line frequency. It can be calculated by the following formula:

$$f_{\text{pixel}} = \text{PF} * 300\text{MHz} / 8192$$

The pixel frequency can be adjusted in steps of 36,6 KHz. After power-on this register is set to 328_D. So, the default pixel frequency is set to 12.01 MHz.

Attention: Register values greater than 874 generate pixel frequencies which are outside of the specified boundaries.

Preliminary & Confidential

Clock System

Default after reset: 00h

PCON

SFR-Address 87_H

(MSB)

(LSB)

SMOD	PDS	IDLS	SD	GF1	GF0	PDE	IDLE
------	-----	------	----	-----	-----	-----	------

SMOD

refer to power saving modes

PDS

Power Down Start Bit

0: Power Down Mode not started

1: Power Down Mode started

The instruction that sets this bit is the last instruction before entering power down mode. Additionally, this bit is protected by a delay cycle. Power down mode is entered, if and only if bit PDE was set by the previous instruction. Once set, this bit is cleared by hardware and always reads out a 0.

PLL and Oscillator are switched off during Power Down.

IDLS

refer to power saving modes

SD

refer to power saving modes

GFx

refer to power saving modes

PDE

refer to power saving modes

IDLE

refer to power saving modes

Preliminary & Confidential

Clock System

Default after reset: 00_h
(MSB)

PSAVEX

SFR-Address D7_H
(LSB)

					CLK_src	PLL_res	PLLS
--	--	--	--	--	---------	---------	------

- PLLS** 0: PLL is running
 1: PLL is disabled. The system clock is switched to the 6MHz oscillator clock. The slicer acquisition and the display generator are switched off.
 Note: Bit PLLS can only be set, if bit CLK_src=1.
-
- PLL_rst** 0: no PLL reset
 1: PLL hold in reset
-
- CLK_src** 0: System clock (33.3MHz) derived from 200MHz PLL-clock
 1: System clock (3MHz) derived from 6MHz oscillator clock

*Note: Before the PLL is switched to power save mode (PLLS=1), the SW has to switch the clock source from 200MHz PLL-clock to the 3MHz oscillator-clock (CLK_src=1). In this mode the Slicer, Acquisition, DAC and Display Generator are switched off.
 To switch back, the SW has to end the PLL power save mode (PLLS=0), reset the PLL for 10µs (3 machine cycles, PLL_res='1', then '0' again), then wait 150µs (38 machine cycles) and switch back to the PLL clock (CLK_src=0).*



SDA 55xx

Preliminary & Confidential

Clock System

5 Slicer and Acquisition

5.1 General Function

TVTpro provides a full digital slicer including digital H- and V-sync separation and digital sync processing. The acquisition interface is capable to process on all known data services starting from line 6 to line 23 for TV (Teletext, VPS, CC, G+, WSS). Four different framing codes (two of them programmable from field to field) are available for each field. Digital signal processing algorithms are applied to compensate various disturbance mechanisms. These are:

- Noise measurement and compensation.
- Attenuation measurement and compensation.
- Group delay measurement and compensation.

Note: Thus, TVTpro is optimized for precise data clock recovery and error free reception of data widely unaffected from noise and the currently valid channel characteristics.

The CVBS input contains an on-chip clamping circuit. The integrated A/D converter is a 7 bit video converter running at the internal frequency of 33.33 MHz.

The sliced data is synchronized to the clock frequency given by the clock-run-in and to the framing code of the data stream, framing code checked and written to a programmable VBI buffer. After line 23 is received an interrupt can be given to the microcontroller. The microcontroller starts to process the data of this buffer. That means, the data is error checked by software and stored in the memory.

To improve the signal quality the slicer control logic generates horizontal and vertical windows in which the reception of the framing code is allowed. The framing code can be programmed for each line individually, so that in each line a different service can be received. For VPS and WSS the framing code is hardwired. All follow up acquisition tasks are performed by the internal controller, so in principal the data of every data service can be acquired.

5.2 Slicer Architecture

The slicer is composed of three main blocks:

- The slicer
- The H/V synchronization for the slicer
- The acquisition interface

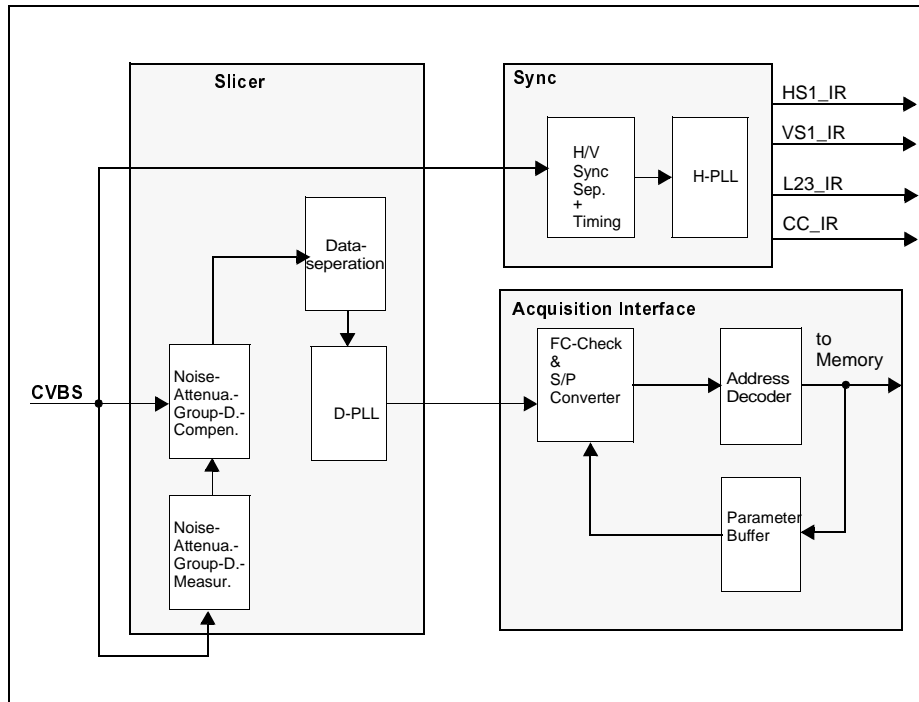


Figure 6 Block Diagram of Digital Slicer and Acquisition Interface

5.2.1 Distortion Processing

After A/D conversion the digital CVBS bit stream is applied to a circuitry which corrects for transmission distortion. In order to apply the right algorithm for correcting, a signal measurement is done in parallel. This measurement device can detect the following distortions.

Noise

The value of the back porch is called black level and known to the system. Therefore the back porch can be used to measure the noise distortion by just measuring the differences between the black value and the actual sampled value at the back porch. A flag is set as soon as this differences over several TV lines are greater than a specified value. This flag is used to switch on the noise suppression algorithm in the data correcting circuit.

Frequency Attenuation

During signal transmission the CVBS is attenuated severely. This attenuation normally is frequency depending. That means that the higher the frequency the stronger the attenuation. As the clock-run-in (from now on CRI) for teletext represents the highest possible frequency (3.5MHz) it can be used to measure the attenuation. As only strong negative attenuation causes problems during data slicing a flag is needed to notify highly negative attenuation. If this flag is set a special peaking filter is switched on in the correcting circuit part.

Group Delay

Quite often the data stream is corrupted because of group delay distortion introduced by the transmission channel. The teletext framing code (E_{4H}) is used as a reference for measurement. The delay of the edges inside this code can be used to measure the group delay distortion. The measurement is done every teletext line and filtered over several lines. It can be detected whether the signal has positive, negative or no group delay distortions. Two flags are set accordingly. By means of this two flags an allpass contained in the correcting circuit is configured to compensate the positive or negative group delays.

5.2.2 Data Separation

Parallel to the signal analyses and distortion compensation a filter is calculating the slicing level. The slicing level is the mean-value of the CRI. As the teletext is coded using the NRZ format, the slicing level can not be calculated outside the CRI and is therefore frozen after CRI. Using this slicing level the data is separated from the digital CVBS signal. The result is a stream of zeros and ones. In order to find the logical zeros and ones which have been transmitted, the data clock needs to be recovered. Therefore a digital data PLL (D-PLL) is synchronized to the data clock during CRI using the transitions in the sliced data stream. This D-PLL is also frozen after CRI.

Timing informations for freezing the slicing level, stopping the D-PLL and other actions are generated by the timing circuit. It generates all control signals which are synchronized to the data start.

5.3 H/V-Synchronization

Slicer and acquisition interface need a lot of signals which have to be synchronized to the incoming CVBS (e.g. line number, field or line start). Therefore a sync slicing level is calculated and the sync signal is sliced from the filtered digital CVBS signal. Using digital integration vertical and horizontal sync pulses are separated. The horizontal pulses are fed into a digital H-PLL which has flywheel functionality. The H-PLL includes a counter which is used to generate all the necessary horizontal control signals. The vertical sync

is used to synchronize the line counter, which is used to generate the vertical control signals.

The synchronization block includes a watchdog which keeps control of the actual lock condition of the H-PLL. The watchdog can produce an interrupt (CC_IR) if synchronization has been lost. It could therefore be an indication for a channel change or missing input signal.

5.4 Acquisition Interface

The acquisition interface manages the data transfer between both slicers and memory. First of all a bit synchronization is performed (FC-check). Following this, the data is paralleled and as 8bit words shifted into memory. In the other direction parameters are loaded from memory to the slicer. This parameter down loading takes place after the vertical sync and after horizontal sync. The parameters are used for slicer configuration.

The data acquisition supports several features. The FC-check is able to handle four different framing codes for one field. Two of this framing codes are programmable and could therefore be changed from field to field. The acquisition can be switched from normal mode (line 6 to 23) to full channel mode (line 6 to end of field).

5.4.1 FC-Check

There are four FC's which are compared to the incoming signal. The first one is 8-bit wide and is loaded down with the field parameters. The second one is 16-bit wide and fixed to the FC of VPS. The third one is 16-bit wide as well, but can be loaded with the field parameters. If the third one is used, the user can specify not only the FC but also a don't-care mask. The fourth FC is reserved for WSS. The actual FC can be changed line by line.

FC1

This FC should be used for all services with 8-bit framing codes (e.g. for TTX). The actual framing code is loaded down each field. The check can be done without any error tolerance or with a one bit error tolerance.

FCVPS

This FC is fixed to that of VPS. Only an error free signal will enable the reception of the VPS data line.

Note: If VPS should be sliced in field 1 and TTX in field 2 the appropriate line parameters for line 16 have to be changed dynamically from field to field.

FC3

This 16-bit framing code is loaded with the field parameters as well as a don't care mask. The incoming signal is compared with both, framing code and don't care mask. Further reception is enabled if all bits which are not don't care match the incoming data stream.

FCWSS

This FC is fixed to that of WSS. Only an error free signal will enable the reception of the WSS data line.

FC-Check Select

There is a two bit line parameter called FCSEL. By means of this parameter the user will be able to select which FC-Check is used for the actual line. If NORM is set to WSS the WSS FCcheck is used independently of FCSEL.

5.4.2 Interrupts

Some events which occur inside the slicer, sync separation or acquisition interface should cause an interrupt. They are summarized in register CISR0 and CISR1. The hardware sets the associated interrupt flag which must be manually reset by software before the next interrupt can be accepted.

5.4.3 VBI Buffer and Memory Organization

Slicer and acquisition interface need parameters for configuration and produce status information for the CPU.

Some of these parameters and status bits are constant for a field. Those parameters are called field parameters. They are downloaded after the vertical sync.

Other parameters and status bits may change from line to line (e.g. data service depending values). Those parameters are called line parameters. They are downloaded after each horizontal sync impulse.

The start address of the VBI buffer can be configured with a special function register 'STRVBI'. 9 bytes are needed for the field parameter. 47 byte should be reserved for every sliced data line. If 18 lines of data (in full channel mode 314) have been send to memory no further acquisition takes place until the next vertical pulse appears and the H-PLL is still locked. That means if at least 855 Bytes (14767 Bytes in full channel mode) are reserved for the VBI buffer no VBI overflow is possible. The acquisition can be started and stopped by the controller using bit 'ACQON' of register STRVBI. The acquisition is stopped as soon as this bit changed to '0'. If the bit is changed back to '1' the acquisition starts again with the next V-pulse (only if STAB=1). The start address (Bit



3..0 of register STRVBI) of the VBI buffer should only be changed if the acquisition is switched off.

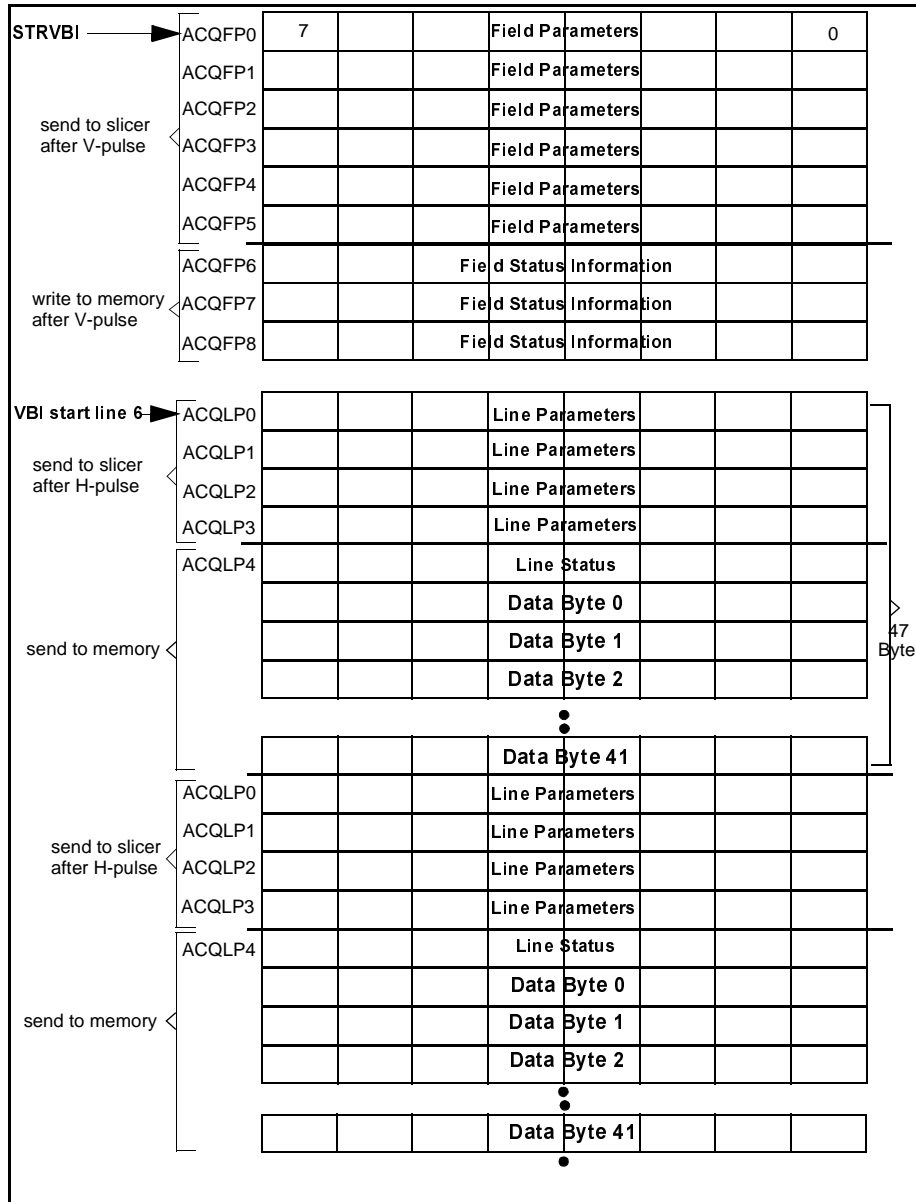


Figure 7 VBI Buffer: General Structure

5.5 Register Description

The acquisition interface has only two SFR Registers. The line and field parameters are stored in the RAM (RAM Registers). They have to be initialized by software before starting the acquisition.

Special Function Registers:

Default after reset: 00_H **STRVBI** SFR-Address D9_H

(MSB)

(LSB)

ACQON	reserved	ACQSTA		VBIADR	VBIADR	VBIADR	VBIADR
-------	----------	--------	--	--------	--------	--------	--------

VBIADR: Defines the 4 MSB's of the start address of the VBI buffer (the LSB's are fixed to '0' by hardware). The VBI buffer location can be aligned to any 1 KByte memory segment.

ACQSTA **First Framing code after vertical sync:**
 0: No framing code after vertical sync has been detected
 1: Framing code after vertical sync has been detected.
Note: The bit is set by hardware and cleared by software.

ACQON: **Enable Acquisition:**
 0: The ACQ interface does not access memory (immediately inactive)
 1: The ACQ interface is active and writes data to memory (switching on is synchronous to V)

Preliminary & Confidential

Slicer and Acquisition

Default after reset: 00_H

CISR0 bit addressable

SFR Address C0_H

(MSB)

(LSB)

L24	ADC	WTmr	AVS	DVS	PWtmr	AHS	DHS
-----	-----	------	-----	-----	-------	-----	-----

- L24** 1: Line 24 start interrupt occurred, source bit set by hardware, source bit must be reset by software after entering the interrupt service routine
0: No Line 24 start interrupt has occurred.

- ADC** refer to chapter Interrupt

- WTmr** refer to chapter Interrupt

- AVS** 1: Acquisition vertical sync interrupt source bit set by hardware
0: Acquisition vertical sync interrupt source bit must be reset by software

- DVS** refer to chapter Interrupt

- PWtmr** refer to chapter Interrupt

- AHS** 1: Acquisition horizontal sync interrupt source bit set by hardware
0: Acquisition horizontal sync interrupt source bit must be reset by software

- DHS** refer to chapter Interrupt

Preliminary & Confidential

Slicer and Acquisition

Default after reset: 00_H

CISR1 bit addressable

SFR Address C8_H

(MSB)

(LSB)

CC	ADW					IEX1	IEX0
----	-----	--	--	--	--	------	------

CC 1: Channel change interrupt source bit set by hardware
 0: Chanel change interrupt source bit must be reset by software

ADW refer to chapter Interrupt

IEX1 refer to chapter Interrupt

IEX0 refer to chapter Interrupt

Note: The interrupt request flags of the ACQ interrupt subnode have to be cleared by software inside the interrupt service routine.

5.5.1 RAM Registers

Field Parameters

All field parameters are updated once in a field. That means the status information written from the acquisition interface to the memory represent only a snapshot of the status.

Default after reset: 00_H

ACQFP0

(MSB)

(LSB)

FC3(15)	FC3(14)	FC3(13)	FC3(12)	FC3(11)	FC3(10)	FC3(9)	FC3(8)
---------	---------	---------	---------	---------	---------	--------	--------

FC3(15..8): Framing code 3 (High Byte)
 Bit 15: First received bit of FC.

Preliminary & Confidential

Slicer and Acquisition

Default after reset: 00_H

ACQFP1

(MSB)

(LSB)

FC3(7)	FC3(6)	FC3(5)	FC3(4)	FC3(3)	FC3(2)	FC3(1)	FC3(0)
--------	--------	--------	--------	--------	--------	--------	--------

FC3(7..0): Framing code 3 (Low Byte)
 Bit 0: Last received bit of FC.

Default after reset: 00_H

ACQFP2

(MSB)

(LSB)

FC3MASK (15)	FC3MASK (14)	FC3MASK (13)	FC3MASK (12)	FC3MASK (11)	FC3MASK (10)	FC3MASK (9)	FC3MASK (8)
-----------------	-----------------	-----------------	-----------------	-----------------	-----------------	----------------	----------------

FC3MASK(15..8) Mask for Framing code 3 (High Byte)
 Bit 15: Mask for first received bit of FC.

Default after reset: 00_H

ACQFP3

(MSB)

(LSB)

FC3MASK (7)	FC3MASK (6)	FC3MASK (5)	FC3MASK (4)	FC3MASK (3)	FC3MASK (2)	FC3MASK (1)	FC3MASK (0)
----------------	----------------	----------------	----------------	----------------	----------------	----------------	----------------

FC3MASK(7..0): Mask for Framing code 3 (Low Byte)
 Bit 0: Mask for last received bit of FC.

Preliminary & Confidential

Slicer and Acquisition

Default after reset: 00_H

ACQFP4

(MSB)

(LSB)

FC1(7)	FC1(6)	FC1(5)	FC1(4)	FC1(3)	FC1(2)	FC1(1)	FC1(0)
--------	--------	--------	--------	--------	--------	--------	--------

FC1(7..0): Framing code 1

Bit 7: First received bit of FC

Bit 0: Last received bit of FC

Default after reset: 00_H

ACQFP5

(MSB)

(LSB)

AGDON	AFRON	ANOON	GDPON	GDNON	FREON	NOION	FULL
-------	-------	-------	-------	-------	-------	-------	------

- FULL:** 0: Full channel mode off
1: Full channel mode on

Note: Don't forget to reserve enough memory for the VBI buffer and to initialize the appropriate line parameters.

- NOION:** 0: Noise compensation depends on ANOON
1: Noise compensation is always on

- FREON:** 0: Frequency depending attenuation compensation depends on AFRON
1: Frequency depending attenuation compensation is always on

- GDNON:** 0: Group delay compensation depends on AGDON
1: Negative group delay compensation is always on

- GDPON:** 0: Group delay compensation depends on AGDON
1: Positive group delay compensation is always on

- ANOON:** **Automatic noise compensation**
0: Compensation Off
1: Compensation On
(Automatic: measurement depending compensation)

AFRON: Automatic frequency depending attenuation
 0: Compensation Off
 1: Compensation On
 (Automatic: measurement depending compensation)

AGDON: Automatic group delay
 0: Compensation Off
 1: Compensation On
 (Automatic: Measurement Depending Compensation)

Default after reset: 00_H

ACQFP6

(MSB)

(LSB)

	CC	STAB	VDOK	FIELD	NOISE	GRDON	GRDSIGN
--	----	------	------	-------	-------	-------	---------

GRDSIGN: Group delay detector
 0: If group delay distortion has been detected it was positive.
 1: If group delay distortion has been detected it was negative.
 (Written to memory by ACQ-interface)

GRDON: Group delay detector
 0: No group delay distortion detected.
 1: Group delay distortion detected.
 (Written to memory by ACQ-interface)

NOISE: Noise detector
 0: No noise detected.
 1: Noise detected.
 (Written to memory by ACQ-interface)

FIELD: Field detector
 0: Actual field is field 1
 1: Actual field is field 2
 (Written to memory by ACQ-interface)

- VDOK: Vertical sync watchdog**
 0: There was no vertical sync during stable horizontal synchronization
 1: There was at least one vertical sync during stable horizontal synchronization
 (Written to memory by ACQ-interface)
- STAB: Horizontal sync watchdog**
 0: H-PLL of not locked.
 1: H-PLL of locked.
 (Written to memory by ACQ-interface)
- CC: Vertical sync watchdog of slicer 1.**
 0: The number of lines between two vertical syncs is stable.
 1: The number of lines between two vertical syncs changed suddenly.
 (Written to memory by ACQ-interface)

Default after reset: 00_H

ACQFP7

(MSB)

(LSB)

				LEOFI (11)	LEOFI (10)	LEOFI (9)	LEOFI (8)
--	--	--	--	---------------	---------------	--------------	--------------

LEOFI(11..8): Length of line (MSB's)
 Bit 3: MSB

Default after reset: 00_H

ACQFP8

(MSB)

(LSB)

LEOFI (7)	LEOFI (6)	LEOFI (5)	LEOFI (4)	LEOFI (3)	LEOFI (2)	LEOFI (1)	LEOFI (0)
--------------	--------------	--------------	--------------	--------------	--------------	--------------	--------------

LEOFI(7..0): Length of line (LSB's)
 Bit 0: LSB

Line Parameters

Default after reset: 00_H

ACQLP0

(MSB)

(LSB)

DINCR(15)	DINCR(14)	DINCR(13)	DINCR(12)	DINCR(11)	DINCR(10)	DINCR(9)	DINCR(8)
-----------	-----------	-----------	-----------	-----------	-----------	----------	----------

DINCR(15..8): Data PLL Frequency Select (High Byte)

Specifies the frequency of the D-PLL of slicer 1. This parameter is used to configure the D-PLL output frequency according to the service used.

$$DINCR = f_{data} * 2^{18} / 33.33MHz$$

f_{data} [MHz]	DINCR
6.9375	54559
5.7273	45041
5.0	39321
1.006993	7920

Default after reset: 00_H

ACQLP1

(MSB)

(LSB)

DINCR(7)	DINCR(6)	DINCR(5)	DINCR(4)	DINCR(3)	DINCR(2)	DINCR(1)	DINCR(0)
----------	----------	----------	----------	----------	----------	----------	----------

DINCR(7..0): Data PLL Frequency Select (Low Byte)
(refer to ACQLP0)

Default after reset: 00_H

ACQLP2

(MSB)

(LSB)

NORM(2)	NORM(1)	NORM(0)	FCSEL(1)	FCSEL(0)	FC1ER	VCR	MATCH
---------	---------	---------	----------	----------	-------	-----	-------

MATCH: The data start recognition matches the incoming data with a sequence of three data bits. MATCH decides whether this matching sequence is alternating or steady.

0: Alternating (a '010' or '101' triggers data start).

1: Steady ('111' triggers data start).

VCR: This bit is used to change the behavior of the D-PLL. (corresponds to slicer 1)

0: D-PLL tuning is stopped after CRI.

1: D-PLL is tuned throughout the line

FC1ER: If this bit is '1' the FC1 check is performed with one bit error tolerance.

0: no error tolerance for FC1-check

1: one bit error tolerance for FC1-check

FCSEL(1..0) There are three different framing codes which can be used for each field. The framing code used for the actual line is selected with FCSEL (corresponds to slicer 1).

FCSEL	FC
00	FC1
01	FC2
10	FC3
11	No FC-check

NORM(2..0) Most timing signals are closely related to the actual data service used. Therefore 3 bits are reserved to specify the timing for the service used in the actual line. (corresponds to slicer 1)

NORM	Service
000	TXT
001	NABTS
010	VPS
011	WSS
100	CC
101	G+
110	reserved
111	no data service

Default after reset: 00_H

ACQLP3

(MSB)

(LSB)

MLENGTH (2)	MLENGTH (1)	MLENGTH (0)	ALENGTH (1)	ALENGTH (0)	CLKDIV (2)	CLKDIV (1)	CLKDIV (0)
----------------	----------------	----------------	----------------	----------------	---------------	---------------	---------------

CLKDIV(1..0): The slicing level filter needs to find the DC value of the CVBS during CRI. In order to do this it should suppress at least the CRI frequency. As different services use different data frequencies the CRI frequency will be different as well. Therefore the filter characteristic needs to be shifted. This can be done by using different clocks for the filter. The filter itself shows sufficient suppression for frequencies between $0.0757 \cdot SL_{CLK}$ and $0.13 \cdot SL_{CLK}$ (SL_{CLK} is the actual filter clock and corresponds to slicer 1)

CLKDIV	SL _{CLK}
000	$1 \cdot f_s$
001	$1/2 \cdot f_s$
010	$1/3 \cdot f_s$
011	$1/4 \cdot f_s$
100	$1/5 \cdot f_s$
101	$1/6 \cdot f_s$
110	$1/7 \cdot f_s$
111	$1/8 \cdot f_s$

Note: $f_s = 33.33MHz$

ALENGTH(2..0): If noise has been detected or if NOISEON=1 the output of the slicing level filter is further averaged by means of an accumulation (arithmetic averaging). ALENGTH specifies the number of slicing level filter output values used for averaging. The accumulation clock depends on CLKDIV.

ALENGTH	Number of Slicing Level Output Values used for Averaging
00	2
01	4
10	8
11	16

MLENGTH(2..0): For noise suppression reasons a median filter has been introduced after the actual data separation because of over sampling successive samples could be averaged. Therefore an odd number of sliced successive samples is taken and if the majority are '1' a '1' is sliced otherwise a '0'. MLENGTH specifies how many samples are taken. (Corresponds to slicer 1)

MLENGTH	Number of samples
000	1
001	3
010	5
011	7
100	9
101	11
110	13
111	15

Default after reset: 00_H

ACQLP4

(MSB)

(LSB)

							FCOK
--	--	--	--	--	--	--	------

FCOK:

Framing Code Received.

- 0: No framing code has been detected (no new data has been written to memory)
- 1: The selected framing code has been detected (new data has been written to memory)

5.5.2 Recommended Parameter Settings

	TTX	VPS	WSS	CC	G+
AGDON	1	0	0	0	0
AFRON	1	0	0	0	0
ANOON	1	1	1	1	1
GDPON	0	0	0	0	0
GDNON	0	0	0	0	0
FREON	0	0	0	0	0
NOION	0	0	0	0	0
DINCR	54559	39321	39321	7920	7920
FC1E	0	0	0	0	0
MLENGTH	1	2	7	7	7
ALENGTH	2	2	2	2	2
CLKDIV	0	0	2	5	5
NORM	0	2	3	4	5
FCSEL	0	1	2	2	2
VCR	0	0	0	0	0
MATCH	0	0	0	0	0
FC1	228	don't care	don't care	don't care	don't care
FC3	don't care	don't care	don't care	3	1261
FC3MASK	don't care	don't care	don't care	63	2047



SDA 55xx

Preliminary & Confidential

Slicer and Acquisition

6 Microcontroller

6.1 Architecture

Every cpu machine cycle consists of 12 internal cpu clock period.

The CPU manipulates operands in two memory spaces: the program memory space, and the data memory space. The program memory address space is provided to accommodate relocatable code.

The data memory address space is divided into the 256-byte internal data RAM, XRAM (extended data memory, accessible with MOVX instructions) and the 128-byte Special Function Register (SFR) address spaces. Four register banks (each bank has eight registers), 128 addressable bits, and the stack reside in the internal data RAM. The stack depth is limited only by the available internal data RAM. Its location is determined by the 8-bit stack pointer. All registers except the program counter and the four 8-register banks reside in the special function register address space. These memory mapped registers include arithmetic registers, pointers, I/O-ports, registers for the interrupt system, timers, pulse width modulator, capture control unit, watchdog timer, UART, display, acquisition control etc. Many locations in the SFR address space are addressable as bits.

Note that reading from unused locations within data memory will yield undefined data.

Conditional branches are performed relative to the 16 bit program counter. The register-indirect jump permits branching relative to a 16-bit base register with an offset provided by an 8-bit index register. Sixteen-bit jumps and calls permit branching to any location in the memory address space.

The processor has five methods for addressing source operands: register, direct, register-indirect, immediate, and base register plus index register-indirect addressing.

The first three methods can be used for addressing destination operands. Most instructions have a 'destination, source' field that specifies the data type, addressing methods and operands involved. For operations other than moves, the destination operand is also a source operand.

Registers in the four 8-register banks can be accessed through register, direct, or register-indirect addressing; the lower 128 bytes of internal data RAM through direct or register-indirect addressing, the upper 128 bytes of internal data RAM through register-indirect addressing; and the special function registers through direct addressing. Look-up tables resident in program memory can be accessed through base register plus index register-indirect addressing.

6.1.1 CPU-Hardware

6.1.1.1 Instruction Decoder

Each program instruction is decoded by the instruction decoder. This unit generates the internal signals that control the functions of each unit within the CPU section. These signals control the sources and destination of data, as well as the function of the Arithmetic/Logic Unit (ALU).

6.1.1.2 Program Control Section

The program control section controls the sequence in which the instructions stored in program memory are executed. The conditional branch logic enables conditions internal and external to the processor to cause a change in the sequence of program execution. The 16-bit program counter holds the address of the instruction to be executed. It is manipulated with the control transfer instructions listed in chapter 'Instruction Set'.

6.1.1.3 Internal Data RAM

The internal data RAM provides a 256-byte scratch pad memory, which includes four register banks and 128 direct addressable software flags. Each register bank contains registers R0 ... R7. The addressable flags are located in the 16-byte locations starting at byte address 20_H and ending with byte location 2F_H of the RAM address space.

In addition to this standard internal data RAM the processor contains an extended internal RAM. It can be considered as a part of an external data memory. It is referenced by MOVX instructions (MOVX A, @DPTR), the memory organization is explained in the chapter Memory.

6.1.1.4 Arithmetic/Logic Unit (ALU)

The arithmetic section of the processor performs many data manipulation functions and includes the Arithmetic/Logic Unit (ALU) and the A-, B- and PSW registers. The ALU accepts 8-bit data words from one or two sources and generates an 8-bit result under the control of the instruction decoder. The ALU performs the arithmetic operations of add, subtract, multiply, divide, increment, decrement, BCD-decimal-add adjust and compare, and the logic operations of and, or, exclusive-or, complement and rotate (right, left, or nibble swap).

The A-register is the accumulator, the B-register is dedicated during multiply and divide and serves as both a source and a destination. During all other operations the B-register is simply another location of the special function register space and may be used for any purpose.

6.1.1.5 Boolean Processor

The Boolean processor is an integral part of the processor architecture. It is an independent bit processor with its own instruction set, its own accumulator (the carry flag) and its own bit-addressable RAM and I/O. The bit manipulation instructions allow the direct addressing of 128 bits within the internal data RAM and several bits within the special function registers. The special function registers which have addresses exactly divisible by eight contain directly addressable bits.

The Boolean processor can perform, on any addressable bit, the bit operations of 'set', 'clear', 'complement', 'jump-if-set', 'jump-if-not-set', 'jump-if-set then-clear' and 'move to/from carry'. Between any addressable bit (or its complement) and the carry flag it can perform the bit operation of logical AND or logical OR with the result returned to the carry flag.

6.1.1.6 Program Status Word Register (PSW)

The PSW flags record processor status information and control the operation of the processor. The carry (CY), auxiliary carry (AC), two user flags (F0 and F1), register bank select (RS0 and RS1), overflow (OV) and parity (P) flags reside in the program status word register. These flags are bit-memory-mapped within the byte-memory-mapped PSW. The CY, AC, and OV flags generally reflect the status of the latest arithmetic operations. The CY flag is also the Boolean accumulator for bit operations. The P-flag always reflects the parity of the A-register. F0 and F1 are general purpose flags which are pushed onto the stack as part of a PSW save. The two register bank select bits (RS1 and RS0) determine which one of the four register banks is selected as follows:

Table 16

RS1	RS0	Register Bank	Register Location
0	0	0	00 _H ... 07 _H
0	1	1	08 _H ... 0F _H
1	0	2	10 _H ... 17 _H
1	1	3	18 _H ... 1F _H

Reset: 00_h Program Status Word **PSW** SFR Address D0_H
 (MSB) (LSB)

CY	AC	F0	RS1	RS0	OV	F1	P
----	----	----	-----	-----	----	----	---

6.1.1.7 Stack Pointer (SP)

The 8-bit stack pointer contains the address at which the last byte was pushed onto the stack. This is also the address of the next byte that will be popped. The SP is

incremented during a push. SP can be read or written to under software control. The stack may be located anywhere within the internal data RAM address space and may be as large as 256 bytes. Note that for memory above 64K, memory extension stack is used, refer to Chapter Memory Extension.

6.1.1.8 Data Pointer Register (DPTR)

The 16-bit Data Pointer Register DPTR is the concatenation of registers DPH (high-order byte) and DPL (low-order byte). The DPTR is used in register-indirect addressing to move program memory constants and to access the extended data memory. DPTR may be manipulated as one 16-bit register or as two independent 8-bit registers DPL and DPH.

Eight data pointer registers are available, the active one is selected by a special function register (DPSEL).

Default after reset: 00_H **DPL** SFR Address 84_H
 (MSB) (LSB)

DPL_7	DPL_6	DPL_5	DPL_4	DPL_3	DPL_2	DPL_1	DPL_0
-------	-------	-------	-------	-------	-------	-------	-------

DPL_X Data Pointer low byte

Default after reset: 00_H **DPH** SFR Address 84_H
 (MSB) (LSB)

DPH_7	DPH_6	DPH_5	DPH_4	DPH_3	DPH_2	DPH_1	DPH_0
-------	-------	-------	-------	-------	-------	-------	-------

DPH_X Data Pointer high byte

Default after reset: 00_H **DPSEL** SFR Address 84_H
 (MSB) (LSB)

					DPSEL_2	DPSEL_1	DPSEL_0
--	--	--	--	--	---------	---------	---------

DPSEL_X Selects one of the eight Data Pointers

6.1.2 CPU Timing

Timing generation is completely self-contained, except for the frequency reference which can be a crystal or external clock source. The on-board oscillator is a parallel anti-resonant circuit. The XTAL2 pin is the output of a high-gain amplifier, while XTAL1 is its input. A crystal connected between XTAL1 and XTAL2 provides the feedback and phase shift required for oscillation.

In slowdown mode, processor runs at one fourth the normal frequency. This mode is useful when power consumption needs to be reduced. Slow down mode is entered by setting the bit SD in PCON register.

Note: Any Slow-down mode should only be used if teletext reception and the display are disabled. Otherwise processing of the incoming text data might be incomplete and the display structure will be corrupted. For disabling acquisition and display generator refer to chapter Power saving modes

6.1.3 Addressing Modes

There are five general addressing modes operating on bytes. One of these five addressing modes, however, operates on both bytes and bits:

- Register
- Direct (both bytes and bits)
- Register-indirect
- Immediate
- Base register plus index-register indirect

The following table summarizes, which memory spaces may be accessed by each of the addressing modes:

Register Addressing

R0 ... R7
ACC, B, CY (bit), DPTR

Direct Addressing

RAM (low part)
Special Function Registers

Register-indirect Addressing

RAM (@R1, @R0, SP)

Immediate Addressing

Program Memory

Base Register plus Index-Register Indirect Addressing

Program Memory (@DPTR + A, @PC + A)

6.1.3.1 Register Addressing

Register addressing accesses the eight working registers (R0 ... R7) of the selected register bank. The PSW register flags RS1 and RS0 determine which register bank is enabled. The least significant three bits of the instruction opcode indicate which register is to be used. ACC, B, DPTR and CY, the Boolean processor accumulator, can also be addressed as registers.

6.1.3.2 Direct Addressing

Direct byte addressing specifies an on-chip RAM location (only low part) or a special function register. Direct addressing is the only method of accessing the special function registers. An additional byte is appended to the instruction opcode to provide the memory location address. The highest-order bit of this byte selects one of two groups of addresses: values between 00_H ... 7F_H access internal RAM locations, while values between 80_H ... 0FF_H access one of the special function registers.

6.1.3.3 Register-indirect Addressing

Register-indirect addressing uses the contents of either R0 or R1 (in the selected register bank) as a pointer to locations in the 256 bytes of internal RAM. Note that the special function registers are not accessible by this method.

Execution of PUSH and POP instructions also use register-indirect addressing. The stack pointer may reside anywhere in internal RAM.

6.1.3.4 Immediate Addressing

Immediate addressing allows constants to be part of the opcode instruction in program memory.

An additional byte is appended to the instruction to hold the source variable. In the assembly language and instruction set, a number sign (#) precedes the value to be used, which may refer to a constant, an expression, or a symbolic name.

6.1.3.5 Base Register plus Index Register-indirect Addressing

Base register plus index register-indirect addressing allows a byte to be accessed from program memory via an indirect move from the location whose address is the sum of a

base register (DPTR or PC) and index register, ACC. This mode facilitates accessing to look-up table resident in program memory.

6.2 Ports and I/O-Pins

There are 34 Port pins available, out of which are 24 I/O-pins are configured as three 8-bit ports P0, P1, and P3. Port 4, consists of 6 I/O bits, out of which 3 are available in SDIP52, all 6 bits are available in rest of the packages. Each pin can be individually and independently programmed as input or output and each can be configured dynamically. One 4-bit-port P2 is input only.

An instruction that uses a port's bit/byte as a source operand reads a value that is the logical AND of the last value written to the bit/byte and the polarity being applied to the pin/pins by an external device (this assumes that none of the processor's electrical specifications are being violated). An instruction that reads a bit/byte, operates on the content, and writes the result back to the bit/byte, reads the last value written to the bit/byte instead of the logic level at the pin/pins. Pins comprising a single port can be made a mixed collection of inputs and outputs by writing a 'one' to each pin that is to be an input. Each time an instruction uses a port as the destination, the operation must write 'ones' to those bits that correspond to the input pins. An input to a port pin needs not to be synchronized to the oscillator.

All the port latches have 'one' s written to them by the reset function. If a 'zero' is subsequently written to a port latch, it can be reconfigured as an input by writing a 'one' to it.

The instructions that perform a read of, operation on, and write to a port's bit/byte are INC, DEC, CPL, JBC, SETB, CLR, MOV P.X, CJNE, DJNZ, ANL, ORL, and XRL. The source read by these operations is the last value that was written to the port, without regard to the levels being applied at the pins. This insures that bits written to a 'one' (for use as inputs) are not inadvertently cleared.

Port 0 has an open-drain output. Writing a 'one' to the bit latch leaves the output transistor off, so the pin floats.

In that condition it can be used as a high-impedance input. Port 0 is considered 'true bidirectional', because when configured as an input it floats.

Ports 1, 3 and 4 have 'quasi-bidirectional' output drivers.

In ports P1, P3 and P4 the output drivers provide source current for one system clock period if, and only if, software updates the bit in the output latch from a 'zero' to an 'one'. Sourcing current only on 'zero to one' transition prevents a pin, programmed as an input, from sourcing current into the external device that is driving the input pin.

Port	I/O	Default function	Alternate Function 2		Alternate Function 3	
			Toggle	Function	Toggle	Function
			Control bit	Function	Control bit	Function
P0(0..7)	I/O	Port pin				
P1(0)	I/O	Port pin	PWME(E0)	PWM 8 bit channel 0		
P1(1)	I/O	Port pin	PWME(E1)	PWM 8 bit channel 1		
P1(2)	I/O	Port pin	PWME(E2)	PWM 8 bit channel 2		
P1(3)	I/O	Port pin	PWME(E3)	PWM 8 bit channel 3		
P1(4)	I/O	Port pin	PWME(E4)	PWM 8 bit channel 4		
P1(5)	I/O	Port pin	PWME(E5)	PWM 8 bit channel 5		
P1(6)	I/O	Port pin	PWME(E6)	PWM 14 bit channel 0		
P1(7)	I/O	Port pin	PWME(E7)	PWM 14 bit channel 1		
P2(0)	I	Port pin	CADCCO(AD0)	ADC channel 0		
P2(1)	I	Port pin	CADCCO(AD1)	ADC channel 1		
P2(2)	I	Port pin	CADCCO(AD2)	ADC channel 2		
P2(3)	I	Port pin	CADCCO(AD3)	ADC channel 3		
P3(0)	I/O	Port pin	CSCR0(O_E_P3_0)	ODD/Even indicator		
P3(1)	I/O	Port pin	Port input mode	External extra Int 0	Port output mode	TXD
P3(2)	I/O	Port pin	Port input mode	External interrupt 0		
P3(3)	I/O	Port pin	Port input mode	External interrupt 1		
P3(4)	I/O	Port pin	Port input mode	Timer/counter 0 input		
P3(5)	I/O	Port pin	Port input mode	Timer/counter 0 input		
P3(6)	I/O	Port pin				
P3(7)	I/O	Port pin	Port input mode	External extra Int 1	Port input mode	RXD
P4(0) ¹⁾	I/O	A17	CSCR1(A17_P4_0)	Port pin		
P4(1) ¹⁾	I/O	A18	CSCR1(A18_P4_1)	Port pin		
P4(2)	I/O	Port pin	CSCR1(ENARW)	Read signal		
P4(3)	I/O	Port pin	CSCR1(ENARW)	Write signal		
P4(4) ¹⁾	I/O	A19	CSCR1(A19_P4_4)	Port pin		
P4(7)	I/O	Port/VS in	CSCR0(VS_OE, P4_7_ALT)	VS output	CSCR0(VS_OE, P4_7_ALT)	OddEven output

1) Not available in SDIP52

It is not allowed to drive Port 3.6 to logic low level while reset state changes from the active to inactive state otherwise a special test mode is activated.

Secondary functions can be selected individually and independently for the pins of port 1 and 3. Further information on port 1's secondary functions is given in chapter 'Pulse Width Modulation Unit'. P3 generates the secondary control signals automatically as long as the pin corresponding to the appropriate signal is programmed as an input, i. e. if the corresponding bit latch in the P3 special function register contains a 'one'.

Read Modify-Write Feature

'Read-modify-write' commands are instructions that read a value, possibly change it, and then rewrite it to the latch. When the destination operand is a port or a port bit, these instructions read the latch rather than the pin. The read-modify-write instructions are listed in table 8.

The read-modify-write instructions are directed to the latch rather than the pin in order to avoid a possible misinterpretation of the voltage level at the pin. For example, a port bit might be used to drive the base of a transistor. When a 'one' is written to the bit, the transistor is turned on.

If the CPU then reads the same port bit at the pin rather than the latch, it will read the base voltage of the transistor and interpret it as a 0. Reading the latch rather than the pin will return the correct value of 'one'.

Figure 8

Read-Modify-Write Instructions

Mnemonic	Description	Example
ANL	logical AND	ANL P1, A
ORL	logical OR	ORL P2, A
XRL	logical EX – OR	XRL P3, A
JBC	jump if bit = 1 and clear bit	JBC P1.1, LABEL
CPL	complement bit	CPL P3.0
INC	increment	INC P1
DEC	decrement	DEC P1
DJNZ	decrement and jump if not zero	DJNZ P3, LABEL
MOV PX.Y, C¹⁾	move carry bit to bit Y of Port X	MOV P1.7, C
CLR PX.Y¹⁾	clear bit Y of Port X	CLR P2.6
SET PX.Y¹⁾	set bit Y of Port X	SET P3.5

¹⁾ The instruction reads the port byte (all 8 bits), modifies the addressed bit, then writes the new byte back to the latch

6.3 Instruction Set

The assembly language uses the same instruction set and the same instruction opcodes as the 8051 microcomputer family.

6.3.1 Notes on Data Addressing Modes

Rn – Working register R0 – R7.

direct– 128 internal RAM-locations, any I/O-port, control or status register.

@Ri– Indirect internal RAM-location addressed by register R0 or R1.

#data– 8-bit constant included in instruction.

#data 16–16-bit constant included as bytes 2 & 3 of instruction.

bit – 128 software flags, any I/O-pin, control or status bit in special function registers.

Operations working on external data memory (MOVX ...) are used to access the extended internal data RAM (XRAM).

6.3.2 Notes on Program Addressing Modes

addr 16– Destination address for LCALL & LJMP may be anywhere within the program memory address space.

addr 11– Destination address for ACALL & AJMP will be within the same 2 Kbyte of the following instruction.

rel – SJMP and all conditional jumps include an 8-bit offset byte. Range is + 127/ – 128 bytes relative to first byte of the following instruction.

6.3.3 Instruction Set Description

Figure 9

Arithmetic Operations

Mnemonic	Description	Byte
ADDA, Rn	Add register to Accumulator	1
ADDA, direct	Add direct byte to Accumulator	2
ADDA, @Ri	Add indirect RAM to Accumulator	1
ADDA, #data	Add immediate data to Accumulator	2
ADDCA, Rn	Add register to Accumulator with Carry flag	1
ADDCA, direct	Add direct byte to A with Carry flag	2
ADDCA, @Ri	Add indirect RAM to A with Carry flag	1
ADDCA, #data	Add immediate data to A with Carry flag	2
SUBBA, Rn	Subtract register from A with Borrow	1
SUBBA, direct	Subtract direct byte from A with Borrow	2
SUBBA, @Ri	Subtract indirect RAM from A with Borrow	1
SUBBA, #data	Subtract immediate data from A with Borrow	2
INCA	Increment Accumulator	1
INCRn	Increment register	1
INCdirect	Increment direct byte	2
INC@Ri	Increment indirect RAM	1
DECA	Decrement Accumulator	1
DECRn	Decrement register	1
DECdirect	Decrement direct byte	2
DEC@Ri	Decrement indirect RAM	1
INCDPTR	Increment Data Pointer	1
MULAB	Multiply A & B	1
DIVAB	Divide A & B	1
DAA	Decimal Adjust Accumulator	1

Figure 10

Logical Operations

Mnemonic	Description	Byte
ANLA, Rn	AND register to Accumulator	1
ANLA, direct	AND direct byte to Accumulator	2
ANLA, @Ri	AND indirect RAM to Accumulator	1
ANLA, #data	AND immediate data to Accumulator	2
ANLdirect, A	AND Accumulator to direct byte	2
ANLdirect, #data	AND immediate data to direct byte	3
ORLA, Rn	OR register to Accumulator	1
ORLA, direct	OR direct byte to Accumulator	2
ORLA, @Ri	OR indirect RAM to Accumulator	1
ORLA, #data	OR immediate data to Accumulator	2
ORLdirect, A	OR Accumulator to direct byte	2
ORLdirect, #data	OR immediate data to direct byte	3
XRLA, Rn	Exclusive-OR register to Accumulator	1
XRLA, direct	Exclusive-OR direct byte to Accumulator	2
XRLA, @Ri	Exclusive-OR indirect RAM to Accumulator	1
XRLA, #data	Exclusive-OR immediate data to Accumulator	2
XRLdirect, A	Exclusive-OR Accumulator to direct byte	2
XRLdirect, #data	Exclusive-OR immediate data to direct	3
CLRA	Clear Accumulator	1
CPLA	Complement Accumulator	1
RLA	Rotate Accumulator left	1
RLCA	Rotate A left through the Carry flag	1
RRA	Rotate Accumulator right	1
RRCA	Rotate A right through Carry flag	1
SWAPA	Swap nibbles within the Accumulator	1

Figure 11
Data Transfer Operations

Mnemonic	Description	Byte
MOVA, Rn	Move register to Accumulator	1
MOVA, direct	Move direct byte to Accumulator	2
MOVA, @Ri	Move indirect RAM to Accumulator	1
MOVA, #data	Move immediate data to Accumulator	2
MOVRn, A	Move Accumulator to register	1
MOVRn, direct	Move direct byte to register	2
MOVRn, #data	Move immediate data to register	2
MOVdirect, A	Move Accumulator to direct byte	2
MOVdirect, Rn	Move register to direct byte	2
MOVdirect, direct	Move direct byte to direct	3
MOVdirect, @Ri	Move indirect RAM to direct byte	2
MOVdirect, #data	Move immediate data to direct byte	3
MOV@Ri, A	Move Accumulator to indirect RAM	1
MOV@Ri, direct	Move direct byte to indirect RAM	2
MOV@Ri, #data	Move immediate data to indirect RAM	2
MOVDPTR, #data 16	Load Data Pointer with a 16-bit constant	3
MOVCA@A + DPTR	Move Code byte relative to DPTR to Accumulator	1
MOVCA@A + PC	Move Code byte relative to PC to Accumulator	1
MOVXA, @Ri	Move External RAM (8-bit addr) to Accumulator ¹⁾	1
MOVXA, @DPTR	Move External RAM (16-bit addr) to Accumulator	1
MOVX@Ri, A	Move A to External RAM (8-bit addr) ¹⁾	1
MOVX@DPTR, A	Move A to External RAM (16-bit addr)	1
PUSHdirect	Push direct byte onto stack	2
POPdirect	Pop direct byte from stack	2
XCHA, Rn	Exchange register with Accumulator	1
XCHA, direct	Exchange direct byte with Accumulator	2
XCHA, @Ri	Exchange indirect RAM with Accumulator	1
XCHDA, @Ri	Exchange low-order digital indirect RAM with A ¹⁾	1

¹⁾ not applicable

Figure 12
Boolean Variable Manipulation

Mnemonic	Description	Byte
CLR C	Clear Carry flag	1
CLR bit	Clear direct bit	2
SETB C	Set Carry flag	1
SETB bit	Set direct bit	2
CPL C	Complement Carry flag	1
CPL bit	Complement direct bit	2
ANL C, bit	AND direct bit to Carry flag	2
ANL C, /bit	AND complement of direct bit to Carry	2
ORL C, bit	OR direct bit to Carry flag	2
ORL C, /bit	OR complement of direct bit to Carry	2
MOV C, bit	Move direct bit to Carry flag	2
MOV bit, C	Move Carry flag to direct bit	2

Figure 13
Program and Machine Control Operations

Mnemonic	Description	Byte
ACALL addr 11	Absolute subroutine call	2
LCALL addr 16	Long subroutine call	3
RET	Return from subroutine	1
RETI	Return from interrupt	1
AJMP addr 11	Absolute jump	2
LJMP addr 16	Long jump	3
SJMP rel	Short jump (relative addr)	2
JMP @A + DPTR	Jump indirect relative to the DPTR	1
JZ rel	Jump if Accumulator is zero	2
JNZ rel	Jump if Accumulator is not zero	2
JC rel	Jump if Carry flag is set	2
JNC rel	Jump if Carry flag is not set	2
JB bit, rel	Jump if direct bit set	3
JNB bit, rel	Jump if direct bit not set	3
JBC bit, rel	Jump if direct bit is set and clear bit	3
CJNE A, direct rel	Compare direct to A and jump if not equal	3
CJNE A, #data, rel	Compare immediate to A and jump if not equal	3
CJNE Rn, #data, rel	Compare immediate to register and jump if not equal	3
CJNE @Ri, #data, rel	Compare immediate to indirect and jump if not equal	3
DJNZ Rn, rel	Decrement register and jump if not zero	2
DJNZ direct, rel	Decrement direct and jump if not zero	3
NOP	No operation	1

6.3.4 Instruction Opcodes in Hexadecimal Order

Figure 14

Instruction Opcodes in Hexadecimal Order

Hex Code	Number of Bytes	Mnemonic	Operands
00	1	NOP	
01	2	AJMP	code addr
02	3	LJMP	code addr
03	1	RR	A
04	1	INC	A
05	2	INC	data addr
06	1	INC	@R0
07	1	INC	@R1
08	1	INC	R0
09	1	INC	R1
0A	1	INC	R2
0B	1	INC	R3
0C	1	INC	R4
0D	1	INC	R5
0E	1	INC	R6
0F	1	INC	R7
10	3	JBC	bit addr, code addr
11	2	ACALL	code addr
12	3	LCALL	code addr
13	1	RRC	A
14	1	DEC	A
15	2	DEC	data addr
16	1	DEC	@R0
17	1	DEC	@R1
18	1	DEC	R0
19	1	DEC	R1
1A	1	DEC	R2
1B	1	DEC	R3
1C	1	DEC	R4

Figure 14
Instruction Opcodes in Hexadecimal Order (cont'd)

Hex Code	Number of Bytes	Mnemonic	Operands
1D	1	DEC	R5
1E	1	DEC	R6
1F	1	DEC	R7
20	3	JB	bit addr, code addr
21	2	AJMP	code addr
22	1	RET	
23	1	RL	A
24	2	ADD	A, #data
25	2	ADD	A, data addr
26	1	ADD	A, @R0
27	1	ADD	A, @R1
28	1	ADD	A, R0
29	1	ADD	A, R1
2A	1	ADD	A, R2
2B	1	ADD	A, R3
2C	1	ADD	A, R4
2D	1	ADD	A, R5
2E	1	ADD	A, R6
2F	1	ADD	A, R7
30	3	JNB	bit addr, code addr
31	2	ACALL	code addr
32	1	RETI	
33	1	RLC	A
34	2	ADDC	A, #data
35	2	ADDC	A, data addr
36	1	ADDC	A, @R0
37	1	ADDC	A, @R1
38	1	ADDC	A, R0
39	1	ADDC	A, R1
3A	1	ADDC	A, R2

Figure 14

Instruction Opcodes in Hexadecimal Order (cont'd)

Hex Code	Number of Bytes	Mnemonic	Operands
3B	1	ADDC	A, R3
3C	1	ADDC	A, R4
3D	1	ADDC	A, R5
3E	1	ADDC	A, R6
3F	1	ADDC	A, R7
40	2	JC	code addr
41	2	AJMP	code addr
42	2	ORL	data addr., A
43	3	ORL	data addr, #data
44	2	ORL	A, #data
45	2	ORL	A, data addr
46	1	ORL	A, @R0
47	1	ORL	A, @R1
48	1	ORL	A, R0
49	1	ORL	A, R1
4A	1	ORL	A, R2
4B	1	ORL	A, R3
4C	1	ORL	A, R4
4D	1	ORL	A, R5
4E	1	ORL	A, R6
4F	1	ORL	A, R7
50	2	JNC	code addr
51	2	ACALL	code addr
52	2	ANL	data addr, A
53	3	ANL	data addr, #data
54	2	ANL	A, #data
55	2	ANL	A, data addr
56	1	ANL	A, @R0
57	1	ANL	A, @R1
58	1	ANL	A, R0

Figure 14
Instruction Opcodes in Hexadecimal Order (cont'd)

Hex Code	Number of Bytes	Mnemonic	Operands
59	1	ANL	A, R1
5A	1	ANL	A, R2
5B	1	ANL	A, R3
5C	1	ANL	A, R4
5D	1	ANL	A, R5
5E	1	ANL	A, R6
5F	1	ANL	A, R7
60	2	JZ	code addr
61	2	AJMP	code addr.
62	2	XRL	data addr, A
63	3	XRL	data addr, #data
64	2	XRL	A, #data
65	2	XRL	A, data addr
66	1	XRL	A, @R0
67	1	XRL	A, @R1
68	1	XRL	A, R0
69	1	XRL	A, R1
6A	1	XRL	A, R2
6B	1	XRL	A, R3
6C	1	XRL	A, R4
6D	1	XRL	A, R5
6E	1	XRL	A, R6
6F	1	XRL	A, R7
70	2	JNZ	code addr
71	2	ACALL	code addr
72	2	ORL	C, bit addr
73	1	JMP	@A + DPTR
74	2	MOV	A, #data
75	3	MOV	data addr, #data
76	2	MOV	@R0, #data

Figure 14

Instruction Opcodes in Hexadecimal Order (cont'd)

Hex Code	Number of Bytes	Mnemonic	Operands
77	2	MOV	@R1, #data
78	2	MOV	R0, #data
79	2	MOV	R1, #data
7A	2	MOV	R2, #data
7B	2	MOV	R3, #data
7C	2	MOV	R4, #data
7D	2	MOV	R5, #data
7E	2	MOV	R6, #data
7F	2	MOV	R7, #data
80	2	SJMP	code addr
81	2	AJMP	code addr
82	2	ANL	C, bit addr
83	1	MOVC	A, @A + PC
84	1	DIV	AB
85	3	MOV	data addr, data addr
86	2	MOV	data addr, @R0
87	2	MOV	data addr, @R1
88	2	MOV	data addr, R0
89	2	MOV	data addr, R1
8A	2	MOV	data addr, R2
8B	2	MOV	data addr, R3
8C	2	MOV	data addr, R4
8D	2	MOV	data addr, R5
8E	2	MOV	data addr, R6
8F	2	MOV	data addr, R7
90	3	MOV	DPTR, #data 16
91	2	ACALL	code addr
92	2	MOV	bit addr, C
93	1	MOVC	A, @A + DPTR
94	2	SUBB	A, #data

Figure 14
Instruction Opcodes in Hexadecimal Order (cont'd)

Hex Code	Number of Bytes	Mnemonic	Operands
95	2	SUBB	A, data addr
96	1	SUBB	A, @R0
97	1	SUBB	A, @R1
98	1	SUBB	A, R0
99	1	SUBB	A, R1
9A	1	SUBB	A, R2
9B	1	SUBB	A, R3
9C	1	SUBB	A, R4
9D	1	SUBB	A, R5
9E	1	SUBB	A, R6
9F	1	SUBB	A, R7
A0	2	ORL	C, /bit addr
A1	2	AJMP	code addr
A2	2	MOV	C, bit addr
A3	1	INC	DPTR
A4	1	MUL	AB
A5		reserved	
A6	2	MOV	@R0, data addr
A7	2	MOV	@R1, data addr
A8	2	MOV	R0, data addr
A9	2	MOV	R1, data addr
AA	2	MOV	R2, data addr
AB	2	MOV	R3, data addr
AC	2	MOV	R4, data addr
AD	2	MOV	R5, data addr
AE	2	MOV	R6, data addr
AF	2	MOV	R7, data addr
B0	2	ANL	C, /bit addr
B1	2	ACALL	code addr
B2	2	CPL	bit addr

Figure 14
Instruction Opcodes in Hexadecimal Order (cont'd)

Hex Code	Number of Bytes	Mnemonic	Operands
B3	1	CPL	C
B4	3	CJNE	A, #data, code addr
B5	3	CJNE	A, data addr, code addr
B6	3	CJNE	@R0, #data, code addr
B7	3	CJNE	@R1, #data, code addr
B8	3	CJNE	R0, #data, code addr
B9	3	CJNE	R1, #data, code addr
BA	3	CJNE	R2, #data, code addr
BB	3	CJNE	R3, #data, code addr
BC	3	CJNE	R4, #data, code addr
BD	3	CJNE	R5, #data, code addr
BE	3	CJNE	R6, #data, code addr
BF	3	CJNE	R7, #data, code addr
C0	2	PUSH	data addr
C1	2	AJMP	code addr
C2	2	CLR	bit addr
C3	1	CLR	C
C4	1	SWAP	A
C5	2	XCH	A, data addr
C6	1	XCH	A, @R0
C7	1	XCH	A, @R1
C8	1	XCH	A, R0
C9	1	XCH	A, R1
CA	1	XCH	A, R2
CB	1	XCH	A, R3
CC	1	XCH	A, R4
CD	1	XCH	A, R5
CE	1	XCH	A, R6
CF	1	XCH	A, R7
D0	2	POP	data addr

Figure 14
Instruction Opcodes in Hexadecimal Order (cont'd)

Hex Code	Number of Bytes	Mnemonic	Operands
D1	2	ACALL	code addr
D2	2	SETB	bit addr
D3	1	SETB	C
D4	1	DA	A
D5	3	DJNZ	data addr, code addr
D6	-	not applicable	
D7	-	not applicable	
D8	2	DJNZ	R0, code addr
D9	2	DJNZ	R1, code addr
DA	2	DJNZ	R2, code addr
DB	2	DJNZ	R3, code addr
DC	2	DJNZ	R4, code addr
DD	2	DJNZ	R5, code addr
DE	2	DJNZ	R6, code addr
DF	2	DJNZ	R7, code addr
E0	1	MOVX	A, @DPTR
E1	2	AJMP	code addr
E2	-	not applicable	
E3	-	not applicable	
E4	1	CLR	A
E5	2	MOV	A, data addr
E6	1	MOV	A, @R0
E7	1	MOV	A, @R1
E8	1	MOV	A, R0
E9	1	MOV	A, R1
EA	1	MOV	A, R2
EB	1	MOV	A, R3
EC	1	MOV	A, R4
ED	1	MOV	A, R5
EE	1	MOV	A, R6

Figure 14

Instruction Opcodes in Hexadecimal Order (cont'd)

Hex Code	Number of Bytes	Mnemonic	Operands
EF	1	MOV	A, R7
F0	1	MOVX	@DPTR, A
F1	2	ACALL	code addr
F2	-	not applicable	
F3	-	not applicable	
F4	1	CPL	A
F5	2	MOV	data addr, A
F6	1	MOV	@R0, A
F7	1	MOV	@R1, A
F8	1	MOV	R0, A
F9	1	MOV	R1, A
FA	1	MOV	R2, A
FB	1	MOV	R3, A
FC	1	MOV	R4, A
FD	1	MOV	R5, A
FE	1	MOV	R6, A
FF	1	MOV	R7, A

7 Interrupts

7.1 Interrupt System

External events and the real-time on-chip peripherals require CPU service asynchronous to the execution of any particular section of code. To couple the asynchronous activities of these functions to normal program execution, a sophisticated multiple-source, four-priority-level, nested interrupt system is provided.

7.2 Interrupt Sources

The TVT processor is capable of handling upto 24 interrupt sources. In SDA55xx 17 interrupts are implemented rest are reserved for future use. Processor acknowledges interrupt requests from 17 sources. Two external sources via the $\overline{\text{INT0}}$ and $\overline{\text{INT1}}$ pins and two additional external interrupts $\overline{\text{INTX0}}$ and $\overline{\text{INTX1}}$ are provided. Peripherals also use interrupts. One from each of the two internal counters, one from the analog digital converter and one from UART. In addition there are four Acquisition related interrupts, two display related interrupts and one interrupt indicating change of channel, two interrupts are generated by WDT and PWM overflow in timer mode.

Timer 0 and Timer 1 interrupts are generated by TCON.TF0 and TCON.TF1 following a rollover in their respective registers (except in Mode 3 when TCON.TH0 controls the Timer 1 interrupt).

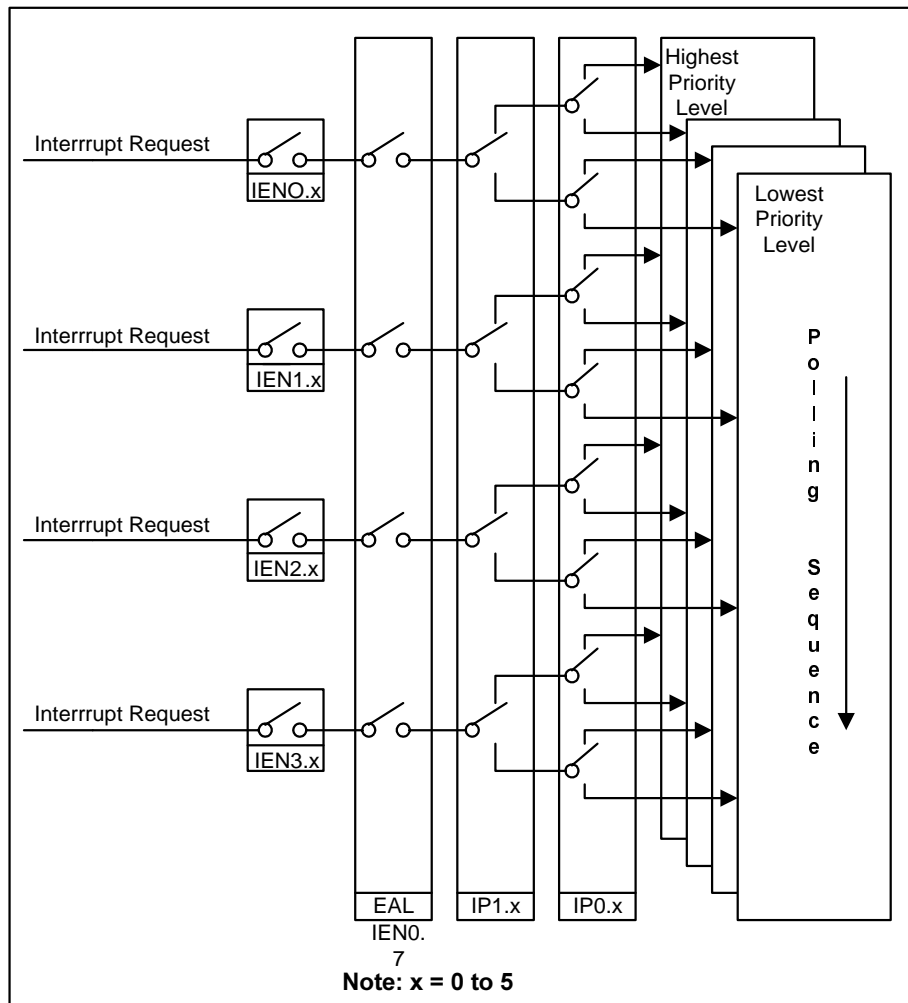
The external interrupts $\overline{\text{INT0}}$ and $\overline{\text{INT1}}$ are either level or edge triggered depending on bits in TCON and IRCON . Other external interrupts are level sensitive and active high. Any edge triggering will need to be taken care of by individual peripherals.

$\overline{\text{INTX0}}$ and $\overline{\text{INTX1}}$ can be programmed to be either negative or positive edge triggered.

The analog digital converter interrupt is generated on completion of the analog digital conversion.

7.3 Overview

A simple overview of the interrupt handling is shown in **Figure below**.



7.4 Enabling interrupts

Interrupts are enabled through a set of Interrupt Enable registers (IE0, IE1, IE2 and IE3).

Bits 0 to 5 of the Interrupt Enable registers each individually enable/disable a particular interrupt source. Overall control is provided by bit 7 of IE0 (EAL). When EAL is set to "0", all interrupts are disabled: when EAL is set to "1", interrupts are individually enabled or disabled through the other bits of the Interrupt Enable Registers. EAL may however be overridden by the DISINT signal which provides a global disable signal for the interrupt controller.

7.4.1 Interrupt Enable registers (IE0 IE1 IE2 IE3)

The processor has 4 Interrupt Enable registers. The details of the registers are as follows. For each bit in these registers, a 1 enables the corresponding interrupt and a 0 disables it.

Default after reset: 00 _H		IE0 bit addressable				SFR Address A8 _H	
(MSB)						(LSB)	
EAL	--	EAD	EU	ET1	EX1	ET0	EX0

EAL	Enable All Interrupts. When set to "0", all interrupts are disabled. When set to "1", interrupts are individually enabled/disabled according to their respective bit selection.
--	Reserved
EAD	Enable or disable Analog to digital convertor Interrupt .
EU	Enable or disable UART nterrupt.
ET1	Enable or disable Timer 1 Overflow Interrupt.
EX1	Enable or disable External Interrupt 1.
ET0	Enable or disable Timer 0 Overflow Interrupt.
EX0	Enable or disable External Interrupt 0.

Preliminary & Confidential

Interrupts

Default after reset: 00_H **IE1** SFR Address A9_H
 (MSB) (LSB)

-	-	EDV	EAV	EXX1	EWT	EXX0	EX6
---	---	-----	-----	------	-----	------	-----

-- Not implemented. Return "0" when read.

EDV Enable or disable Display V-Snc

EAV Enable or disable Acquisition V-Snc

EXX1 Enable or disable extra external interrupt 1

EWT Enable or disable Watchdog in timer mode

EXX0 Enable or disable extra External Interrupt 0.

EX6 Reserved

Default after reset: 00_H **IE2** SFR Address AA_H
 (MSB) (LSB)

-	-	EDH	EAH	ECC	EPW	EX13	EX12
---	---	-----	-----	-----	-----	------	------

-- Not implemented. Return "0" when read.

EDH Enable or disable Display H-Snc

EAH Enable or disable Acquisition H-Snc

ECC Enable or disable channel change interrupt

EPW Enable or disable PWM in timer mode

EX13 Reserved

EX12 Reserved

Preliminary & Confidential

Interrupts

Default after reset: 00_H **IE3** SFR Address AB_H
 (MSB) (LSB)

-	-	EADW	E24	EX21	EX20	EX19	EX18
---	---	------	-----	------	------	------	------

-- Not implemented. Return "0" when read.

EADW Enable or disable Analog to digital wake up unit

E24 Enable or disable line 24 interrupt

EX21 Reserved

EX20 Reserved

EX19 Reserved

EX18 Reserved

7.5 Interrupt source registers

All the interrupts except for timer 0, timer1, external interrupt 0, external interrupt1, external extra interrupt 0 and external extra interrupt 1 are generated by the respective blocks and are positive edge triggered. They are sampled in a central interrupt source register, corresponding bit must be cleared by the software after entering the interrupt service routine.

Preliminary & Confidential

Interrupts

Default after reset: 00_H **CISR0 bit addressable** SFR Address C0_H
 (MSB) (LSB)

L24	ADC	WTmr	AVS	DVS	PWtmr	AHS	DHS
-----	-----	------	-----	-----	-------	-----	-----

- L24** 1: Line 24 start interrupt occured, source bit set by hardware, Source bit must be reset by software after servicing the interupt.
0:Interrupt has not occurred.

- ADC** 1: Analog to digital conversion complete source bit set by hardware Source bit must be reset by software after servicing the interupt.
0:Interrupt has not occurred.

- WTmr** 1: Watchdog in timer mode overflow source bit set by hardware Source bit must be reset by software after servicing the interupt.
0:Interrupt has not occurred.
On reset this bit is intialized to 0, however if timer mode is selected and timer is running, every over flow of timer will set this bit. Therefore software must clear this bit before enabling the corresponding interrupt.

- AVS** 1: Acquisition vertical sync interrupt source bit set by hardware Source bit must be reset by software after servicing the interupt.
0:Interrupt has not occurred.

- DVS** 1: Display Vertical sync interrupt source bit set by hardware Source bit must be reset by software after servicing the interupt.
0:Interrupt has not occurred.

- PWtmr** 1: PWM in timer mode overflow interrupt source bit set by hardware Source bit must be reset by software after servicing the interupt.
0:Interrupt has not occurred.
On reset this bit is intialized to 0,however if timer mode is selected and timer is running, every over flow of timer will set this bit. Therefore software must clear this bit before enabling the corresponding interrupt.

- AHS** 1: Acquisition horizontal sync interrupt source bit set by hardware Source bit must be reset by software after servicing the interupt.
0:Interrupt has not occurred.

DHS 1: Display horizontal sync interrupt source bit set by hardware
Source bit must be reset by software after servicing the interrupt.
0:Interrupt has not occurred.

Default after reset: 00_H **CISR1 bit addressable** SFR Address C8_H

(MSB)

(LSB)

CC	ADW					IEX1	IEX0
----	-----	--	--	--	--	------	------

CC 1: Chanel change interrupt source bit set by hardware
Source bit must be reset by software after servicing the interrupt.
0:Interrupt has not occurred.

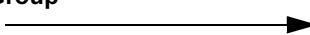

ADW 1: ADC wake up interrupt source bit set by hardware
Source bit must be reset by software after servicing the interrupt.
0:Interrupt has not occurred.

IEX1 External Extra Interrupt 1 edge flag. Set by hardware when external interrupt edge detected. Must be cleared by software. Note that port P3.7 must be in input mode to use this interrupt.

IEX0 External Extra Interrupt 0 edge flag. Set by hardware when external interrupt edge detected. Must be cleared by software. Note that port P3.1 must be in input mode to use this interrupt.

7.6 Interrupt priority

For the purposes of assigning priority, the 24 possible interrupt sources are divided into groups determined by their bit position in the Interrupt Enable Registers and their respective requests are scanned in the order shown below.

Interrupt Group	Interrupts in Group				Group Priority
	High Priority 				
0	External Interrupt 0	External Interrupt 6*	External Interrupt 12*	External Interrupt 18*	High Priority 
1	Timer 0	ExternalX Interrupt 0	External Interrupt 13*	External Interrupt 19*	
2	External Interrupt 1	WT Timer	PW Timer	External Interrupt 20*	
3	Timer 1	ExternalX Interrupt 1	Channel Change	External Interrupt 21*	
4	UART	Acquisition V-Sync	Acquisition H-Sync	Line 24 Start	
5	A to D	Display V-Sync	Display H-Sync	A to D Wake up	

* Not implemented

Each interrupt group may individually be assigned to one of four priority levels by writing to the IP0 and IP1 Interrupt Priority registers at the corresponding bit position.

An interrupt service routine may only be interrupted by an interrupt of higher priority level and if two interrupts of different priority occur at the same time, the higher level interrupt will be serviced first. An interrupt cannot be interrupted by another interrupt of the same or a lower priority level.

If two interrupts of the same priority level occur simultaneously, the order in which the interrupts are serviced is determined by the scan order shown above.

7.6.1 Interrupt Priority registers (IP0 IP1)

The Interrupt Priority registers are structured as follows.

Default after reset: 00 _H		IP0 bit addressable				SFR Address B8 _H	
(MSB)						(LSB)	
--	--	G5P0	G4P0	G3P0	G2P0	G1P0	G0P0

Default after reset: 00 _H		IP1				SFR Address AC _H	
(MSB)						(LSB)	
-	-	G5P1	G4P1	G3P1	G2P1	G1P1	G0P1

IP1.7-IP1.6, IP0.7-IP0.6 Not implemented. Return "0" when read.

GxP1,GxP0 (x=0 to 5) Interrupt Group Priority Level as follows:

- 0 0: Interrupt Group x is set to priority level 0 (lowest)
- 0 1: Interrupt Group x is set to priority level 1
- 1 0: Interrupt Group x is set to priority level 2
- 1 1: Interrupt Group x is set to priority level 3 (highest)

7.7 Interrupt Vectors

When an interrupt is serviced, a long call instruction is executed to one of the locations listed in the following table:

Interrupt Sources	Interrupt Enable		Vector Address (hex)	Interrupt Request Flag
	Register	Bit		
External Interrupt 0	IEN0	EX0	0003	IE0 (TCON.1)
Timer 0 Overflow	IEN0	ET0	000B	TF0 (TCON.5)
External Interrupt 1	IEN0	EX1	0013	IE1 (TCON.3)
Timer 1 Overflow	IEN0	ET1	001B	TF1 (TCON.7)
UART	IEN0	EU	0023	R1(SCON.0) and T1(SCON.1)
A to D	IEN0	EAD	002B	ADC(CISR0.6)
External Interrupt 6	IEN1	EX6	0033	Reserved
ExternalX Interrupt 0	IEN1	EXX0	003B	CISR1(IEX0)
Watchdog in timer	IEN1	EWT	0043	WTmr(CISR0.5)
External X Interrupt 1	IEN1	EXX1	004B	CISR1(IEX1)
Acquisition V-Sync	IEN1	EAV	0053	AVS(CISR0.4)
Display V-Sync	IEN1	EDV	005B	DVS(CISR0.3)
External Interrupt 12	IEN2	EX12	0063	Reserved
External Interrupt 13	IEN2	EX13	006B	Reserved
PWM in timer mode	IEN2	EPW	0083	PWtmr(CISR0.2)
Channel Change	IEN2	ECC	008B	CC(CISR1.7)
Acquisition H-Sync	IEN2	EAH	0093	AHS(CISR0.1)
Display H-Sync	IEN2	EDH	009B	DHS(CISR0.0)
External Interrupt 18	IEN3	EX18	00A3	Reserved
External Interrupt 19	IEN3	EX19	00AB	Reserved
External Interrupt 20	IEN3	EX20	00B3	Reserved
External Interrupt 21	IEN3	EX21	00BB	Reserved
Line 24 Start	IEN3	E24	00C3	L24(CISR0.7)
A to D Wake up	IEN3	EADW	00CB	ADW(CISR1.6)

7.8 Interrupt and memory extension

When an interrupt occurs, the Memory Management Unit (MMU) carries out the following sequence of actions:

1. The MEX1 register bits are made available on SDATAO [7:0].
2. The MEXSP register bits are made available on SADD[7:0].
3. The Stack read and write signals are set for a write operation.
4. A write is performed to External memory.
5. The MEXSP Stack Pointer is incremented.
6. The Interrupt Bank bits IB19 - IB16 (MEX2.3 - MEX2.0) are copied to both the NB19 - NB16 and the CB19 - CB16 bits in the MEX1.

Then on return from the interrupt service routine:

1. The MEXSP Stack Pointer is decremented.
2. The MEXSP register bits are made available on SADD [7:0].
3. The Stack read and write signals are set for a read operation.
4. A read is performed on External memory.
5. SDATAI [7:0] is copied to the MEX1 register.

This action allows the user to place interrupt service routines on specific banks.

7.9 Interrupt Handling

External interrupt 0, external interrupt 1, timer 0, timer 1 and UART interrupt are handled as following.

Interrupts are sampled at S5P2 in each machine cycle and the sampled interrupts polled during the following machine cycle. If an interrupt is set when it is sampled, it will be serviced provided:

- An interrupt of an equal or higher priority is not currently being serviced
- The polling cycle is not the final cycle of a multi-cycle instruction, and
- The current instruction is neither a RETI nor a write either to one of Interrupt Enable registers or to one of the Interrupt Priority registers.

Note: Active interrupts are only stored for one machine cycle. As a result, if an interrupt was active for one or more polling cycles but not serviced for one of the reasons given above, the interrupt will not be serviced.

For all other interrupts interrupt request is stored as an interrupt flag in CISR0 and CISR1. These request bits must be cleared by software while servicing the interrupt. These interrupts always gets serviced once raised regardless of number of polling cycles required to service them.

The rest of the functionality with regards to sampling from controller and requirements to start the service are same as discussed above.

7.10 Interrupt Latency

The response time in a single interrupt system is between 3 and 9 machine cycles.

7.11 Interrupt Flag Clear .

In case of external interrupt 0 and external interrupt 1, If the external interrupts are edge triggered, the interrupt flag is cleared on vectoring to the service routine but if they are level triggered, the flag is controlled by the external signal. Timer/counter flags are cleared on vectoring to the interrupt service routine. All other interrupt flag, including external extra interrupt 0 and 1 are not cleared by hardware. They must be cleared by software.

7.12 Interrupt return

For the proper operation of the interrupt controller. It is necessary that all interrupt routines end with a RETI instruction.

7.13 Interrupt Nesting

The process whereby a higher-level interrupt request interrupts a lower-level interrupt service program is called nesting. In this case the address of the next instruction in the lower-priority service program is pushed onto the stack, the stack pointer is incremented by two and processor control is transferred to the program memory location of the first instruction of the higher-level service program. The last instruction of the higher-priority interrupt service program must be a RETI-instruction. This instruction clears the higher 'priority-level-active' flip-flop. RETI also returns processor control to the next instruction of the lower-level interrupt service program. Since the lower 'priority-level-active' flip-flop

has remained set, higher priority interrupts are re-enabled while further lower-priority interrupts remain disabled.

7.14 External Interrupts

The external interrupt request inputs ($\overline{NINT0}$ and $\overline{NINT1}$) can be programmed for either transition- activated or level-activated operation. Control of the external interrupts is provided in the TCON register.

Default after reset: 00_H **TCON** SFR Address 88_H

(MSB)

(LSB)

TF1	TR1	TF0	TR0	IE1	IT1	IE0	IT0
-----	-----	-----	-----	-----	-----	-----	-----

IE1 Interrupt 1 edge flag. Set by hardware when external interrupt edge detected. Cleared when interrupt processed.

IT1 Interrupt 1 type control bit. Set/cleared by software to specify falling edge/low level triggered external interrupts. IT1 = 1 selects transition-activated external interrupts.

IE0 Interrupt 0 edge flag. Set by hardware when external interrupt edge detected. Cleared when interrupt processed.

IT0 Interrupt 0 type control bit. Set/cleared by software to specify falling edge/low level triggered external interrupts. IT0 = 1 selects transition-activated external interrupts.

TCON.7-4 See chapter 'General Purpose Timers/Counters'

7.15 Extension of Standard 8051 Interrupt Logic

For more flexibility, the SDA545x family provides a new feature in detection EX0 and EX1 in edge-triggered mode. Now there is the possibility to trigger an interrupt on the falling and / or rising edge at the dedicated Port3-Pin. In order to use this feature respective IT0 and IT1 bits in the TCON register must be set to activate edge triggering mode. Table below shows combination for Interupt 0,however description is trueforinterrupt 1 also.

IT0	EX0R	EX0F	Interrupt
0	0	0	Disabled

0	0	1	Low level
0	1	0	High level
0	1	1	Disabled
1	0	0	Disabled
1	0	1	Negative edge triggered
1	1	0	Positive edge triggered
1	1	1	Positive and negative edge triggered

Default after reset: 05_H **IRCON** SFR Address AD_H
 (MSB) (LSB)

EXX1R	EXX1F	EXX0R	EXX0F	EX1R	EX1F	EX0R	EX0F
-------	-------	-------	-------	------	------	------	------

- EXX1R** if set, ExternalX 1-interrupt detection on rising edge at Pin P3.7
- EXX1F** if set, ExternalX 1-interrupt detection on falling edge at Pin P3.7
- EXX0R** if set, ExternalX 0-interrupt detection on rising edge at Pin P3.1
- EXX0F** if set, ExternalX 0-interrupt detection on falling edge at Pin P3.1
- EX1R** if set, External 1-interrupt detection on rising edge at Pin P3.3
- EX1F** if set, External 1-interrupt detection on falling edge at Pin P3.3
- EX0R** if set, External 0-interrupt detection on rising edge at Pin P3.2
- EX0F** if set, External 0-interrupt detection on falling edge at Pin P3.2

Development Note: In order to implement the edge triggering functionality, IT0 and IT1 are mirrored outside the core.

Note: if both EXxR and EXxF are set both rising and falling edges would generate interrupt. Minimum delay between the interrupts should be ensured by the software. If both the EXxR and EXxF are reset to 0. Interrupt is disabled.

Note External extra interrupts EX1 and EX2 are edge triggered interrupts only.

Note: When int0 or int1 is used together with capture reload timer, it is possible to generate interrupt through CRT. For further details refer to the chapter CRT.

Please refer to the chapter "Additional registers" register bits Intsrc0 and Intsrc1 for further description of external interrupt (0 and 1) source selection.

7.16 Interrupt Task Function

The processor records the active priority level(s) by setting internal flip-flop(s). Each interrupt level has its own flip-flop. The flip-flop corresponding to the interrupt level being serviced is reset when the processor executes a RETI-instruction.

The sequence of events for an interrupt is:

- A source provokes an interrupt by setting its associated interrupt request bit to let the processor know an interrupt condition has occurred.
- The interrupt request is conditioned by bits in the interrupt enable and interrupt priority registers.
- The processor acknowledges the interrupt by setting one of the four internal 'priority-level active' flip-flops and performing a hardware subroutine call. This call pushes the PC (but not the PSW) onto the stack and, for some sources, clears the interrupt request flag.
- The service program is executed.
- Control is returned to the main program when the RETI-instruction is executed. The RETI- instruction also clears one of the internal 'priority-level active' flip-flops.

The interrupt request flags IE0, IE1, TF0 and TF1 are cleared when the processor transfers control to the first instruction of the interrupt service program.



SDA 55xx

Preliminary & Confidential

Interrupts

8 Power Saving modes

The controller provides four modes in which power consumption can be significantly reduced.

- Idle mode: The CPU is gated off from the oscillator. All peripherals except WDT(in watch dog mode) are still provided with the clock and are able to work.
- Power-down mode: Operation of the controller is turned off. This mode is used to save the contents of internal RAM with a very low standby current.
- Power save mode: In this mode display generator, Slicer_acq_sync, VADC, CADC, ADC_wakeup, PWM, CRT, WDT, DAC, PLL, and Display(display, pixel clock and D sync) can be turned off.
- Slow down mode: In this mode the system frequency is reduced by one fourth.

All modes are entered by software. Special function register is used to enter one of these modes.

8.1 Power Save mode registers

Default after reset: 00_h **PSAVE bit addressable** SFR-Address D8_H

(MSB)								(LSB)
--	--	--	CADC	WAKUP	SLI_ACQ	DISP	PERI	

-- **Not used**

CADC **Controller ADC**
 0: Power save Mode not started
 1: Power save Mode started
 In Power save mode all 4 controller ADC channels are disabled.

WAKUP **Wake up of CADC**
 0: Power save Mode not started
 1: Power save Mode started
 In Power save mode ADC wake up unit of CADC is disabled.
 Note that Power save mode of wake up unit is only useful in saving power when CADC bit is set.

- SLI_ACQ Slicer and Acquisition**
 0: Power save Mode not started
 1: Power save Mode started
 In Power save mode Video A to D, Slicer , sync unit and acquisition are disabled. All the pending bus requests are masked off.
- DISP Display unit**
 0: Power save Mode not started
 1: Power save Mode started
 In Power save mode display generator, pixel clock unit ,display sync unit , sandcastle decoder and COR_BLA are disabled. All the pending bus request are masked off.
 DAC is also switched off and it outputs the values defined for DAC off. COR_BLA output their reset value.
- PERI Peripherals (Watchdog timer in timer mode, PWM and CRT)**
 0: Power save Mode not started
 1: Power save Mode started
 In Power save mode WDT (in timer mode), PWM and CRT are disabled. It is only possible to enter this power save mode if watchdog is not started in a watchdog mode.

Default after reset: 00_h **PSAVEX bit addressable** SFR-Address $D7_H$

(MSB)					(LSB)		
--	--	--	--	--	Clk_Src	PLL_rst	PLLS

- **Not used**
- CLK_Src CLock Source**
 0: 200 Mhz PLL (33.33Mhz system clock) selected.
 1: PLL is bypassed oscillator clock 6 MHz (3Mhz system clock selected)
 In this mode slicer, acquisition, DAC and display generator are disabled.

PLL_rst	PLL reset 0: PLL not reset 1: PLL reset PLL reset sequence requires that PLL_rst = 1 for 10 micro second then PLL_rst = 0, after that 150 microsecond are required till PLL is locked.
PLLS	PLL Sleep 0: Power save Mode not started 1: Power save Mode started Before the PLL is switched to power save mode (PLLS = 1), the SW has to switch the clock source from 200 Mhz PLL clock to the 6 MHZ oscillator clock (CLK_Src = 1). To switch back to the normal mode, software has to end the PLL power save mode(PLLS=0), reset the PLL for 10 micro second (3 machine cycles), PLL_rst = 1 the back to 0, wait for 150 micro seconds (38 machine cycles) and then switch back to the PLL clock.

Preliminary & Confidential

Power Saving modes

Default after reset: 00h

PCON

SFR-Address 87_H

(MSB)

(LSB)

SMOD	PDS	IDLS	SD	GF1	GF0	PDE	IDLE
------	-----	------	----	-----	-----	-----	------

SMOD

USRT baud rate

- 0: Normal baudrate
- 1: Double baud rate

PDS

Power Down Start Bit

- 0: Power Down Mode not started
- 1: Power Down Mode started

The instruction that sets this bit is the last instruction before entering power down mode. Additionally, this bit is protected by a delay cycle. Power down mode is entered, if and only if bit PDE was set by the previous instruction. Once set, this bit is cleared by hardware and always reads out a 0.

IDLS

Idle Start Bit

- 0: Idle Mode not started
- 1: Idle Mode started

The instruction that sets this bit is the last instruction before entering idle mode. Additionally, this bit is protected by a delay cycle. Idle mode is entered, if and only if bit IDLE was set by the previous instruction. Once set, this bit is cleared by hardware and always reads out a 0.

SD

Slow Down Bit

- 0: Slow down mode is disabled
- 1: Slow down mode is enabled

This bit is set to indicate the external clock generating circuitry to slow down the frequency. This bit is not protected by a delay cycle.

GFx

General purpose flag bits

For user.

8.3 Power down mode

Entering the power-down mode is done by two consecutive instructions immediately following each other. The first instruction has to set bit PDE (PCON.1) and must not set bit PDS (PCON.6). The following instruction has to set bit PDS (PCON.6) and must not set bit PDE (PCON.1). Bits PDE and PDS will automatically be cleared after having been set.

This double-instruction sequence is implemented to minimize the chance of unintentionally entering the power-down mode. The following instruction sequence may serve as an example:

```
ORLPCON,#00000010B ;Set bit PDE, bit PDS must not be set.
```

```
ORLPCON,#01000000B ;Set bit PDS, bit PDE must not be set.
```

The instruction that sets bit PDS is the last instruction executed before going into power-down mode.

Concurrent setting of the enable and the start bits does **not** set the device into the respective power saving mode.

If idle mode and power-down mode are invoked simultaneously, the power-down mode takes precedence.

The only exit from power-down mode is a hardware reset. The reset will redefine all SFRs, but will not change the contents of internal RAM.

8.4 Power save mode

Bits in the PSave register individually enable and disable different major blocks in the IC. Note that Power save mode is independent of Idle and power down mode. In case of idle mode, blocks which are in power save mode remains in power save mode.

Entering the power down mode with Power save mode is possible. However leaving the power down mode (reset) would initialize all the power save register bits.

Note that Power save mode has a higher priority than idle mode.

8.5 Slow down mode

SD bit in PCON register when sets divides the system frequency by 4. During the normal operation TVT Pro is running with 33.33Mhz and in SD mode TVT Pro runs with 8.33MHZ. In slow down mode the slicer, Acquisition and display are disabled regardless of Power save mode or other modes. All the pending request to the bus by these blocks are masked off. Leaving slow down mode restores the original status of these blocks.

9 Reset

9.1 Reset sources

TVText Pro can be reset by two sources.

- 1) Externally by pulling down the reset pin $\overline{\text{RST}}$.
- 2) Internally by Watch dog timer reset.

Note that both the reset signals use the same path however Watchdog reset does not reset the PLL.

9.2 Reset filtering

RST pin uses a filter with delay element, which suppresses the jitter and spikes in the range of 25 nsec to 75 nsec.

9.3 Reset duration

With the active edge of the $\overline{\text{RST}}$ an internal signal resets all the flip flops asynchronously. The internal signal is released synchronously to the internal clock when it is stable as described below.

Duration of the external reset depends on the time required for crystal oscillator to stabilize and is dependent on the crystal used.

During the period when the RST pin is held low, the PLL is initialized and it gets locked. The high going reset pulse then initiates a sequence which requires one machine cycle (12 clock cycles) to initialize the processor and all other registers and peripherals.

9.4 Registers

Upon reset, all the registers are initialized to the values as defined in Register overview chapter.

9.5 Functional blocks

All the blocks to a known a known state. Processor, Acquisition and display will not have any pending bus requests after reset.

9.6 RAMs

Reset hardware does not initialize any RAMs.

9.7 Analog blocks

After the power up/reset DAC will output a fix value. ADC and ADC wake up unit does not generate any interrupts till the 12 cycle reset sequence is completed.

9.8 Processor

After the reset sequence program counter initializes to 0000h and starts execution from this location in the ROM. Location 0000h to 0002h is reserved for initialization routine.

9.9 Ports

With the reset all the ports are set in to the input mode. Except Port 4.0, 4.1 and 4.4, which by default are reset to output address lines A17, A18, A19.

9.10 Initialization phase

9.10.1 Acquisition

After the reset Acquisition will not generate any memory accesses to the RAM, as Acq_start bit is initialized to 0. Processor should then initialize the VBI buffer and set the ACQ_start bit (software). Acquisition will also not generate any accesses to the RAM if the synchronisation is not achieved.

9.10.2 Display

After the reset DAC will output a fix value as defined by En_DGOut, which is reset to 0. COR_BLA is reset to a level indicating COR = 0 and BLank = 1.

Processor should initialize the display memory and set the En_DGOut(OCD_Ctrl) bit.

10 Memory Organization

The processor has separate Program and Data memory space. Memory spaces can be further classified as;

- Program Memory
- Internal Data Memory 256 Bytes (CPU RAM)
- Internal Extended Data Memory (XRAM)

A 16-bit program counter and a dedicated banking logic provide the processor with 1 MByte addressing capability (for ROM-less versions, up to 20 address lines are available).

The program counter allows the user to execute calls and branches to any location within the program memory space.

Data pointers allows to move data to and from Extended Data RAM.

There are no instructions that permit program execution to move from the program memory space to any of the data memory space.

10.1 Program Memory

Program ROM consists of 128KByte on chip ROM.

Certain locations in program memory are reserved for specific programs. Locations '0000' through '0002' are reserved for the initialization program. Following reset, the CPU always begins execution at location '0000'. Locations '0003' through '00CB' are reserved for the interrupt-request service programs.

Interrupt Source	Vector Address
External Interrupt 0	0003
Timer 0 Overflow	000B
External Interrupt 1	0013
Timer 1 Overflow	001B
UART	0023
ADC	002B
Reserved	0033
ExternalX Interrupt 0	003B
Watchdog timer	0043
External X Interrupt 1	004B
Acquisition V Sync	0053
Display V sync	005B
Reserved	0063

Interrupt Source	Vector Address
Reserved	006B
Reserved	0073
Reserved	007B
PWM in timer mode	0083
Channel Change	008B
Acq H Sync	0093
Display H Sync	009B
Reserved	00A3
Reserved	00AB
Reserved	00B3
Reserved	00BB
Line 24 start	00C3
A to D wake up	00CB

10.2 Internal Data RAM

Internal Data RAM is split into CPU RAM and XRAM

10.2.1 CPU RAM

Address space

The internal CPU RAM (IRAM) occupies address space 00_h to FF_h. This space is further split into two where lower 128 Bytes (00_h--7F_h) can be accessed using both direct and indirect register addressing method. Upper half 128 Bytes (80_h--FF_h) can be accessed using register indirect method only. Register direct method for this address space (80_h--FF_h) is reserved for Special function register access.

Registers

Controller registers are also located in IRAM. Four banks of eight registers each occupy locations 0 through 31. Only one of these banks may be enabled at a time through a two-bit field in the PSW.

Bit addressable RAM area

128-bit locations of the on-chip RAM are accessible through direct addressing. These bits reside in internal data RAM at byte locations 32 through 47.

Stack

The stack can be located anywhere in the internal data RAM address space. The stack depth is limited only by the available internal data RAM, thanks to an 8-bit re-locatable stack pointer. The stack is used for storing the program counter during subroutine calls and may also be used for passing parameters. Any byte of internal data RAM or special function registers accessible through direct addressing can be pushed/popped. By default Stack Pointer always has a reset value of 07_h .

10.2.2 Extended Data RAM(XRAM)

An additional on-chip RAM space called 'XRAM' extends the internal RAM capacity. Up to 16 Kilobytes of XRAM are accessed by MOVX @DPTR. XRAM is located in the upper area of the 64K address space.

1 Kbyte of the XRAM, called VBI Buffer, is reserved for storing teletext data. 1KByte of address space can be allocated for CPU work space. Three Kilobyte of RAM is reserved as Display RAM. Rest of the RAM can be configured between Teletext page memory and DRCS (Dynamically Redefinable Character Set) memory.

Extended Data Memory address Mapping

XRAM is mapped in the address space of $C000_h$ to $FFFF_h$. 16 KBytes are implemented on Chip the address space of the 16K block is decoded starting from $C000_h$. Note that this decoding is done independent of the memory banking. That means that in all 16 banks of 64K, upper 16K address space is reserved for internal Extended data memory. This decoding method has an advantage, while copying data back and forth from on-chip RAM and off-chip RAM, there is no need to switch the memory banks.

10.3 Memory Extension

The controller provides four additional address lines A16, A17, A18 and A19. These additional address lines are used to access program and data memory space up to 1MByte. The extended memory space is split into 16 banks of 64Kbyte each.

A16 is available as a dedicated pin, however A17, A18 and A19 work as alternate function to port pins P4.0, P4.1 and P4.4 respectively. Refer to register CSCR 1 ($\overline{A19_P4_4}$, $\overline{A18_P4_1}$, $\overline{A17_P4_0}$).

The operations to the extended memory space are controlled by four special function registers called MEX1, MEX2, MEX3 and MEXSP.

The functionality for memory extension is provided by a module Memory management unit (MMU) which includes the four SFR registers MEX1, MEX2, MEX3 and MEXSP.

10.3.1 Memory extension registers

The following registers are present in the Memory management unit.

These registers can be read and written through MOV instructions like any other SFR registers. Except for CB bits in MEX1 which are read only they can only be written by MMU. During normal operation user must not write in the MEXSP.

Memory Extension Register 1

Default after reset: 00_H MEX1 SFR Address 94_H

(MSB)

(LSB)

CB19	CB18	CB17	CB16	NB19	NB18	NB17	NB16
------	------	------	------	------	------	------	------

NB Next Bank; R/W

CB Current Bank; Read Only;

Comments None

Preliminary & Confidential

Memory Organization

Memory Extension Register 2

Default after reset: 00_H MEX2 SFR Address 95_H

(MSB)

(LSB)

MM	MB18	MB17	MB16	IB19	IB18	IB17	IB16
----	------	------	------	------	------	------	------

- IB** Interrupt Bank; R/W
- MB** Memory Bank; R/W
- MM** Memory Mode; R/W; 1 = use MB
- Comments** None

Memory Extension Register 3

Default after reset: 00_H MEX3 SFR Address 96_H

(MSB)

(LSB)

MB19	UB3	UB4	MX19	MXM	MX18	MX17	MX16
------	-----	-----	------	-----	------	------	------

- MB19** Memory Bank bit; R/W/bit. See MEX2.
- MXM** = 1 During external Data Memory accesses, the bits MX19...16 are used as address lines A19...16 instead of the current bank(CB).
- MX19...16** MOVX-Bank; R/W. If MXM is set, these bits will be used during external data moves into or from an externally connected Data RAM.
- UB3, UB4** User bits; available to the user, for MMU they are don't care

0.0.1 Memory Extension stack pointer

Default after reset: 00_H MEXSP SFR Address 97_H

(MSB)

(LSB)

--	SP6	SP5	SP4	SP3	SP2	SP1	SP0
----	-----	-----	-----	-----	-----	-----	-----

SP Stack Pointer: Maximum allowable value 7F_H

Bit7 Reserved bit for future.

Comments None

10.3.2 Reset value

In order to insure proper 8051 functionality all the bits in SFR MEX1,MEX2,MEX3 and MEXSP are initialized to 0.

0.0.2 Instructions on which memory extension would act

- LJMP
- MOVC
- MOVX
- LCALL
- ACALL
- RET
- RETI

10.3.3 Program memory Banking (LJMP)

After reset the bits for current bank (CB) and next bank (NB) are set to zero. This insures that processor starts the same as standard 8051 controller at address 00000_H.

When a jump to another bank is required, software changes the bits NB16...19 to the appropriate bank address (before LJMP instruction).

When LJMP is encountered in the code, MMU copies the NB16...19 (next bank) bits to CB16...19(current bank). Note that the NB bits are not destroyed.

Extended address bits would appear at A16...A19. *This address line has same timing requirement as normal address lines A0...A15 and both must be stable at the same time.*

Only with LJMP above mentioned action is performed, other jmp instructions have no effect.

CB bits are read only.

0.0.3 MOVC handling

There are two modes for MOVC instructions. The mode is selected by MM bit in MEX2.

MOVC with Current Bank

When MM bit = '0', MOVC will access the current bank. The CB16...CB19 bits would appear as address A16...A19 during MOVC instructions.

MOVC with Memory Bank

When MM bit = '1', MOVC will access the Memory bank. The MB16...MB19 bits would appear as address A16...A19 during MOVC instructions. Note: MEX1 is not destroyed.

MOVX handling

There are two modes for MOVX instructions. The mode is selected by MXM bit in MEX3.

MOVX with Current Bank

When MXM bit = '0', MOVX will access the current bank. The CB16...CB19 bits would appear as address A16...A19 during MOVX instructions.

MOVX with Data Memory Bank

When MXM bit = '1', MOVX will access the Data memory bank. The MX16...MX19 bits would appear as address A16...A19 during MOVX instructions. Note: MEX1 is not destroyed.

10.3.4 CALLs and Interrupts

Memory extension Stack

For Interrupts and Calls Memory extension Stack is required. Stack pointer MEXSP provides the stack depth of up to 128bytes. Stack width is 1 byte. In TVT Pro 128 Bytes stack is implemented.

10.3.5 Stack Full

No indication for stack full is provided. User is responsible to read MEXSP SFR to determine the status of the MEXSP stack.

10.3.6 Timing

MMU outputs address bits A19...A16 at the same time as normal addresses A15...A0.

Stack operation signals, SAdd[6:0], SDataI[7:0], SDataO[7:0], SRd and SWr have the same timing as internal RAM signals.

10.3.7 Interfacing Extended memory

Signals A19, A18, A17, A16 are used to decode extended memory.

10.3.8 Interfacing Extended stack

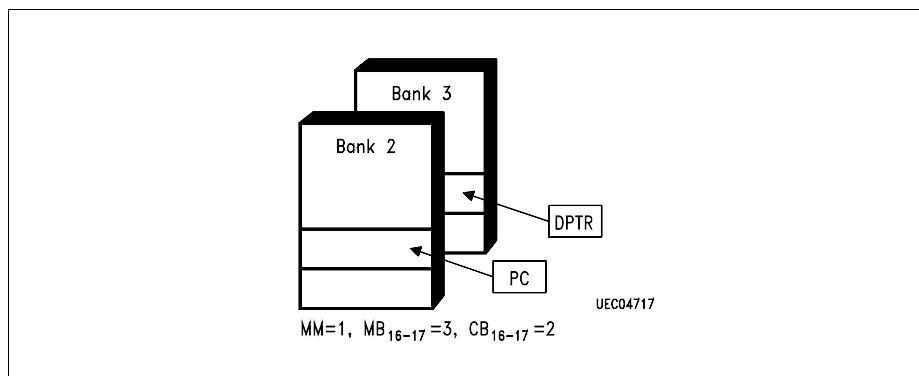
Device provides 128 Byte extended Stack.

SAdd[6:0], SDataI[7:0], SDataO[7:0], SRd and SWr are available at the core boundary which are used to interface a 64 Byte SRAM.

10.3.9 Application Examples

MOVc

Figure 15: PC and DPTR on Different Banks



Sample Code

Figure shows an assembler program run, performing the following actions:

1. Start at bank 0 at 00000.
2. Set ISR-page to bank 2.
3. Jump to bank 1 at address 25.
4. Being interrupted to bank 2 ISR.
5. Call a subprogram at bank 2 address 43.
6. After return read data from bank 2.

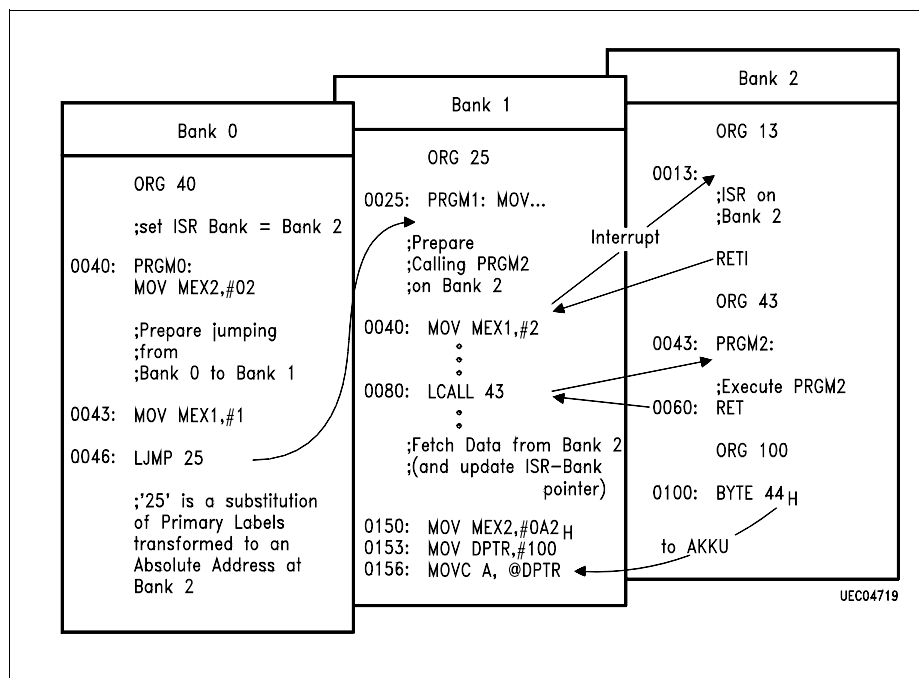


Fig
Program code

10.3.10 ROM and ROMless version.

XROM pin determines the onchip or off chip ROM access.

If no internal ROM is to be used, then the XROM pin (in ROMless version) should be driven low. Controller then accesses the External ROM only. In ROM version this pin is internally pulled high, indicating no external ROM.

11 UART

The serial port is full duplex, meaning it can transmit and receive simultaneously. It is also receive-buffered, meaning it can commence reception of a second byte before a previously received byte has been read from the receive register (however, if the first byte still hasn't been read by the time reception of the second byte is complete, one of the bytes will be lost). The serial port receive and transmit registers are both accessed at special function register SBUF. Writing to SBUF loads the transmit register, and reading SBUF accesses a physically separate receive register.

The frequencies and baud rates depend on the internal system clock, used by the serial interface.

The serial port can operate in 4 modes:

11.1 Modes

Mode 0: Serial data enters and exits through RxD (P3.7). TxD (P3.1) outputs the shift clock.

Mode 1: 10 bits are transmitted (through TxD) or received (through RxD): a start bit (0), 8 data bits (LSB first), and a stop bit (1). On reception, the stop bit goes into RB8 in special function register SCON. The baud rate is variable.

Mode 2: 11 bits are transmitted (through TxD) or received (through RxD): a start bit (0), 8 data bits (LSB first), a programmable 9th data bit, and a stop bit (1). On transmission, the 9th data bit (TB8 in SCON) can be assigned the value of 0 or 1. Or, for example, the parity bit (P, in the PSW) could be moved into TB8. On reception, the 9th data bit goes into RB8 in the special function register SCON, while the stop bit is ignored. The baud rate is programmable via SFR-Bit SMOD.

Mode 3: 11 bits are transmitted (through TxD) or received (through RxD): a start bit (0), 8 data bits (LSB first), a programmable 9th data bit and a stop bit (1). In fact, mode 3 is the same as mode 2 in all respects except the baud rate. The baud rate in mode 3 is variable.

Preliminary & Confidential

UART

Serial Port Control Register SCON

SFR-Address 98_H

Default after reset: 00_H

(MSB)

(LSB)

SM0	SM1	SM2	REN	TB8	RB8	TI	RI
-----	-----	-----	-----	-----	-----	----	----

- SM0 Serial Port Mode Selection, see table below.
- SM1 Serial Port Mode Selection, see table below
- SM2 Enables the multiprocessor communication feature in modes 2 and 3. In mode 2 or 3, if SM2 is set to 1 then RI will not be activated if the received 9th data bit (RB8) is 0. In mode 1, if SM2 = 1 then RI will not be activated if a valid stop bit was not received. In mode 0, SM2 should be 0.
- REN Enables serial reception. Set by software to enable reception. Cleared by software to disable reception.
- TB8 Is the 9th data bit that will be transmitted in modes 2 and 3. Set or cleared by software as desired.
- RB8 In modes 2 and 3, is the 9th data bit that was received. In mode 1, if SM2 = 0, RB8 is the stop bit that was received. In mode 0, RB8 is not used.
- TI Is the transmit interrupt flag. Set by hardware at the end of the 8th bit time in mode 0, or at the beginning of the stop bit in the other modes, in any serial transmission. Must be cleared by software.
- RI Is the receive interrupt flag. Set by hardware at the end of the 8th bit time in mode 0, or halfway through stop bit time in the other modes, in any serial reception. Must be cleared by software.

SM0	SM1	Mode	Description	Baud Rate (CDC = 0)
0	0	0	Shift Reg.	$f_{system}/12$
0	1	1	8-bit UART	Variable
1	0	2	9-bit UART	$f_{system}/64$, $f_{system}/32$
1	1	3	9-bit UART	Variable

In all four modes, transmission is initiated by any instruction that uses SBUF as a destination register. Reception is initiated in mode 0 by the condition RI = 0 and REN = 1. Reception is initiated in the other modes by the incoming start bit if REN = 1.

11.2 Multiprocessor Communication

Modes 2 and 3 of the serial interface of the controller have a special provision for multiprocessor communication. In these modes, 9 data bits are received. The 9th one goes into RB8. Then comes a stop bit. The port can be programmed such that when the stop bit is received, the serial port interrupt will be activated only if RB8 = 1. This feature is enabled by setting bit SM2 in SCON. A way to use this feature in multiprocessor communications is as follows.

When the master processor wants to transmit a block of data to one of the several slaves, it first sends out an address byte which identifies the target slave. An address byte differs from a data byte in that the 9th bit is 1 in an address byte and 0 in a data byte. With SM2 = 1, no slave will be interrupted by a data byte. An address byte however, will interrupt all slaves, so that each slave can examine the received byte and see if it is being addressed. The addressed slave will clear its SM2 bit and prepare to receive the data bytes that will be coming. The slaves that weren't addressed leave their SM2s set and go on about their business, ignoring the coming data bytes.

SM2 has no effect in mode 0, and in mode 1 can be used to check the validity of the stop bit. In a mode 1 reception, if SM2 = 1, the receive interrupt will not be activated unless a valid stop bit is received.



SDA 55xx

Preliminary & Confidential

UART

12 General Purpose Timers/Counters

Two independent general purpose 16-bit timers/ counters are integrated for use in measuring time intervals, measuring pulse widths, counting events, and causing periodic (repetitive) interrupts. Either can be configured to operate as timer or event counter.

In the 'timer' function, the registers TLx and/or THx (x = 0, 1) are incremented once every machine cycle. Thus, one can think of it as counting machine cycles.

A machine cycle consists of 12 oscillator periods.

In the 'counter' function, the registers TLx and/or THx (x = 0, 1) are incremented in response to a 1-to-0 transition at its corresponding external input pin, T0 or T1. In this function, the external input is sampled during every machine cycle. When the samples show a high in one cycle and a low in the next cycle, the count is incremented. The new count value appears in the register during the cycle following the one in which the transition was detected. Since it takes 2 machine cycles (24 oscillator periods) to recognize a 1-to-0 transition, the maximum count rate is 1/24 of the oscillator frequency . There are no restrictions on the duty cycle of the external input signal, but to ensure that a given level is sampled at least once before it changes, it should be held for at least one full machine cycle.

12.1 Timer/Counter 0: Mode Selection

Timer/counter 0 can be configured in one of four operating modes, which are selected by bit-pairs (M1, M0) in TMOD-register (figure).

– Mode 0

Putting timer/counter 0 into mode 0 makes it look like an 8048 timer, which is an 8-bit counter with a divide-by-32 prescaler. Figure shows the mode 0 operation as it applies to timer 0.

In this mode, the timer register is configured as a 13-bit register. As the count rolls over from all 1 s to all 0 s, it sets the timer interrupt flag TF0. The counted input is enabled to the timer when TR0 = 1 and either GATE = 0 or INT0 = 1. (Setting GATE = 1 allows the timer to be controlled by external input INT0, to facilitate pulse width measurements.) TR0 is a control bit in the special function register TCON (figure). GATE is contained in register TMOD (figure).

The 13-bit register consists of all 8 bits of TH0 and the lower 5 bits of TL0. The upper 3 bits of TL0 are indeterminate and should be ignored. Setting the run flag (TR0) does not clear the registers.

– Mode 1

Mode 1 is the same as mode 0, except that the timer/counter 0 register is being run with all 16 bits.

– Mode 2

Mode 2 configures the timer/counter 0 register as an 8-bit counter (TL0) with automatic reload, as shown in figure 12.1.3. Overflow from TL0 not only sets TF0, but also reloads TL0 with the contents of TH0, which is preset by software. The reload leaves TH0 unchanged.

– Mode 3

Timer/counter 0 in mode 3 establishes TL0 and TH0 as two separate counters. TL0 uses the timer 0 control bits: C/T, GATE, TR0, $\overline{\text{INT0}}$ and TF0. TH0 is locked into a timer function (counting machine cycles) and takes over the use of TR1 and TF1 from timer 1. Thus, TH0 now controls the 'timer 1' interrupt.

Mode 3 is provided for applications requiring an extra 8-bit timer or counter. With timer 0 in mode 3, the processor can operate as if it has three timers/counters. When timer 0 is in mode 3, timer 1 can be turned on and off by switching it out of and into its own mode 3, or can still be used in any application not requiring an interrupt.

12.1.1 Timer/Counter 1: Mode Selection

Timer/counter 1 can also be configured in one of four modes, which are selected by its own bitpairs (M1, M0) in TMOD-register.

The serial port receives a pulse each time that timer/counter 1 overflows. This pulse rate is divided to generate the transmission rate of the serial port.

Modes 0 and 1 are the same as for counter 0.

– Mode 2

The 'reload' mode is reserved to determine the frequency of the serial clock signal (not implemented).

– Mode 3

When counter 1's mode is reprogrammed to mode 3 (from mode 0, 1 or 2), it disables the increment counter. This mode is provided as an alternative to using the TR1 bit (in TCON-register) to start and stop timer/counter 1.

12.1.2 Configuring the Timer/Counter Input

The use of the timer/counter is determined by two 8-bit registers, TMOD (timer mode) and TCON (timer control). The input to the counter circuitry is from an external reference (for use as a counter), or from the on-chip oscillator (for use as a timer), depending on whether TMOD's C/T-bit is set or cleared, respectively. When used as a time base, the on-chip oscillator frequency is divided by twelve or six before being used as the counter input. When TMOD's GATE bit is set (1), the external reference input (T1, T0) or the oscillator input is gated to the counter conditional upon a second external input ($\overline{\text{INT0}}$), ($\overline{\text{INT1}}$) being high. When the GATE bit is zero (0), the external reference, or oscillator input, is unconditionally enabled. In either case, the normal interrupt function of $\overline{\text{INT0}}$ and

12.1.4 Timer/Counter Control Register

Default after reset: 00_H

TCON

SFR-Address 88_H

(MSB)

(LSB)

TF1	TR1	TF0	TR0	IE1	IT1	IE0	IT0
-----	-----	-----	-----	-----	-----	-----	-----

- TF1** Timer 1 overflow flag. Set by hardware on timer/counter overflow. Cleared by hardware when processor vectors to interrupt routine.
- TR1** Timer 1 run control bit. Set/cleared by software to turn timer/counter on/off.
- TF0** Timer 0 overflow flag. Set by hardware on timer/counter overflow. Cleared by hardware when processor vectors to interrupt routine.
- TR0** Timer 0 run control bit. Set/cleared by software to turn timer/counter on/off.
- IE1** Interrupt 1 edge flag. Set by hardware when external interrupt edge detected. Cleared when interrupt processed.
- IT1** Interrupt 1 type control bit. Set/cleared by software to specify edge/low level triggered external interrupts.
- IE0** Interrupt 0 edge flag. Set by hardware when external interrupt edge detected. Cleared when interrupt processed.
- IT0** Interrupt 0 type control bit. Set/cleared by software to specify edge/low level triggered external interrupts.

13 Capture reload timer

Capture control timer is a 16 bit up counter, with special features suited for easier infra red decoding by measuring the time interval between two successive trigger events. Trigger events can be positive, negative or both edges of a digital input signal (Port 3.2 or 3.3). A built in Spike Suppression Unit (SSU) can be used for suppressing pulses with obviously too small or too long time duration at the beginning of an expected telegram, thereby relieving the FW of processing corrupted telegrams. This is especially useful in idle mode.

13.1 Input clock

Input clock is f_{CCT} is same as system clock frequency divided by two. In normal mode system frequency is 33.33 Mhz ($f_{CCT} = 16.66\text{Mhz}$) and in slow down mode (SD mode) 8.33 Mhz ($f_{CCT} = 4.16\text{Mhz}$)

PR prescaler bit when set divides the input clock further by 2, PR1 divides further by 8.. Internal to the block change in SD mode is detected and frequency is adjusted accordingly so that maximum time resolution of 15.73 msec. or 251.66 msec. is achieved depending on Prescaler PR bits.

13.2 Reset values

All the eight 8 bit registers RELL, RELH, CAPL, CAPH, MINCAPL, MINCAPH, CRTCON0 and CRTCON1 are reset to 00_h.

13.3 Functional description

13.3.1 Port pin

Either Port P3.3 or P3.2 can be selected as capture input via SEL bit. Capture event can be programmed to occur on rising or falling edge or both using the bits RISE and FALL bits.

13.3.2 Slow down mode

SD bit when set, reduces the system frequency to 8.33 Mhz. However the clk to the counter has a fix frequency (for a particular prescaler value). This is achieved by a divide by 4 chain, which divides the incoming frequency by 4 when SD = 0 and feeds the incoming signal directly to the counter when SD = 1.

13.3.3 Run

When counter is started (RUN), 16 bit reload value is automatically loaded in the 16 bit counter. (Note REL bit is irrelevant in case of RUN function). Setting run bit resets the FIRST and OV bit.

All the control bits PR, PLG, REL, RUN, RISE, FALL, SEL, Start, Int_Src, SD can be changed anytime during the operation, these changes take immediate effect there is no protected mode when counter is running.

13.3.4 Overflow

In case no capture event occurs, counter keeps on counting till it overflows from $FFFF_h$ to 0000_h at this transition OV bit is set. After the overflow counter keeps on counting. Overflow does not reload the reload value. Note that OV bit is set by counter and can be reset by software.

13.3.5 Modes

There are three different modes in which counter can be used.

- Normal Capture mode
- Polling mode
- Capture mode with spike suppression at the start of a telegram

Mode	START	PLG
Normal capture mode	0	0
Capture mode with spike suppression	1	0
Polling mode	X	1

For each mode selection it is recommended to reset the RUN bit (if it is not already at 0), set the appropriate mode bit and then start the counter by setting the RUN bit.

For each of the capture mode the event is captured based on the CRTCON0(RiISE) and CRTCON0(FALL).

13.3.6 Normal Capture mode

Normal capture mode is started by setting the RUN bit(0 --> 1) and PLG = 0, start =0 . Setting RUN bit will reload the counter with reload value and reset the overflow bit and counter will start to count.

Upon event on the selected port pin, contents of the counter are copied to the capture registers CRT_caph and CRT_capl.

In capture mode if REL bit is set counter is automatically reloaded upon event with the reload value and starts to count. If however REL bit is not set then counter continues to count from the current value.

OV bit is not effected by the capture event..

Note:1) Min_cap register has no functionality in this mode.

Note 2) Interrupt would be generated from CRT, however it will only be registered in the int source register if intsrc bits in the CSCR1 are appropriately set. It is not required to use the CRT generated interrupt in this mode. Direct pin interrupt can be used.

13.3.7 Polling mode

Polling mode is started by setting the PLG bit, PLG= 1 (START bit is in don't care for this mode) Setting RUN bit will reload the counter with reload value and reset the overflow bit and start the counting.

In the timer polling mode, capture register mirrors the current timer value, note that in this mode any event at selected port pin is ignored. Upon overflow OV bit is set.

Note 1) Interrupts are not generated as events are not recognized.

13.3.8 Capture mode with spike suppression at the start of a telegram

This mode is specially been implemented to prevent false interrupt from being generated specially in idle mode while waiting for a new infra red telegram.

This mode is entered by setting the START bit (PLG =0). Software sets Start bit to indicate it is expecting a new telegram. Setting RUN bit will reload the counter with reload value and reset the overflow bit and start the counting.

13.3.9 First event

On occurrence of capture event, counter value is captured and comparator then sets the First bit. Interrupt is suppressed. OV bit is reset and counter reloads the reload value (regardless of the status of REL bit) and starts counting again.

13.3.10 Second event

On occurrence of second capture event, counter value is captured and interrupt is triggered if the capture value exceeds the value in the Min_Cap register and the OV bit is not set. First bit is reset. Counter will now continue in the normal capture mode. Software may reset the START bit if the capture value is a valid pulse of a telegram.

If the pulse was invalid then software must stop the counter and start again (Run bit first reset and then SET) with start bit set to wait for a new telegram.

If Capture value is less than or equal to min_cap value or OV bit has been set, that is spike has been detected and Interrupt is suppressed. OV bit would be reset counter would be reloaded with reload value (regardless of REL bit).

In this case If either RISE or FALL bit were set then counter will wait for the second event (FIRST =1), if RISE and FALL both were set then counter will wait for the First event (FIRST =0).

13.3.11 CRT Interrupt.

CRT can generate interrupt when SSU is employed.

CRT unit uses the same interrupt line as $\overline{INT1}$ and $\overline{INT0}$. The interrupt line is selected by the SEL bit.

Note that when using CRT to generate interrupt, the direct interrupt source from Port 3.2 or 3.3 (which ever is selected) should be switched to CRT (CSCR1(IntSrc0), CSCR1(IntSrc1)). If application uses port pins directly to generate interrupt, then these bits should be reset. Note that by default $\overline{INT1}$ and $\overline{INT0}$ are mapped to P3.3 and P3.2.

SSU generates interrupt signal as a pulse, which is captured in the int source register TCON (IE1 or IE0). While using this mode TCON(IT0 or IT1) must be set to 1 (edge triggered) and PCON(EX1R or EX0R) must be set to 1 and PCON(EX1F or EX0F) must be set to 0.

For further information on interrupts please refer to the interrupt section of this document.

13.3.12 Counter Stop

Counter can be stopped any time by resetting the RUN bit. If counter is stopped and started again(reset and set the RUN bit) , counter reloads with the RELOAD value and reset the OV bit.

13.4 Idle and power down mode.

In idle mode CRT continues to function normally, unless it has been explicitly shut off by PSAVEX (PERI) bit.

In power down mode CRT is shut off.

13.5 Registers

The RELL and RELH are the reload registers (SFR address B7H and B9H), CAPH and CAPL are corresponding capture registers (SFR address BAH and BBH). MIN_CAPL and MIN_CAPH(BC, BB) are Minimum capture registers. CRTCON0 (E5H) and CRTCON1 are the control registers.

Default after reset: 00_H **CSCR1** SFR Address DE_H
 (MSB) (LSB)

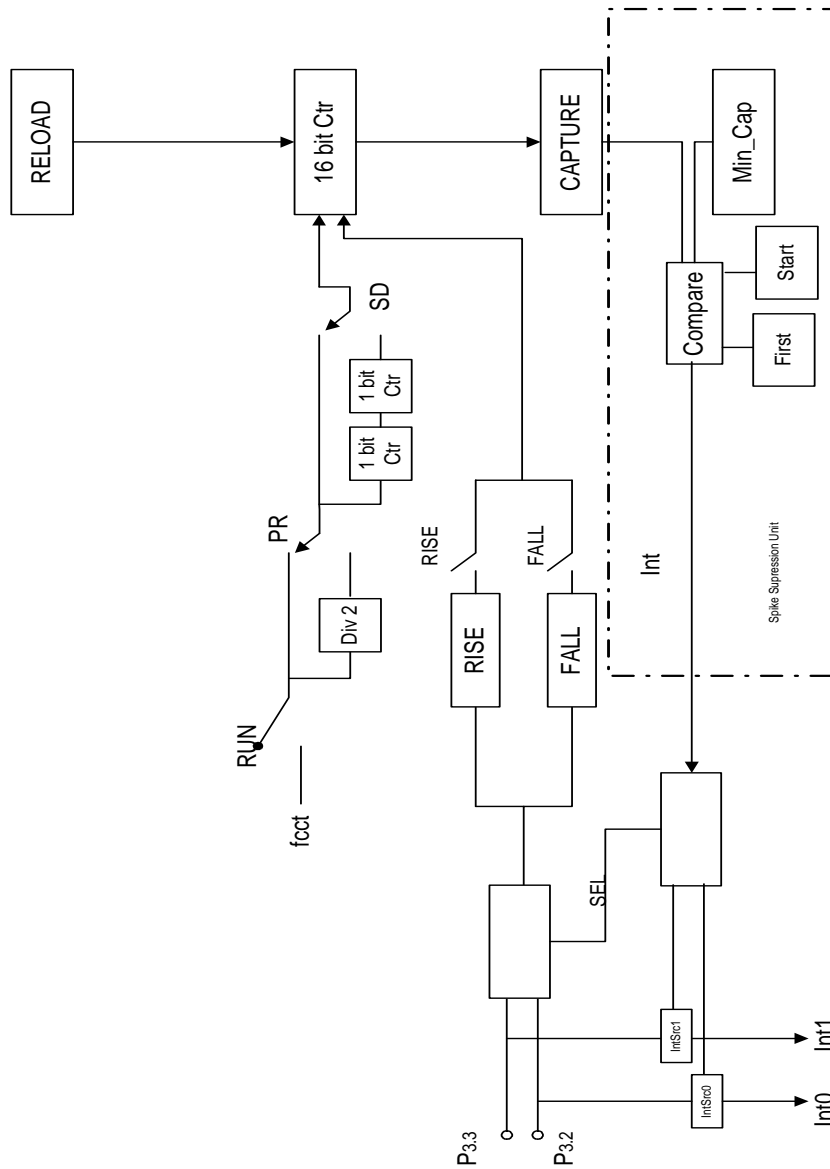
IntSrc1	IntSrc0	–	–	ENARW	$\overline{A19_P4_4}$	$\overline{A18_P4_1}$	$\overline{A17_P4_0}$
---------	---------	---	---	-------	-------------------------	-------------------------	-------------------------

- IntSrc0 0: Port 3.3 is the source of the interrupt
 1: SSU is the source of interrupt, (Application note: Use with SEL = 1)
- IntSrc1 0: Port 3.2 is the source of the interrupt
 1: SSU is the source of interrupt, (Application note: Use with SEL = 0)
- Not used
- Not used
- ENARW See SFR Overview for description of this bit
- $\overline{A19_P4_4}$ See SFR Overview for description of this bit
- $\overline{A18_P4_1}$ See SFR Overview for description of this bit
- $\overline{A17_P4_0}$ See SFR Overview for description of this bit

13.6 Time resolution

SD	F _{sys} Mhz	PR1	PR	Fctr Mhz	Fctr MHz	Time Res. nsec	Max pulse width msec.
0	33.33	0	0	F _{sys} /8	4.17	240	15.73
		0	1	F _{sys} /16	2.083	480	31.46
		1	0	F _{sys} /64	.5208	1920	125.83
		1	1	F _{sys} /128	.2604	3840	251.66
1	8.33	0	0	F _{sys} /8	4.17	240	15.73
		0	1	F _{sys} /16	2.083	480	31.46
		1	0	F _{sys} /64	.5208	1920	125.83
		1	1	F _{sys} /128	.2604	3840	251.66

13.7 Block diagram



14 Pulse Width Modulation Unit

The Pulse Width Modulation unit consists of 6 quasi 8 bit and 2 quasi 14 bit PWM channels. PWM channels are programmed by special function registers and each individual channel can be enabled and disabled individually.

14.1 Reset Values

All the PWM unit registers PWME, PWCOMP8 0-5, PWCOMP14 0-1, PWMCOMPEXT14 0-1, PWML and PWMH are by default reseted to 00h.

14.2 Input clock

Input clock to PWMU fpwm is derived from fsys. fsys is 33.33 Mhz in normal mode and in slowdown mode 8.33 Mhz. In normal mode fsys is divided by 2 and in slow down mode it is directly fed to the PWMU. Therefore PWM unit is counting at 16.5 Mhz in normal mode and 8.25 Mhz in slow down mode. If PR bit PCOMPEXT14 0(bit 0) is set the then the counting frequency is half of that.

In addition PWM_direct bit makes it possible to run PWMcounter at system frequency, ignoring PR bit and the built in divide by 2 prescaler.

To reduce electromagnetic radiation, the different PWM-channels are not switched on simultaneously with the same counter value, but delayed each with one clock cycle to the next channel :

Channel 0 : 0 clock cycles delayed, Channel 1 : 1 clock cycle delayed, , Channel 5 : 5 clock cycles, , PWM14_0 : 6 clock cycles, PWM14_1 : 7 clock cycles delayed.

14.3 Port pins

Port 1 is a dual function port. Under normal mode it works as standard port 1, under alternate function mode it outputs the PWM channels.

P1.0... P1.5 corresponds to the six 8 bit resolution PWM channels PWM8_0...PWM8_5. P1.6 and P1.7 corresponds to the two 14 bit resolution PWM channels PWM14_0 and PWM14_1. PWM channels can be individually enabled by corresponding bits in the PWME register provided PWM_Tmr bit is not set (timer mode start bit).

14.4 Functional description

14.4.1 8 bit PWM

The base frequency of a 8 bit resolution channel is derived from the overflow of a six bit counter.

On every counter overflow, the enabled PWM lines would be set to 1. Except in the case when compare value is set to zero.

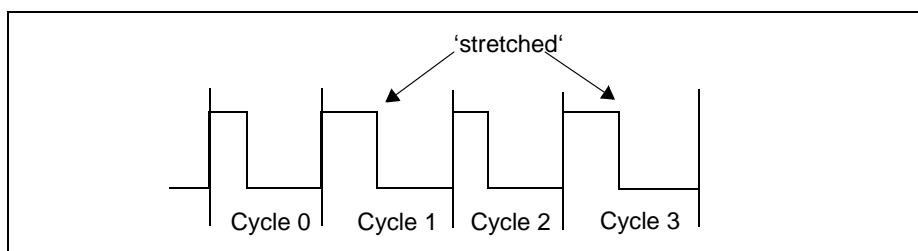
In case the comparator bits (7...2) are set to 1, the high time of the base cycle is 63 clock cycles. In case all the comparator bits (7...0) including the stretching bits are set to 1, the high time of the full cycle (4 base cycles) is 255 clock cycles.

The corresponding PWCOMP8x register determines the duty cycle of the channel. When the counter value is equal to or greater than the compare value then the output channel is set to zero. The duty cycle can be adjusted in steps of fpwm as mentioned in the table.

In order to achieve the same resolution as 8 bit counter, the high time is stretched periodically by one clock cycle. Stretching cycle is determined based on the two least significant bits in the corresponding PWCOMP8x register.

The relationship for stretching cycle can be seen in the following table and the example below.

PWCOMP8X	Cycle stretched
Bit 1	1,3
Bit 0	2



14.4.2 14 bit PWM

The base frequency of a 14 bit resolution channel is derived from the overflow of a eight bit counter.

On every counter overflow, the enabled PWM lines would be set to 1. Except in the case when compare value is set to zero.

The corresponding PWCOMP14x register determines the duty cycle of the channel. When the counter value is equal to or greater than the compare value then the output channel is set to zero. The duty cycle can be adjusted in steps of fpwm as mentioned in the table.

In order to achieve the same resolution as 14bit counter, the high time is stretched periodically by one clock cycle. Stretching cycle is determined based on the bit 7...1 in the corresponding PWCOMPEXT14x register.

PWCOMPEXT14X	Cycle stretched
Bit 7	1, 3, 5, 7, ..., 59, 61, 63
Bit 6	2,6,10, ..., 54, 58, 62
Bit 5	4,12, 20, ..., 52, 60
Bit 4	8,24,40,56
Bit 3	16,48
Bit 2	32

14.5 Cycle time

PWM Resolution	Slow Down (SD)	PWM_PR	PWM_direct	Fsys MHz	Counting Rate MHz	Base cycletime [us]	Full cycletime [us]
8 Bit	0	0	0	33.33	16.66	3.84	15.37
	1	0	0	8.33	8.33	7.68	30.73
	0	1	0	33.33	8.33	7.68	30.73
	1	1	0	8.33	4.16	15.37	61.46
	0	X	1	33.33	33.33	1.92	7.68
	1	X	1	8.33	8.33	7.68	30.73
14 Bit	0	0	0	33.33	16.66	15.37	983.4
	1	0	0	8.33	8.33	30.7	1967
	0	1	0	33.33	8.33	30.7	1967
	1	1	0	8.33	4.16	61.4	3934
	0	X	1	33.33	33.33	7.68	492
	1	X	1	8.33	8.33	30.7	1967

14.6 Power down, idle and Power save mode.

In idle mode PWMU continues to function normally, unless it has been explicitly shut off by PSAVE(PER1). Note that in In Psave mode all channels are frozen and pins are switch to port output mode making it possible to use the port lines.

In power down mode PWMU is shut off.

14.7 Timer

PWM unit uses a single 14 bit timer to generate signals for all 8 channels. Timer is mapped into SFR address space and hence is readable by the controller. Timer is enabled (running) if one of the PWM channels is enabled in PWME. If all the channels are disabled counter is stopped. Enabling one of the channels will reset the timer to 0 and start. Not that this reset is done for the first enabled channel. All other channels enabled later will drive the output from the current value of the counter.

If all the channels are disabled then it can be used as a general purpose timer, by enabling it with PWM_Tmr bit in PWCH.

Setting PWM_Tmr bit switches to timer mode and starts the timer, Timer always starts from a reset value of 0 (OV also reset to 0). Timer can be stopped any time by turning off the PWM_Tmr bit.

When timer overflows it sets an over flow bit OV(bit 6) PWCH and interrupt bit CISR0(PWtmr) in the central interrupt register. If the corresponding interrupt enable bit is EPW(IEN2) is set the interrupt would be serviced. OV bit and PWtmr bits must be reset by the software.

Note that before utilizing the timer for PWM channels PWM_Tmr bit must be reset.

Note that On reset CISR0(PWtmr) bit is initialized to 0, however if counter overflows this bit might be set along with OV bit. However clearing OV bit does not clear the CISR0(PWtmr) bit. Therefore software must clear this bit before enabling the corresponding interrupt.

14.8 Control registers

All control register for PWM are mapped in the SFR address space. Their address and bit description is given below.

Note that controller can write any time into these registers. However registers PWM_COMP8_X, PWM_CPMP14_X and PWM_CPMPEXT14_X, including the bits PWM_direct and PWM_PR are double buffered and values from shadow registers are only loaded into the main register in case timer overflows or timer is stopped (PWME = 00h). of 8 bit counter.

Overflow for 8 bit PWM occurs at the overflow of 6 bit counter and overflow for 14 bit counter occurs at the overflow

When any of the PWM channels is not used associated compare register can be used as general purpose registers, except PWM_En and PWCOMPEXT14_0 bit 0 and 1..

Default after reset: 00_H **PWM_En** SFR-Address CE_H
 (MSB) (LSB)

PE7	PE6	PE5	PE4	PE3	PE2	PE1	PE0
-----	-----	-----	-----	-----	-----	-----	-----

E7 - E0; 0: The corresponding PWM-channel is disabled. P1.i functions as normal bidirectional I/O-port.

E7 - E0; 1: The corresponding PWM-channel is enabled. PE0...PE5 are channels with 8-bit resolution, while PE6 and PE7 are channels with 14-bit resolution.

Default after reset: 00_H **PWM_COMP8_X = 0 to 5** SFR-Address C1_H-C6_H
 (MSB) (LSB)

PC8X_7	PC8X_6	PC8X_5	PC8X_4	PC8X_3	PC8X_2	PC8X_1	PC8X_0
--------	--------	--------	--------	--------	--------	--------	--------

Bit 7 - Bit 2 These bits define the high time of the output. If all bits are 0, the high time is 0 internal clocks. If all bits are 1, the high time of a base cycle is 63 internal clocks.

Bit 1 If this bit is set, every second PWM-Cycle is stretched by one internal clock, regardless of the settings of Bit7 ... Bit2.

Bit 0 If this bit is set, every fourth PWM-Cycle is stretched by one internal clock, regardless of the settings of Bit7 ... Bit2.

Default after reset: 00_H **PWM_COMP14_X = 0,1** SFR-Address C7_H,C9_H
 (MSB) (LSB)

PC14X_7	PC14X_6	PC14X_5	PC14X_4	PC14X_3	PC14X_2	PC14X_1	PC14X_0
---------	---------	---------	---------	---------	---------	---------	---------

Bit 7 - Bit 0 This bits define the high time of the output. If all bits are 0, the high time is 0 internal clocks. If all bits are 1, the high time of a base cycle is 255 internal clocks.

Preliminary & Confidential

Pulse Width Modulation Unit

Default after reset: 00_H **PWCOMPEXT14Y= 0,1** SFR-Address CA_H,CB_H
 (MSB) (LSB)

PCX14Y_7	PCX14Y_6	PCX14Y_5	PCX14Y_4	PCX14Y_3	PCX14Y_2	PCX14Y_1	PCX14Y_0
----------	----------	----------	----------	----------	----------	----------	----------

- Bit 7** If this bit is set, every second PWM-Cycle is stretched by one internal clock.
- Bit 6** If this bit is set, every fourth PWM-Cycle is stretched by one internal clock.
- Bit 5** If this bit is set, every eighth PWM-Cycle is stretched by one internal clock.
- Bit 4** If this bit is set, every 16th PWM-Cycle is stretched by one internal clock.
- Bit 3** If this bit is set, every 32th PWM-Cycle is stretched by one internal clock.
- Bit 2** If this bit is set, every 64th PWM-Cycle is stretched by one internal clock.
- Bit 1** PWCOMEXT14_1 this bit is reserved for future use.
 PWM_direct PWCOMEXT14_0, PWM_direct: If set, the counting rate of the PWM (and the timer) is direct the incoming clock (33.33 MHz or 8.33 MHz in Slow-Down-Mode), then the Bit PWM_PR is ignored. This bit effects all PWM channels and the timer-mode.
- Bit 0** PWCOMEXT14_1 this bit is reserved for future use.
 PWM_PR PWCOMEXT14_0,PWM_PR when this bit is set input counting frequency is divided by 2 (PR bit).

Note: The described operation is independent of the setting of PWCOMP14_x .

Note: The stretch operation is interleaved between PWM-Cycles.

Preliminary & Confidential

Pulse Width Modulation Unit

Default after reset: 00_H

PWCL

SFR-Address CC_H

(MSB)

(LSB)

PWC_7	PWC_6	PWC_5	PWC_4	PWC_3	PWC_2	PWC_1	PWC_0
-------	-------	-------	-------	-------	-------	-------	-------

Bit 7 - Bit 0

This bits are the low order 8 Bits of the 14 Bit PWM-Counter. This register can only be read.

Default after reset: 00_H

PWCH

SFR-Address CD_H

(MSB)

(LSB)

PWM_Tmr	OV	PWC_13	PWC_12	PWC_11	PWC_10	PWC_9	PWC_8
---------	----	--------	--------	--------	--------	-------	-------

PWM_Tmr

Start/stop timer when all PWM channels are disabled.
 If this bit is set, the PWM timer will be reset and starts counting.
 If this bit is cleared, the PWM timer stops.
 The PWM_Tmr bit could not be written (set) if one of the PWM channels is enabled (PWM_en not all zero).
 PWM_en register could not be written (set) if the PWM_Tmr bit is set.

OV

Overflow bit for the timer mode.

Bit 5 - Bit 0

These bits are the high order 6 Bits of the 14 Bit PWM-Counter. This register can only be read.

15 Watchdog Timer

Watch dog timer is a 16 bit up counter which can be programmed to clock by $f_{\text{wdt}}/2$ or $f_{\text{wdt}}/128$. The current count value of the watchdog timer is contained in the watchdog timer register WDT_High and WDT_Low, which are read-only registers. Control and refresh function of the WDT is controlled by WDT_Refresh and WDT_Ctrl.

Additionally counter can be used as a general purpose timer in timer mode and the associated load register can be used either as load register or independent scratch register by the user.

15.1 Input clock

Input clock f_{wdt} is same as CPU clock f_{sys} divided by 12 (i.e. machine cycle) is fed to the WDT either as divide-by-2 or divide-by-128. Divide factor is determined by WDT_In(WDT_ctrl) equal 0 and 1 respectively. WDT_In has the same functionality in both watch dog mode and timer mode.

15.2 Starting WDT

WDT can be started if the WDT unit is in the Watch dog mode (WDT_Tmr = 0)

WDT is started by setting the bit WDT_Start in the WDT_Ctrl register. Immediately after the start (1 clock cycle) the reload value from WDT_Rel register is copied to the WDT_High. WDT_Low is always reset to 0 upon start.

Value can be written to WDT_Rel any time during normal controller operation. Value is only loaded to the counter upon start, refresh or watchdogreset (if WDT_nARST is set).

Note that Counter registers are read only and cannot be directly written by the controller.

15.3 Refresh

Once WDT is started it cannot be stopped by software. (Note that while WDT is running any change to WDT_tmr bit would be ignored.) A refresh to the WDT is required before the counter overflows. Refreshing WDT requires two instruction sequence whereby first instruction sets WDT_Ref bit and the next instruction sets the WDT_Start bit. (For example if there is NOP between these two instructions, refresh would be ignored). This double instruction refresh minimizes the chances of unintentional reset of the watchdog timer. Once set, WDT_Ref bit is reset by the hardware after three machine cycles.

Refresh causes WDT_low to reset to 00h and loads the reload value to from WDT_Rel to WDT_High.

15.4 WDT reset

If software fails to refresh the WDT before the counter overflows after $FFFF_h$, an internally generated watchdog reset is entered.

Watchdog timer reset differs only from the normal reset in that during normal reset all the WDT relevant bits in the three registers WDT_Rel, WDT_Refresh, WDT_control are reset to 00_h . Counter gets initialized to 0000_h .

In case of watchdog reset, WDT_Start and WDT_nARST are not reset. Bit WDT_Rst(read only) is set to indicate the source of the reset. In addition the WDT reset does not reset the PLL and clock generator.

If the WDT_nARst bit is set then the values in the WDT_Rel are retained after the WDT reset and counter starts with the same pre-scaler (WDT_in) and reload configuration as before reset. If WDT_nARst is not set then upon watchdog reset, WDT_Rel is reset to $00h$ and WDT_In to 0.

After the WDT reset counter starts again and must be refreshed by the processor in order to avoid further WDT resets.

Duration of the WDT reset is sufficient to ensure proper reset sequence.

15.5 Power down mode

WDT is shut off during power down mode along with the rest of the peripherals.

In idle mode the WDT(in watch dog mode) is frozen, in timer mode it continues it's operation. In power save mode PSAVE(PERI) watchdog continues it's operation any write to this bit is ignored. If in timer mode the timer can be frozen by setting this bit.

15.6 Time period

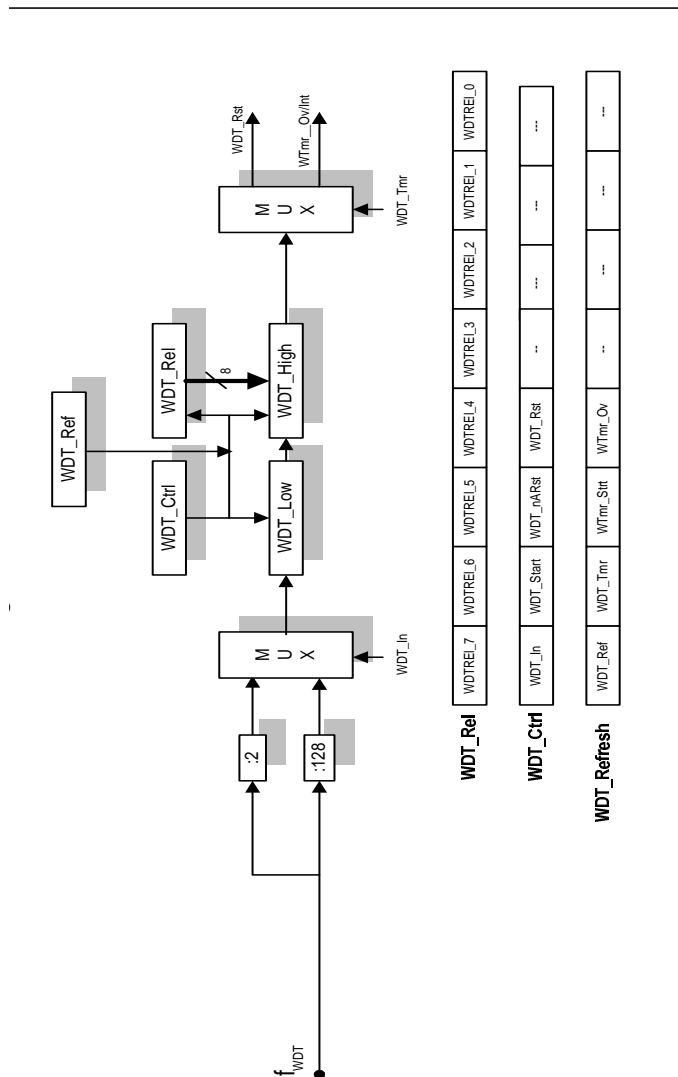
The period between refreshing the watchdog timer and the next overflow can be determined by the following formula.

$$P_{WDT} = [2^{(1+WDT_In) \times 6} \times (2^{16} - (WDT_Rel) \times 2^8)] / [F_{WDT}]$$

Based on 33.33 Mhz system clock minimum time period and maximum time period are as defined below.

	f_{system}	WDT_In	WDT_Rel	P_{WDT}
Min	33.33 MHz	0	FF_h	184.3 micro sec
Max	33.33 Mhz	1	00_h	3.02 sec

15.7 Block Diagram



15.8 WDT as general purpose timer.

WDT counter can be used as a general purpose timer in timer mode and the associated load register can be used either as load register or independent scratch register for the programmer. This is achieved by setting WDT_Tmr bit.

WDT_Tmr bit can only be set before starting the WDT timer. Once watchdog timer is started it is not possible to switch to general purpose timer mode.

If WDT_Tmr bit is set then timer can be started using WTmr_Strt bit. When timer is started it;

- a) Resets the WTmr_OV overflow flag.
- b) Loads the preload value from WDT_Rel and starts counting up.

Upon overflow WDT_Rst bit is not set neither is internal watchdog reset initiated. Overflow is indicated by the bit WTmr_Ov(r/w). Overflow also sets the interrupt source bit CISR0(WTmr). Both of these bits are set by hardware and must be cleared by software. If corresponding watchdog timer interrupt enable IE1(EWT) bit is set then upon overflow interrupt is initiated.

After overflow timer starts to count from WDT_Rel. It is possible for the processor to stop the timer by resetting the WTmr_strt bit any time.

While timer is running, WDT_Tmr bit cannot be toggled any write to this bit is ignored. To reset the WDT_Tmr bit, either timer is stopped (WTmr_Strt) . However it is possible to stop the timer (WTmr_Strt) and toggle (WDT_Tmr)with the same instruction.



SDA 55xx

Preliminary & Confidential

Watchdog Timer

16 Analog Digital Converter (CADC)

TVTpro includes a four channel 8-bit ADC for control purposes. By means of these four input signals the controller is able to supervise the status of up to four analog signals and take actions if necessary.

This analog signals can be connected to the port4 inputs without a special configuration. If the port pins of port 4 are used as digital input, make sure that the input high level never exceeds VDDA.

The input range of the ADC is fixed to the analog supply voltage range (2.5V nominal).

The conversion is done continuously on all four channels the results are stored in the SFRs CADC0...CADC3 and updated automatically every 46µs. A interrupt can be used to inform the processor about new available results.

16.1 Power Down and Wake Up

During idle mode it is required to reduce the power consumption dramatically. In order to do this for the controller ADC a special wake up unit has been included. During this mode only the signal on input channel 0 is observed. As soon as the input signal has fallen below a predefined level an interrupt is triggered and the system wakes up. Two different levels are available. The first one corresponds to (fullscale-4 LSB) the second one to (fullscale-16 LSB). The actual level can be selected by a control bit (ADWULE).

Nevertheless it is possible to send even this wake up unit into power down (for detailed description refer to power down chapter).

16.2 Register Description

Default after reset: 00_H **CADC0** SFR-Address D1
 (MSB) (LSB)

CADC0(7)	CADC0(6)	CADC0(5)	CADC0(4)	CADC0(3)	CADC0(2)	CADC0(1)	CADC0(0)
----------	----------	----------	----------	----------	----------	----------	----------

CADC0(7..0): ADC result of channel 1

After finishing the A to D conversion the processor is informed by means of an interrupt. The interrupt service routine can now take the conversion result of channel 1 from CADC0. The result will be available for about 46µs after the interrupt.

Preliminary & Confidential

Analog Digital Converter (ADC)

Default after reset: 00_H

CADC1

SFR-Address D2

(MSB)

(LSB)

CADC1(7)	CADC1(6)	CADC1(5)	CADC1(4)	CADC1(3)	CADC1(2)	CADC1(1)	CADC1(0)
----------	----------	----------	----------	----------	----------	----------	----------

CADC1(7..0): ADC result of channel 2

After finishing the A to D conversion the processor is informed by means of an interrupt. The interrupt service routine can now take the conversion result of channel 2 from CADC1. The result will be available for about 46µs after the interrupt.

Default after reset: 00_H

CADC2

SFR-Address D3

(MSB)

(LSB)

CADC2(7)	CADC2(6)	CADC2(5)	CADC2(4)	CADC2(3)	CADC2(2)	CADC2(1)	CADC2(0)
----------	----------	----------	----------	----------	----------	----------	----------

CADC2(7..0): ADC result of channel 3

After finishing the A to D conversion the processor is informed by means of an interrupt. The interrupt service routine can now take the conversion result of channel 3 from CADC2. The result will be available for about 46µs after the interrupt.

Preliminary & Confidential
Analog Digital Converter (ADC)

 Default after reset: 00_H
CADC3

SFR-Address D4

(MSB)

(LSB)

CADC3(7)	CADC3(6)	CADC3(5)	CADC3(4)	CADC3(3)	CADC3(2)	CADC3(1)	CADC3(0)
----------	----------	----------	----------	----------	----------	----------	----------

CADC3(7..0): ADC result of channel 4

After finishing the A to D conversion the processor is informed by means of an interrupt. The interrupt service routine can now take the conversion result of channel 4 from CADC3. The result will be stable for about 50μs after the interrupt.

 Default after reset: 00_H
CADCCO

SFR-Address D5

(MSB)

(LSB)

			ADWULE	AD3	AD2	AD1	AD0
--	--	--	--------	-----	-----	-----	-----

- AD0** Defines whether the port-pin is used as analog input or as digital input
 0: port pin is digital input (the analog value has less precision)
 1: port pin is analog input (the digital value is always 0)
- AD1** Defines whether the port-pin is used as analog input or as digital input
 0: port pin is digital input (the analog value has less precision)
 1: port pin is analog input (the digital value is always 0)
- AD2** Defines whether the port-pin is used as analog input or as digital input
 0: port pin is digital input (the analog value has less precision)
 1: port pin is analog input (the digital value is always 0)
- AD3** Defines whether the port-pin is used as analog input or as digital input
 0: port pin is digital input (the analog value has less precision)
 1: port pin is analog input (the digital value is always 0)

Preliminary & Confidential**Analog Digital Converter (ADC)**

ADWULE(4) Defines threshold level for wake up
A special wake up unit has been included to allow a system walk-up as soon as the analog input signal on pin CIN0 drops below a predefined level.
ADWULE defines this level.
ADWULE=0: threshold level corresponds to fullscale-4LSB
ADWULE=1: threshold level corresponds to fullscale-16LSB

Default after reset: 00_H (MSB) **CISR0 bit addressable** SFR Address C0_H (LSB)

L24	ADC	WTmr	AVS	DVS	PWtmr	AHS	DHS
-----	-----	------	-----	-----	-------	-----	-----

- L24** refer to Interrupts
- ADC** 1: Analog to digital conversion complete source bit set by hardware
0: Analog to digital conversion complete source bit must be reset by software
- WTmr** refer to Interrupts
- AVS** refer to Interrupts
- DVS** refer to Interrupts
- PWtmr** refer to Interrupts
- AHS** refer to Interrupts
- DHS** refer to Interrupts

Preliminary & Confidential **Analog Digital Converter (CADC)**

Default after reset: 00_H **CISR1 bit addressable** SFR Address C8_H
 (MSB) (LSB)

CC	ADW					IEX1	IEX0
----	-----	--	--	--	--	------	------

- CC** refer to Interrupts
- ADW** 1: ADC wake up interrupt source bit set by hardware
0:ADC wake up interrupt source bit must be reset by software
- IEX1** refer to Interrupts
- IEX0** refer to Interrupts

Default after reset: 00_h **PSAVE bit addressable** SFR-Address D8_H
 (MSB) (LSB)

--	--	--	CADC	WAKUP	SLI_ACQ	DISP	PERI
----	----	----	------	-------	---------	------	------

--	Not used
CADC	CADC 0: Power save Mode not started 1: Power save Mode started In Power save mode CADC is disabled but the CADC-Wake-Up-Unit is active.
WAKUP	Wake up of CADC 0: Power save Mode not started 1: Power save Mode started In Power save mode ADC wake up unit of CADC is disabled. Note that Power save mode of wake up unit is only useful in saving power when CADC bit is set.
SLI_ACQ	refer to power saving modes
DISP	refer to power saving modes

PERI refer to power saving modes

Default after reset: 00h PCON SFR-Address 87_H
 (MSB) (LSB)

SMOD	PDS	IDLS	SD	GF1	GF0	PDE	IDLE
------	-----	------	----	-----	-----	-----	------

SMOD refer to UART

PDS
Power Down Start Bit
 0: Power Down Mode not started
 1: Power Down Mode started
 The instruction that sets this bit is the last instruction before entering power down mode. Additionally, this bit is protected by a delay cycle. Power down mode is entered, if and only if bit PDE was set by the previous instruction. Once set, this bit is cleared by hardware and always reads out a 0.
The ADC is completely switched off (no wake up possible).

IDLS
Idle Start Bit
 0: Idle Mode not started
 1: Idle Mode started
 The instruction that sets this bit is the last instruction before entering idle mode. Additionally, this bit is protected by a delay cycle. Idle mode is entered, if and only if bit IDLE was set by the previous instruction. Once set, this bit is cleared by hardware and always reads out a 0.
The ADC is switched off but the ADC-Wake-Up-Unit is active.

GF1 refer to UART

GF0 refer to UART

SD refer to power saving modes

PDE refer to power saving modes

IDLE refer to power saving modes

17 Sync System

17.1 General Description

The display sync system is completely independent from the acquisition sync system (CVBS timing) and can either work as a sync master or as a sync slave system. Talking about 'H/V-Syncs' in this chapter and in chapter display generator always refers to display related H/V Syncs and never to CVBS related sync timing.

In sync slave mode TVTpro receives the synchronisation information from two independent pins which deliver separate horizontal and vertical signals or a sandcastle impulse from which the horizontal and vertical sync signals are separated internally. Due to the not line locked pixel clock generation (refer to chapter 'Clock Processing') it can process any possible horizontal and vertical sync frequency.

In sync master mode of TVTpro delivers separate horizontal and vertical signals with the same flexibility in the programming of their periods as in sync slave mode.

17.1.1 Screen Resolution.

The number of displayable pixels on the screen is defined by the pixel frequency (which is independent from horizontal frequency), the line period and number of lines within a field. The screen is divided in three different regions:

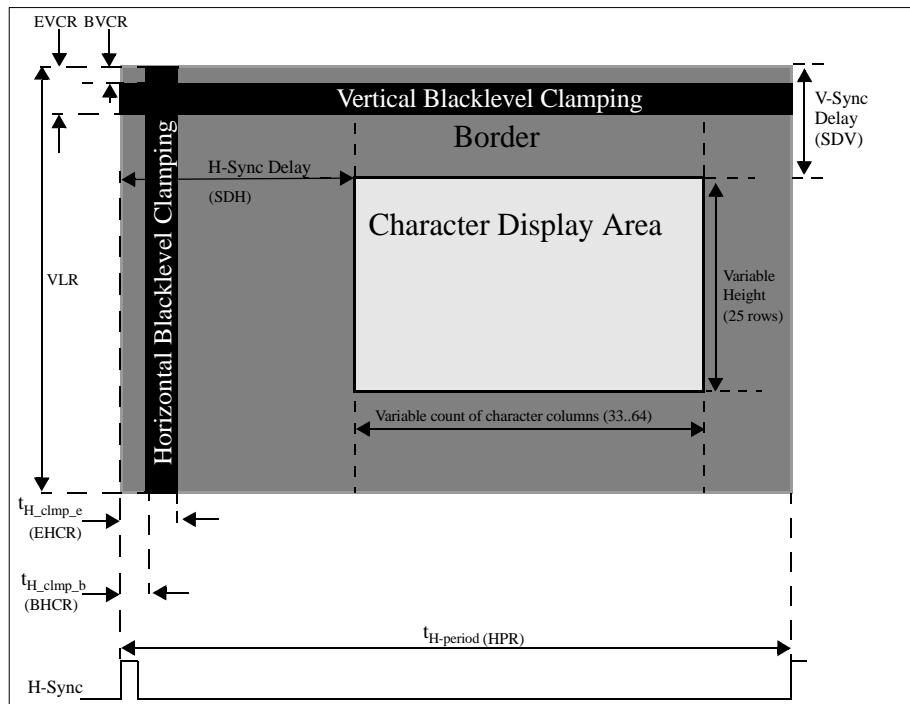


Figure 16 TVTpro's Display Timing

Blacklevel Clamping Area

During horizontal and vertical blacklevel clamping, the black value (RGB = 000) is delivered on output side of TVTpro. Inside this area the BLANK pin and COR pin are set to the same values which are defined as transparency for subCLUT0 (see also 18.4.7). This area is programmable in vertical direction (in terms of lines) and in horizontal direction in terms of 33.33 MHz clock cycles.

Border Area

The size of this area is defined by the sync delay registers (SDH and SDV) and the size of the character display area. The color and transparency of this area is defined by a color look up vector (see also 18.4.3).

Character Display Area

Characters and their attributes which are displayed inside this area are free programmable according to the specifications of the display generator (see also 18.2). The start position of that area can be shifted in horizontal and vertical direction by programming the horizontal and vertical sync delay registers (SDH and SDV). The size of that area is defined by the instruction FSR in the display generator.

Registers which allow to set up the screen and sync parameters are given in the table below.

Table 18 Overview on Sync Register Settings

Parameters	Register	Min Value	Max Value	Step	Default
Sync Control Register	SCR	see below			
VL - Lines / Field	VLR	1 line	1024 lines	1 line	625 lines
T _{h-period} - Horizontal Period	HPR	15 µs	122,8 µs	30 ns	64 µs
F _{pixel} - Pixel Frequency	PFR	10 MHz	32 MHz	73,25 KHz	12,01 MHz
T _{vsync_delay} - Sync Delay	SDV	4 lines	1024 lines	1 line	32 lines
T _{hsync_delay} - Sync Delay	SDH	32 pixel	2048 pixel	1 pixel	72 pixel
BVCR - Beginning Of Vertical Clamp Phase	BVCR	1 line	1024 lines	1 line	line 0
EVCR - End Of Vertical Clamp Phase	EVCR	1 line	1024 lines	1 line	line 4
T _{h_clmp_b} - Beginning Of Horizontal Clamp Phase	BHCR	0 µs	122,8 µs	480 ns	0 µs
T _{h_clmp_e} - End Of Horizontal Clamp Phase	EHCR	0 µs	122,8 µs	480 ns	4,8 µs

User has to take care for a setting of PFR and SDH so that SDH/PFR is greater than 2µs.

17.1.2 Sync Interrupts

The sync unit delivers interrupts (Horizontal and vertical interrupt) to the controller to support the recognition of the frequency of an external sync source. These interrupts are related to the positive edge of the non delayed horizontal and vertical impulses which can be seen at pins HSYNC and VSYNC.

17.2 Register Description

Reset: 80_h **SCR1** SFR Address E1_H
 (MSB) (LSB)

BW_CON	RGB_G_1	RGB_G_0	COR_BL	VSU(3)	VSU(2)	VSU(1)	VSU(0)
--------	---------	---------	--------	--------	--------	--------	--------

Reset: 00_h **SCR0** SFR Address E2_H
 (MSB) (LSB)

RGB_D(1)	RGB_D(0)	HP	VP	INT	SNC	VCS	MAST
----------	----------	----	----	-----	-----	-----	------

Bit	Function
MAST	<p>Master / Slave Mode. This bit defines the configuration of the sync system (<i>master or slave mode</i>) and also the direction (input/output) of the V, H pins. 0: Slave mode. H, V pins are configured as inputs. 1: Master mode. H, V pins are configured as outputs. <i>Note: Switching from slave to master mode resets the internal H, V counters, so that the phase shift during the switch can be minimized. In slave mode registers VLR, and HPR are without any use.</i></p>
VCS	<p>Video Composite Sync VCS defines the sync output at pin V (<i>Master mode only</i>). 0: At pin V the vertical sync appears. 1: At pin V a composite sync signal (including equalizing pulses, H-Sync and V-Syncs) is generated (VCS). The length of the equalizing pulses have fixed values as described in the timing specifications. <i>Note: Don't forget to set registers VLR and HPR (64us) according to your requirements.</i></p>

Bit	Function
SNC	<p>Sandcastle Sync (<i>Slave mode only</i>)</p> <p>Two input pins are reserved for synchronisation. These input pins can be used as two separated sync inputs or as one single sync input. If two separated sync inputs is selected horizontal syncs are fed in at H pin and vertical syncs are fed in at V pin. If one single input pin is selected H pin is used as a sandcastle input pin.</p> <p>0: H/V-sync input at H/V pins 1: Sandcastle input H pin</p>
INT	<p>Interlace / Non-interlace.</p> <p>TVTpro can either generate an interlaced or a non-interlaced timing. (<i>Master mode only</i>). Interlaced timing can only be created if VLR is an odd number.</p> <p>0: Interlaced timing is generated. 1: Non-interlaced timing is generated.</p>
VP	<p>V-Pin Polarity.</p> <p>This bit defines the polarity of the V pin (<i>master and slave mode</i>).</p> <p>0: Normal polarity (active high). 1: Negative polarity.</p>
HP	<p>H-Pin Polarity.</p> <p>This bit defines the polarity of the H pin. (<i>Master and slave mode</i>).</p> <p>0: Normal polarity (active high). 1: Negative polarity.</p>
RGB_D(1..0)	<p>RGB/COR Delay Circuitry</p> <p>In some applications of our customers the blanking is fed through other devices before it is used as a signal to control the multiplexing of video/RGB-mix. These other devices may create a delay of the blank signal. If no special effort is taken, this delay would create a vertical band at the beginning and the end of the active blanking zone.</p> <p>To compensate this, the generated RGB and the COR signals can be delayed by TVTpro in reference to the generated blank signal. This delay is always a multiple of the pixel-frequency from zero delay up to 3 times pixel delay:</p> <p>00: zero delay of RGB/COR-output in reference to BLANK-output 01: one pixel delay of RGB/COR-output in reference to BLANK-output 10: two pixel delay of RGB/COR-output in reference to BLANK-output 11: three pixel delay of RGB/COR-output in reference to BLANK-output</p>

Bit	Function
VSU (3...0)	<p>Vertical Set Up Time. (Slave mode only)</p> <p>The vertical sync signal is internally sampled with the next edge of the horizontal sync edge. The phase relation between V and H differs from application to application. To guarantee (vertical) jitter free processing of external sync signals, the vertical sync impulse can be delayed before it is internally processed. The following formula shows how to delay the external V-sync before it is internally latched and processed.</p> $t_{V_delay} = 3.84 \text{ us} * VSU$
CORBL	<p>3-Level Contrast Reduction Output</p> <p>There is one pin each for BLANK and COR. Nevertheless by means of CORBL the user is able to switch the COR signal to a three level signal providing BLANK and contrast reduction information on Pin COR simultaneously.</p> <p>0: Two level signal for contrast reduction. 1: Three level signal Level0: BLANK off; COR off. Level1: BLANK off; COR on. Level2: BLANK on; COR off.</p> <p><i>Note: Please refer to chapter "Electrical Specifications" for the detailed specification of these Levels.</i></p>
RGB_G_0	Used for DAC setup purpose. See also description of DAC.
RGB_G_1	Used for DAC setup purpose. See also description of DAC.
BW_CON	Used for DAC setup purpose. See also description of DAC.

Preliminary & Confidential

Sync System

Default after reset: 00_H

CISR0 bit addressable

SFR Address C0_H

(MSB)

(LSB)

L24	ADC	WTmr	AVS	DVS	PWtmr	AHS	DHS
-----	-----	------	-----	-----	-------	-----	-----

L24 See Chapter interrupt

ADC See Chapter interrupt

WTmr See Chapter interrupt

AVS See Chapter interrupt

DVS 1: Display Vertical sync interrupt source bit set by hardware
0: Display Vertical sync interrupt source bit must be reset by software

PWtmr See Chapter interrupt

AHS See Chapter interrupt

DHS 1: Display horizontal sync interrupt source bit set by hardware
0: Display horizontal sync interrupt source bit must be reset by software

DHS is used as a interface from H input pin to software interrupt routines. These interrupt routines can be used for detection of the frequency of a external sync source. Is set by the HW and must be resetted by the SW.

DVS is used as a interface from V input pin to software interrupt routines. These interrupt routines can be used for detection of the frequency of a external sync source. Is set by the HW and must be resetted by the SW.

Preliminary & Confidential

Sync System

Reset: 02_h

VLR1

SFR Address EE_H

(MSB)

(LSB)

-	ODD_EV	VSU2(3)	VSU2(2)	VSU2(1)	VSU2(0)	VLR(9)	VLR(8)
---	--------	---------	---------	---------	---------	--------	--------

Reset: 71_h

VLR0

SFR Address EF_H

(MSB)

(LSB)

VLR(7)	VLR(6)	VLR(5)	VLR(4)	VLR(3)	VLR(2)	VLR(1)	VLR(0)
--------	--------	--------	--------	--------	--------	--------	--------



Preliminary & Confidential

SDA 55xx

Sync System



Bit	Function
ODD_EV	ODD/EVEN detection (Slave mode only) Used as a interface from the hardware odd/even field detection to software Set to 1 for odd fields and to 0 for even fields.

Bit	Function
VSU2(3...0)	<p>Vertical Set Up Time 2 (Slave mode only)</p> <p>To realize the odd/even detection of a field next to VSU a second vertical setup time VSU2 is defined by the VSU2 register bits. This horizontal delay is used to recognize the Vsync to another time than it is recognized at VSU. The field detection is realized by detecting if in between these two latching-points the VSync is rising or stable:</p> $t_{V_delay2} = 3.84 \text{ us} * \text{VSU2}$ <p>If VSYNC became active for both VSU and VSU2, an odd field is detected. If VSYNC became active only for VSU an even field is detected:</p> <p>Generated field signal bei utilization of VSU and VSU2</p> <p>with inverted VSU and VSU2:</p> <p>Generated field signal bei utilization of VSU and VSU2</p>

Bit	Function
VLR (9...0)	<p>Amount of Vertical Lines in a Frame. (<i>Master mode only</i>). TVTpro generates in sync master mode vertical sync impulses. If for example a normal PAL timing should be generated, set this register to „625d' and set the interlace bit to '0'. The hardware will generate a vertical impulse periodically after 312.5 lines. If a non-interlace picture with 312 lines should be generated, set this register to „312' and set the interlace bit to '1'. The hardware will generate a vertical impulse every 312 lines. A progressive timing can be generated by setting VLR to '625' and interlace to '0'.</p>

Preliminary & Confidential

Sync System

Reset: 08_h **HPR1** SFR Address F1_H
 (MSB) (LSB)

-	-	-	-	HPR(11)	HPR(10)	HPR(9)	HPR(8)
---	---	---	---	---------	---------	--------	--------

Reset: 55_h **HPR0** SFR Address F2_H
 (MSB) (LSB)

HPR(7)	HPR(6)	HPR(5)	HPR(4)	HPR(3)	HPR(2)	HPR(1)	HPR(0)
--------	--------	--------	--------	--------	--------	--------	--------

Bit	Function
HPR (11...0)	<p>Horizontal Period factor. (Master mode only) This register allows to adjust the period of the horizontal sync signal. The horizontal period is independent from the pixel frequency and can be adjusted with the following resolution:</p> $t_{H\text{-period}} = HP * 30 \text{ ns}$

Preliminary & Confidential

Sync System

Reset: 00_h **SDV1** SFR Address E3_H
 (MSB) (LSB)

-	-	-	-	-	-	SDV(9)	SDV(8)
---	---	---	---	---	---	--------	--------

Reset: 20_h **SDV0** SFR Address E4_H
 (MSB) (LSB)

SDV(7)	SDV(6)	SDV(5)	SDV(4)	SDV(3)	SDV(2)	SDV(1)	SDV(0)
--------	--------	--------	--------	--------	--------	--------	--------

Bit	Function
SDV (9...0)	Vertical Sync Delay. (<i>Master and slave mode</i>). This register defines the delay (in lines) from the vertical sync to the first line of character display area on the screen.

Reset: 00_h **SDH1** SFR Address E5_H
 (MSB) (LSB)

-	-	-	-	SDH(11)	SDH(10)	SDH(9)	SDH(8)
---	---	---	---	---------	---------	--------	--------

Reset: 48_h **SDH0** SFR Address E6_H
 (MSB) (LSB)

SDH(7)	SDH(6)	SDH(5)	SDH(4)	SDH(3)	SDH(2)	SDH(1)	SDH(0)
--------	--------	--------	--------	--------	--------	--------	--------

Bit	Function
SDH (11...0)	Horizontal Sync Delay. (<i>Master and slave mode</i>). This register defines the delay (in pixels) from the horizontal sync to the first pixel character display area on the screen.

Preliminary & Confidential

Sync System

Reset: 0A_h **HCR1** SFR Address E7_H
 (MSB) (LSB)

EHCR(7)	EHCR(6)	EHCR(5)	EHCR(4)	EHCR(3)	EHCR(2)	EHCR(1)	EHCR(0)
---------	---------	---------	---------	---------	---------	---------	---------

Reset: 00_h **HCR0** SFR Address E9_H
 (MSB) (LSB)

BHCR(7)	BHCR(6)	BHCR(5)	BHCR(4)	BHCR(3)	BHCR(2)	BHCR(1)	BHCR(0)
---------	---------	---------	---------	---------	---------	---------	---------

Bit	Function
BHCR (7...0)	<p>Beginning of Horizontal Clamp Phase. (Master and slave mode). This register defines the delay of the horizontal clamp phase from the positive edge of the horizontal sync impulse (normal polarity is assumed). The beginning of clamp phase can be calculated by the following formula:</p> $t_{H_clmp_b} = 480 \text{ ns} * BHCR$ <p>If EHCR is smaller than BHCR the clamp phase will appear during Hsync.</p>
EHCR (7...0)	<p>End of Horizontal Clamp Phase. (Master and slave mode). This register defines the end of the horizontal clamp phase from the positive edge of the horizontal sync impulse (at normal polarity). The end of clamp phase can be calculated by the following formula:</p> $t_{H_clmp_e} = 480 \text{ ns} * EHCR$ <p>If EHCR is smaller than BHCR the clamp phase will appear during Hsync.</p>

The clamp phase area has higher priority than the screen background area or the character display area and can be shifted independently from any other register.

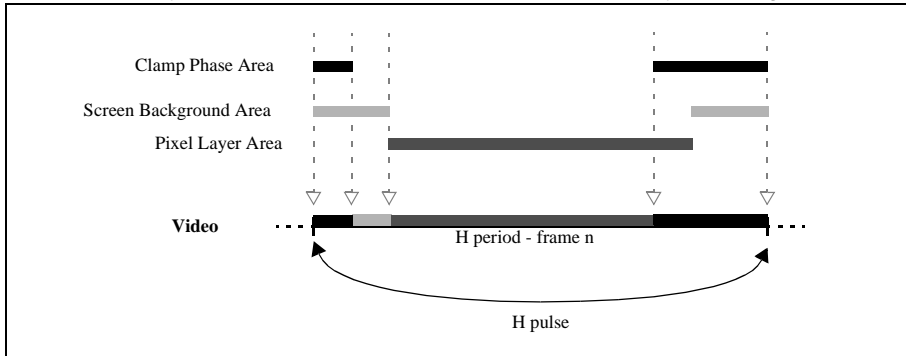


Figure 17 Priority of Clamp Phase, Screen Background and Pixel Layer Area.

Preliminary & Confidential

Sync System

Reset: 00_h **BVCR1** SFR Address EA_H
 (MSB) (LSB)

-	-	-	-	-	-	BVCR(9)	BVCR(8)
---	---	---	---	---	---	---------	---------

Reset: 00_h **BVCR0** SFR Address EB_H
 (MSB) (LSB)

BVCR(7)	BVCR(6)	BVCR(5)	BVCR(4)	BVCR(3)	BVCR(2)	BVCR(1)	BVCR(0)
---------	---------	---------	---------	---------	---------	---------	---------

Bit	Function
BVCR (9...0)	Beginning of Vertical Clamp Phase. (Master and slave mode). This register defines the beginning of the vertical clamp phase from the positive edge of the vertical sync impulse (at normal polarity) in count of lines. If EVCR is smaller than BVCR than the clamp phase will appear during Vsync.

Reset: 00_h **EVCR1** SFR Address EC_H
 (MSB) (LSB)

-	-	-	-	-	-	EVCR(9)	EVCR(8)
---	---	---	---	---	---	---------	---------

Reset: 04_h **EVCR0** SFR Address ED_H
 (MSB) (LSB)

EVCR(7)	EVCR(6)	EVCR(5)	EVCR(4)	EVCR(3)	EVCR(2)	EVCR(1)	EVCR(0)
---------	---------	---------	---------	---------	---------	---------	---------

Bit	Function
EVCR (9...0)	End of Vertical Clamp Phase. (Master and slave mode). This register defines the end of the vertical clamp phase from the positive edge of the vertical sync impulse (at normal polarity) in count of lines. If EVCR is set to a value smaller than BVCR than the vertical blanking phase will last over the vertical blanking interval. If EVCR is smaller than BVCR than the clamp phase will appear during Vsync.



Preliminary & Confidential

Sync System

Reset: 00_h

SNDCSTL

SFR Address DF_H

(MSB)

(LSB)

-	HYS	SND_V (2)	SND_V (1)	SND_V (0)	SND_H (2)	SND_H (1)	SND_H (0)
---	-----	--------------	--------------	--------------	--------------	--------------	--------------

Bit	Function
SND_H (2...0)	<p>Slicing Level Horizontal Sync-Pulses<i>(Slave mode/Sandcastle input)</i>. To fit the requirements of various applications the input circuit of the sandcastle decoder is free programmable. The slicing levels for the horizontal pulses can be varied in a range from 1.33V up to 2.50V in steps of about 0.16 V:</p> <p>000: Horizontal Slicing Level set to 1.33V 001: Horizontal Slicing Level set to 1.50V 010: Horizontal Slicing Level set to 1.67V 011: Horizontal Slicing Level set to 1.83V 100: Horizontal Slicing Level set to 2.00V 101: Horizontal Slicing Level set to 2.17V 110: Horizontal Slicing Level set to 2.33V 111: Horizontal Slicing Level set to 2.50V</p> <p>These are nominal values. They may also differ with supply voltage.</p>
SND_V (2...0)	<p>Slicing Level Vertical Sync-Pulses<i>(Slave mode/Sandcastle input)</i>. To fit the requirements of various applications the input circuit of the sandcastle decoder is free programmable. The slicing levels for the vertical pulses can be varied in a range from 0.67V up to 1.83V in steps of about 0.16 V:</p> <p>000: Horizontal Slicing Level set to 0.67V 001: Horizontal Slicing Level set to 0.83V 010: Horizontal Slicing Level set to 1.00V 011: Horizontal Slicing Level set to 1.17V 100: Horizontal Slicing Level set to 1.33V 101: Horizontal Slicing Level set to 1.50V 110: Horizontal Slicing Level set to 1.67V 111: Horizontal Slicing Level set to 1.83V</p> <p>These are nominal values. They may also differ with supply voltage.</p>
HYS	<p>Definition of Hysteresis<i>(Slave mode/Sandcastle input)</i>. Defines the voltage range for the Hysteresis:</p> <p>0: Hysteresis set to 0.2V 1: Hysteresis set to 0.4V</p>

18 Display

The display is based on the requirements for a Level 1.5 Teletext and powerful additional enhanced OSD features.

The display circuit reads the contents and attribute settings of the display memory and generates the RGB data for a TV backend signal processing unit.

The display can be synchronized to external H/V sync signals (slave mode) or can generate the synchronisation signals by itself (master mode). The display can be synchronized to 50Hz as well as to 60 Hz systems. Interlaced display is supported for interlaced sync sources and non-interlaced ones.

18.1 Display Features

- Teletext Level 1.5 feature set
- ROM Character Set to Support all European Languages in Parallel
- Mosaic Graphic Character Set
- Parallel Display Attributes
- Single/Double Width/Height of Characters
- Variable Flash Rate
- Programmable Screen Size (25 Rows x 33..64 Columns)
- Flexible Character Matrixes (HxV) 12 x 9..16
- Up to 256 Dynamical Redefinable Characters in standard mode; 1024 Dynamical Redefinable Characters in Enhanced Mode
- Up to 16 Colors for DRCS Character
- One out of Eight Colors for Foreground and Background Colors for 1-bit DRCS and ROM Characters
- Shadowing
- Contrast Reduction
- Pixel by Pixel Shiftable Cursor With up to 4 Different Colors
- Support of Progressive Scan

18.2 Display Memory

The display memory is located inside the internal XRAM. The start address of the display memory is at memory address $DISPOINT_h$. This memory address is defined by the user due to a pointer. For each character position three bytes in the display memory are reserved. These three bytes are stored in a serial incremental order for each character and used to define the display attributes of each single character position. The complete amount of allocated display memory depends on the display resolution. In vertical direction the character display area is fixed to 25 rows. In horizontal direction the character display area can be adjusted from 33 up to 64 columns. The following figure is an example for a character display area resolution of 25 rows and 40 columns:

row No.	address	i = 0d	i = 39d
0	$DISPOINT_h + 0_h + i \times 3_h$	Character Display Area		
1	$DISPOINT_h + 78_h + i \times 3_h$			
2	$DISPOINT_h + F0_h + i \times 3_h$			
...	...			
23	$DISPOINT_h + AC8_h + i \times 3_h$			
24	$DISPOINT_h + B40_h + i \times 3_h$			

Figure 18 Display Memory Organization of TVTpro

Following formula helps to calculate a memory address of a character position (X_{CH} , Y_{CH}) depending on the count of characters in horizontal direction (defined in the binary parameters $(DISALH4..DISALH0)_h$) and a display start address $DISPOINT_h$:

$$CHARADDRESS_h = DISPOINT_h + (Y_{CH} \times ((DISALH4..DISALH0)_h + 21_h) + X_{CH}) \times 3_h$$

18.3 Parallel Character Attributes

The character display area content of each character position is defined by a 3 byte character display word (CDW; see also 18.3) in display memory:

CHARACTER DISPLAY WORD:

RAM location: display memory

Byte Pos.	Bit	Name	Function	Remark
0	0	CHAR0	Used to choose a ROM or DRCS character	DRCS characters are defined by the user. Up to 16 different colors can be used within one DRCS; see also 18.3.1
	1	CHAR1		
	2	CHAR2		
	3	CHAR3		
	4	CHAR4		
	5	CHAR5		
	6	CHAR6		
	7	CHAR7		
	8	CHAR8		
1	9	CHAR9		
	10	FLASH	Control of flash modes	See also 18.3.2
	11	UH	Upper half double height	See also 18.3.3
	12	DH	Double height	See also 18.3.3
	13	DW	Double width	See also 18.3.4
	14	BOX	Control for Boxes	See also 18.4.6
	15	CLUT0	Bit0/CLUT select	See also 18.4.7
2	16	CLUT1	Bit1/CLUT select	See also 18.4.7
	17	CLUT2	Bit2/CLUT select	See also 18.4.7
	18	FG0	foreground color vector	Only used for ROM characters and 1-bit DRCS characters; Foreground-color is chosen if bit inside ROM-mask/RAM is set to '1' see also 18.4.7
	19	FG1		
	20	FG2		
	21	BG0	background color vector	Used for ROM characters and 1-bit DRCS characters; For 2-bit and 4-bit DRCS characters only used in flash mode; Background color is chosen if bit inside ROM-mask/RAM is set to '0' see also 18.4.7/18.3.2
	22	BG1		
23	BG2			

18.3.1 Access of Characters

The DRCS characters and ROM characters are accessed by a 10-bit character address inside character display word (CDW; see also 18.3).

18.3.1.1 Address Range from 0_d to 767_d

This address range can either be used to access ROM characters or to access 1-bit DRCS characters:

CHAAC	Description
0	Normal mode: Address range 0d - 767d is used to access ROM characters
1	Enhanced mode: Address range 0d - 767d is used to access 1-bit DRCS characters

see also 18.4 / Global Display Word (GDW)

18.3.1.2 Address Range from 768_d to 1023_d

The address range from 768_d to 1023_d is reserved to address the DRCS characters. This range is splitted in three parts for 1-bit DRCS, 2-bit DRCS and 4-bit DRCS. The boundary between 1-bit DRCS and 2-bit DRCS as well as the boundary between 2-bit DRCS and 4-bit DRCS are defined by two boundary pointers inside global display word (see also 18.4):

Boundary Pointer 1:

DRCS B1_3	DRCS B1_2	DRCS B1_1	DRCS B1_0	Description
0	0	0	0	Boundary1 set to 768d
0	0	0	1	Boundary1 set to 784d
0	0	1	0	Boundary1 set to 800d
0	0	1	1	Boundary1 set to 816d
....			
1	1	1	0	Boundary1 set to 992d
1	1	1	1	Boundary1 set to 1008d

see also 18.4 / Global Display Word (GDW)

Boundary Pointer 2:

Please notice: DRCSB2_3...DRCSB2_0 must be set to a greater or a equal value than DRCSB1_3...DRCSB1_0.

Preliminary & Confidential

Display

DRCS B2_3	DRCS B2_2	DRCS B2_1	DRCS B2_0	Description
0	0	0	0	Boundary1 set to 768d
0	0	0	1	Boundary1 set to 784d
0	0	1	0	Boundary1 set to 800d
0	0	1	1	Boundary1 set to 816d
....			
1	1	1	0	Boundary1 set to 992d
1	1	1	1	Boundary1 set to 1008d
see also 18.4 / Global Display Word (GDW)				

Below some examples can be found to show in which way the character addressing depends on the boundary definitions:

Example 1:

Boundary Pointer 1 set to 848d
 Boundary Pointer 2 set to 928d

Character Address		Description
From	To	
768 _d	847 _d	1-bit DRCS characters
848 _d	991 _d	2-bit DRCS characters
928 _d	1023 _d	4-bit DRCS characters

Example 2:

Boundary Pointer1 set to 848d
 Boundary Pointer2 set to 848d

Character Address		Description
From	To	
768 _d	847 _d	1-bit DRCS characters
848 _d	1023 _d	4-bit DRCS characters

Example 3:

Boundary Pointer 1 set to 768d
 Boundary Pointer 2 set to 928d

Character address		Description
From	To	
768 _d	927 _d	2-bit DRCS characters
928 _d	1023 _d	4-bit DRCS characters

18.3.2 Flash

Bit FLASH inside character display word (CDW; see also 18.3) is used to enable flash for a character:

FLASH	Description
0	steady (flash disabled)
1	flash

see also 18.3 / Character Display Word (CDW)

The meaning of the flash attribute is different for ROM characters and 1-bit DRCS characters in comparison to the meaning of flash for 2-bit and 4-bit DRCS characters.

For flash rate control see also the global attribute "FLRATE1..FLRATE0" in chapter 18.4.5.

18.3.2.1 Flash for ROM Characters and 1-bit DRCS Characters

For ROM characters and 1-bit DRCS characters enabled flash causes the foreground pixels to alternate between the foreground and background color vector.

18.3.2.2 Flash for 2-bit and 4-bit DRCS Characters

For these characters enabled flash causes the DRCS pixels to alternate between the 2-bit/ 4-bit color vector and the background color vector which is defined by the parameters BG2..BG0 inside character display word (CDW; see also 18.3).

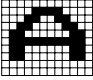
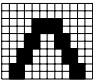
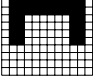
18.3.3 Character Individual Double Height

Bit UH (Upper half, double height) marks the upper part of a double height character. It is only active, if the DH bit (Double Height) is set to '1'.

Preliminary & Confidential

Display

The following table shows the influence of the DH bit and the UH bit on the character 'A':

DH	UH	Display
0	X	
1	1	
1	0	

see also 18.3 / Character Display Word (CDW)

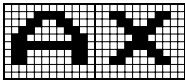
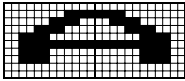
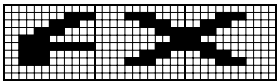
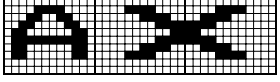
18.3.4 Character Individual Double Width

Bit DW (double width) marks the left half of a character with double width.

The character to its right will be overwritten by the right half.

If the DW bit of the following character (here the 'X') is also set to '1'; the right half of the 'A' is overwritten by the left half of the 'X'.

If a character is displayed in double width mode the attribute settings of the left character position are used to display the whole character.

DW bit		Display
Left character	Right character	
0	0	
1	0	
1	1	
0	1	

see also 18.3 / Character Display Word (CDW)

18.4 Global OSD Attributes

Next to the parallel attributes stored inside character display word there are global attributes. The settings of the global attributes affect the full screen.

The settings of the global OSD attributes are stored in the global display word (GDW; see also 18.4) within 10 Bytes in the XRAM. The location of the GDW is defined by a programmable pointer (see also 18.6).

Byte Pos.	Bit	Name	function	cross reference
0	0	DISALH0	Count of display columns in horizontal direction	see also 18.4.1
	1	DISALH1		
	2	DISALH2		
	3	DISALH3		
	4	DISALH4		
	5	PROGRESS	Used to enable progressive scan mode	see also 18.4.10
	6	---	Reserved	---
	7	---	Reserved	---
1	0	CURSEN	Enables cursor function	see also 18.4.2
	1	CURHOR0	Horizontal pixel shift of cursor to character position	
	2	CURHOR1		
	3	CURHOR2		
	4	CURHOR3		
	5	CURVER0	Vertical pixel shift of cursor to character position	
	6	CURVER1		
	7	CURVER2		

Preliminary & Confidential

Display

Byte Pos.	Bit	Name	function	cross reference	
2	0	CURVER3	Vertical pixel shift of cursor to character position	see also 18.4.2	
	1	POSHOR0	Horizontal character position of cursor		
	2	POSHOR1			
	3	POSHOR2			
	4	POSHOR3			
	5	POSHOR4			
	6	POSHOR5			
		7	POSVER0		Vertical character position of cursor
3	0	POSVER1			
	1	POSVER2			
	2	POSVER3			
	3	POSVER4			
	4	GLBT0_BOX1	Used to enable transparency of Box1. CLUT transparency of subCLUT0 can be overruled for destined pixels inside Box1.	see also 18.4.6	
	5	GLBT1_BOX1			
	6	GLBT2_BOX1			
		7	---	Reserved	---
4	0	BRDCOL0	Color vector of border	see also 18.4.3	
	1	BRDCOL1			
	2	BRDCOL2			
	3	BRDCOL3			
	4	BRDCOL4			
	5	BRDCOL5			
	6	BLA_BOX1	Used to define the overruling transparency levels for Box1	see also 18.4.6	
	7	COR_BOX1			
5	0	GDDH0	Double height of the full screen	see also 18.4.4	
	1	GDDH1			
	2	GDDH2			
	3	GLBT0_BOX0	Used to enable transparency of Box0. CLUT transparency of subCLUT0 can be overruled for destined pixels inside Box0.	see also 18.4.6	
	4	GLBT1_BOX0			
	5	GLBT2_BOX0			
	6	BLA_BOX0	Used to define the overruling transparency levels for Box0	see also 18.4.6	
	7	COR_BOX0			

Byte Pos.	Bit	Name	function	cross reference	
6	0	CHADRC0	Defines vertical resolution of DRCS characters	see also 18.4.8	
	1	CHADRC1			
	2	CHADRC2			
	3	CHAROM0	Defines vertical resolution of ROM characters		
	4	CHAROM1			
	5	CHAROM2			
	6	CHAAC	Defines character access mode		see also 18.3.1
	7	---	Reserved		---
7	0	DRCSB1_0	Used to define the boundary pointer 1 for DRCS addressing	see also 18.3.1	
	1	DRCSB1_1			
	2	DRCSB1_2			
	3	DRCSB1_3			
	4	DRCSB2_0	Used to define the boundary pointer 2 for DRCS addressing		
	5	DRCSB2_1			
	6	DRCSB2_2			
	7	DRCSB2_3			
8	0	SHEN	Enables shadow	see also 18.4.9	
	1	SHEAWE	Defines if east or west shadow is processed		
	2	SHCOL0	Defines the shadow color vector		
	3	SHCOL1			
	4	SHCOL2			
	5	SHCOL3			
	6	SHCOL4			
	7	SHCOL5			

Byte Pos.	Bit	Name	function	cross reference
9	0	CURCLUT0	Used to choose the foreground vector for the cursor (0..63)	see also 18.4.2
	1	CURCLUT1		
	2	CURCLUT2		
	3	FLRATE0	Defines the flash rate for flashing characters	see also 18.4.5
	4	FLRATE1		
	5	HDWCLUTCOR	Defines the level of COR for the colors of the hardwired CLUT	see also 18.4.7
	6	HDWCLUTBLANK	Defines the level of BLANK for the colors of the hardwired CLUT	see also 18.4.7
	7	---	Reserved	---

18.4.1 Character Display Area Resolution

The count of rows of the character display area can be adjusted in a range from 33 to 64 columns in horizontal direction. In vertical direction the character display area is fixed to 25 rows. It depends on the settings for synchronisation mode, pixel frequency and character matrix if all these columns are visible on the tube.

The programmable parameters DISALH4 to DISALH0 are the binary representation of a offset value. This offset value plus 33_d gives the count of columns:

Examples for the settings:

DISALH4	DISALH3	DISALH2	DISALH1	DISALH0	Description
0	0	0	0	0	33 columns
0	0	0	0	1	34 columns
0	0	0	1	0	35 columns
.....				
0	1	1	1	1	48 columns
1	0	0	0	0	49 columns
.....				
1	1	1	1	0	63 columns
1	1	1	1	1	64 columns

see also 18.4 / Global Display Word (GDW)

18.4.2 Cursor

The 2-bit color vector matrix of the cursor is stored in the XRAM. A programmable pointer is used, so that the matrix can be stored at any location inside the XRAM (see also 18.6.3).

The cursor matrix has the same resolution as the character matrix (see also 18.4.8).

If Global Display Double Height (see also ^{18.4.4}) is set to double height, the rows which are displayed in double height the cursor is also displayed in double height. For rows which are displayed in normal height, the cursor is also displayed in normal height. If cursor is displayed over two rows and one of these rows is displayed in double height, and the other is displayed in normal height, cursor is also partly displayed in double height and partly in normal height. Cursor-Pixels which are shifted to a non-visible row are also not displayed on the screen.

The cursor can be shifted in horizontal and vertical direction pixel by pixel all over the character display area.

CURSEN	Description
0	Cursor mode disabled
1	Cursor mode enabled

see also 18.4 / Global Display Word (GDW)

The display position of the cursor is determined by a display column value, a display row value and on pixel level by a pixel shift in horizontal and vertical direction.

Cursor can not be shifted more than one character height and one character width on pixel level. Cursor is clipped at border. In full screen double height mode (see also 18.4.4) cursor is also displayed in double height.

The pixel shift value is always related to a south-east shift:

The pixel shift is determined by the following parameters:

CURHOR3	CURHOR2	CURHOR1	CURHOR0	Description
0	0	0	0	Horizontal shift of 0
0	0	0	1	Horizontal shift of 1
0	0	1	0	Horizontal shift of 2
0	0	1	1	Horizontal shift of 3

CURHOR3	CURHOR2	CURHOR1	CURHOR0	Description
....			
1	0	1	1	Horizontal shift of 11
1	1	X	X	not allowed

see also 18.4 / Global Display Word (GDW)

CURVER3	CURVER2	CURVER1	CURVER0	Description
0	0	0	0	Vertical shift of 0
0	0	0	1	Vertical shift of 1
0	0	1	0	Vertical shift of 2
0	0	1	1	Vertical shift of 3
....			
1	1	1	0	Vertical shift of 14
1	1	1	1	Vertical shift of 15

see also 18.4 / Global Display Word (GDW)

The character position of the cursor is determined by the following parameters:

POS HOR5	POS HOR4	POS HOR3	POS HOR2	POS HOR1	POS HOR0	Description
0	0	0	0	0	0	Horizontal character column 0
0	0	0	0	0	1	Horizontal character column 1
....					
1	1	1	1	1	0	Horizontal character column 62
1	1	1	1	1	1	Horizontal character column 63

see also 18.4 / Global Display Word (GDW)

POS VER4	POS VER3	POS VER2	POS VER1	POS VER0	Description
0	0	0	0	0	Vertical character row 0
0	0	0	0	1	Vertical character row 1
0	0	0	1	0	Vertical character row 2
0	0	0	1	1	Vertical character row 3
....				
1	1	1	1	0	Vertical character row 30

POS VER4	POS VER3	POS VER2	POS VER1	POS VER0	Description
1	1	1	1	1	Vertical character row 31

see also 18.4 / Global Display Word (GDW)

Character position and pixel position have to be changed in parallel. Otherwise it may appear that the character position already has been changed to a new position, but the pixel position is still set to the former value. This may cause a "jumping" cursor.

To avoid this "jumping" cursor there is a EN_LD_GDW (enable load GDW) bit in the SFR bank. If this bit is set to "0" the global display word can be changed without any effect on the screen and in consequence the cursor position can be changed without any effect on the screen. To bring the effect to character display area, the LOAD bit has to be set to 1 for at least one V period (approximately 50ms)

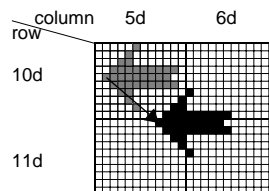
The cursor ist handled as a layer above the character display area. Pixels of the 2-bit cursor bitplane which are set to "00" are transparent to the OSD/Video layer below. So the cursor can be transparent to the OSD (in case of no transparency of OSD) or to video (in case of transparency of OSD).

Example:

DRCS-character
stored at 896d:



pixel-shift:
horizontal: 7d
vertical: 6d



character-row/column:
horizontal: 5d
vertical: 10d

Figure 19 Positioning of HW Cursor

One out of 8 subCLUTs is used to display the cursor. The parameters CURCLUT2...CURCLUT0 are used to define the subCLUT to be used:

For detailed information of CLUT access see 18.4.7

CUR CLUT 2	CUR CLUT 1	CUR CLUT 0	Description
0	0	0	Used to select the subCLUT which is used for color look up of the cursor (0..7)
0	0	1	
0	1	0	
0	1	1	
....			
1	1	0	
1	1	1	

see also 18.4 / Global Display Word (GDW)

18.4.3 Border Color

Next to the character display area in which the characters are displayed there is a area which is surrounding the character display area. The visibility of this border area depends on the width and height of the character display area. The user is free to define the color vector of this border:

BRDCO L5	BRDCO L4	BRDCO L3	BRDCO L2	BRDCO L1	BRDCO L0	Description
0	0	0	0	0	0	Defines a color vector for the border; see also 18.4.7
0	0	0	0	0	1	
0	0	0	0	1	0	
0	0	0	0	1	1	
....						
1	1	1	1	1	0	
1	1	1	1	1	1	

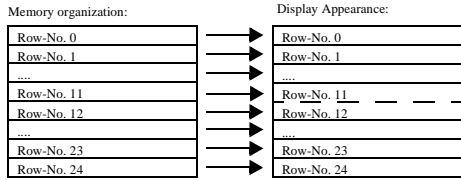
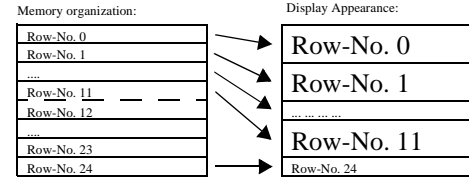
see also 18.4 / Global Display Word (GDW)

18.4.4 Full Screen Double Height

If double height is enabled for the full screen each line of the OSD is repeated twice at the RGB output. As a result, characters which are normally displayed in normal height, are now displayed in double height and characters which are normally displayed in double height are now displayed in quadruple height.

Row 0 and 24 are handled in a special way. If double height is selected for the full screen these two rows can be fixed to normal display (each line of these rows is repeated only once).

In double height mode user may want to start the processing of the display at row 12 and not at row 0. To decide this, three bits are used as a global attribute:

GDDH2	GDDH1	GDDH0	display area
0	0	0	<p>Full Screen Normal Height:</p> 
0	0	1	<p>Full Screen Double Height:</p> <p>Rows 0-11 are displayed in double height. Row 24 is settled on bottom of display in normal height.</p> 

0	1	0	<p>Full Screen Double Height: Rows 12-23 are displayed in double height. Row 24 is settled on bottom of display in normal height.</p> <div style="display: flex; justify-content: space-around;"> <div style="border: 1px solid black; padding: 2px;"> <p>Memory organization:</p> <table border="1" style="font-size: small;"> <tr><td>Row-No. 0</td></tr> <tr><td>Row-No. 1</td></tr> <tr><td>...</td></tr> <tr><td>Row-No. 11</td></tr> <tr><td>Row-No. 12</td></tr> <tr><td>...</td></tr> <tr><td>Row-No. 23</td></tr> <tr><td>Row-No. 24</td></tr> </table> </div> <div style="border: 1px solid black; padding: 2px;"> <p>Display Appearance:</p> <table border="1" style="font-size: small;"> <tr><td>Row-No. 12</td></tr> <tr><td>Row-No. 13</td></tr> <tr><td>.....</td></tr> <tr><td>Row-No. 23</td></tr> <tr><td>Row-No. 24</td></tr> </table> </div> </div>	Row-No. 0	Row-No. 1	...	Row-No. 11	Row-No. 12	...	Row-No. 23	Row-No. 24	Row-No. 12	Row-No. 13	Row-No. 23	Row-No. 24
Row-No. 0																
Row-No. 1																
...																
Row-No. 11																
Row-No. 12																
...																
Row-No. 23																
Row-No. 24																
Row-No. 12																
Row-No. 13																
.....																
Row-No. 23																
Row-No. 24																
0	1	1	<p>Full Screen Double Height: Rows 12-23 are displayed in double height. Row 0 is settled on top of display in normal height.</p> <div style="display: flex; justify-content: space-around;"> <div style="border: 1px solid black; padding: 2px;"> <p>Memory organization:</p> <table border="1" style="font-size: small;"> <tr><td>Row-No. 0</td></tr> <tr><td>Row-No. 1</td></tr> <tr><td>...</td></tr> <tr><td>Row-No. 11</td></tr> <tr><td>Row-No. 12</td></tr> <tr><td>...</td></tr> <tr><td>Row-No. 23</td></tr> <tr><td>Row-No. 24</td></tr> </table> </div> <div style="border: 1px solid black; padding: 2px;"> <p>Display Appearance:</p> <table border="1" style="font-size: small;"> <tr><td>Row-No. 0</td></tr> <tr><td>Row-No. 13</td></tr> <tr><td>Row-No. 14</td></tr> <tr><td>.....</td></tr> <tr><td>Row-No. 24</td></tr> </table> </div> </div>	Row-No. 0	Row-No. 1	...	Row-No. 11	Row-No. 12	...	Row-No. 23	Row-No. 24	Row-No. 0	Row-No. 13	Row-No. 14	Row-No. 24
Row-No. 0																
Row-No. 1																
...																
Row-No. 11																
Row-No. 12																
...																
Row-No. 23																
Row-No. 24																
Row-No. 0																
Row-No. 13																
Row-No. 14																
.....																
Row-No. 24																
1	X	X	<p>Full Screen Double Height: Rows 12-23 are displayed in double height. Row 0 is settled on top of display in normal height.</p> <div style="display: flex; justify-content: space-around;"> <div style="border: 1px solid black; padding: 2px;"> <p>Memory organization:</p> <table border="1" style="font-size: small;"> <tr><td>Row-No. 0</td></tr> <tr><td>Row-No. 1</td></tr> <tr><td>...</td></tr> <tr><td>Row-No. 11</td></tr> <tr><td>Row-No. 12</td></tr> <tr><td>...</td></tr> <tr><td>Row-No. 23</td></tr> <tr><td>Row-No. 24</td></tr> </table> </div> <div style="border: 1px solid black; padding: 2px;"> <p>Display Appearance:</p> <table border="1" style="font-size: small;"> <tr><td>Row-No. 0</td></tr> <tr><td>Row-No. 1</td></tr> <tr><td>Row-No. 2</td></tr> <tr><td>.....</td></tr> <tr><td>Row-No. 12</td></tr> </table> </div> </div>	Row-No. 0	Row-No. 1	...	Row-No. 11	Row-No. 12	...	Row-No. 23	Row-No. 24	Row-No. 0	Row-No. 1	Row-No. 2	Row-No. 12
Row-No. 0																
Row-No. 1																
...																
Row-No. 11																
Row-No. 12																
...																
Row-No. 23																
Row-No. 24																
Row-No. 0																
Row-No. 1																
Row-No. 2																
.....																
Row-No. 12																

see also 1.4 / Global Display Word (GDW)

18.4.5 Flash Rate Control

This attribute is used to control the flash rate for the full screen. All the characters on the screen for which flash is enabled are flashing with same frequency and in same phase.

FLRATE1	FLRATE0	Description
0	0	Slow flash rate The flash rate is derived from display V pulse For 50Hz systems Flash rate is approximately 0.5 Hz Duty cycle is approximately 50%
0	1	Medium flash rate The flash rate is derived from the V pulse For 50Hz systems Flash rate is approximately 1.0 Hz Duty cycle is approximately 50%
1	X	Fast flash rate The flash rate is derived from the V pulse For 50Hz systems Flash rate is approximately 2.0 Hz Duty cycle is approximately 50%

see also 18.4 / Global Display Word (GDW)

18.4.6 Transparency of Boxes

For characters which are using subCLUT0 the transparency which is defined for the whole CLUT (see also 18.4.7) can be overruled for foreground or background pixels. There are two different definitions for two box areas to define this overruling. Which of these two box transparencies is used, is selected character individual inside the bit BOX in CDW (character display word; see also 18.3).

Transparency definition for characters for BOX0:

The cursor (see also 18.4.2) is not affected by these bits.

GLBT2_BOX0	GLBT1_BOX0	GLBT0_BOX0	Description
X	0	0	Box transparency is disabled for BOX0 For all pixels the global defined transparency of subCLUT0 is used.
0	0	1	Box transparency is enabled for BOX0 for following pixels: Foreground pixels of ROM characters
0	1	0	Box transparency is enabled for BOX0 for following pixels: Foreground pixels of 1-bit DRCS characters
0	1	1	Box transparency is enabled for BOX0 for following pixels: Foreground pixels of ROM characters Foreground pixels of 1-bit DRCS characters
1	0	1	Box transparency is enabled for BOX0 for following pixels: Background pixels of ROM characters
1	1	0	Box transparency is enabled for BOX0 for following pixels: Background pixels of 1-bit DRCS characters
1	1	1	Box transparency is enabled for BOX0 for following pixels: Background pixels of ROM characters Background pixels of 1-bit DRCS characters

see also 18.4 / Global Display Word (GDW)

To decide the levels of COR and BLANK for BOX0 two global parameters are used:

COR_BOX0	BLA_BOX0	Description
0	0	Box transparency levels of COR and BLANK are overruled by: COR = 0; BLANK = 0
0	1	Box transparency levels of COR and BLANK are overruled by: COR = 0; BLANK = 1
1	0	Box transparency levels of COR and BLANK are overruled by: COR = 1; BLANK = 0
1	1	Box transparency levels of COR and BLANK are overruled by: COR = 1; BLANK = 1
see also 18.4 / Global Display Word (GDW)		

For characters which are using subCLUT0 there are two types of transparencys which can be defined. Which of these two box transparencys is used is defined character individual inside the bit BOX in CDW (character display word; see also 18.3).

Transparency definition for characters for which BOX is set to 1 and which are using subCLUT0:

GLBT2_BOX1	GLBT1_BOX1	GLBT0_BOX1	Description
X	0	0	Box transparency is disabled for BOX1
0	0	1	Box transparency is enabled for BOX1 for following pixels: Foreground pixels of ROM characters
0	1	0	Box transparency is enabled for BOX1 for following pixels: Foreground pixels of 1-bit DRCS characters
0	1	1	Box transparency is enabled for BOX1 for following pixels: Foreground pixels of ROM characters Foreground pixels of 1-bit DRCS characters

Preliminary & Confidential

Display

1	0	1	Box transparency is enabled for BOX1 for following pixels: Background pixels of ROM characters
1	1	0	Box transparency is enabled for BOX1 for following pixels: Background pixels of 1-bit DRCS characters
1	1	1	Box transparency is enabled for BOX1 for following pixels: Background pixels of ROM characters Background pixels of 1-bit DRCS characters
see also 18.4 / Global Display Word (GDW)			

To decide the levels of COR and BLANK for BOX1 two global parameters are used:

COR_BOX1	BLA_BOX1	Description
0	0	Box transparency levels of COR and BLANK for BOX1 are overruled by: COR = 0; BLANK = 0
0	1	Box transparency levels of COR and BLANK coming from CLUT0 inside BOX1 are overruled by: COR = 0; BLANK = 1
1	0	Box transparency levels of COR and BLANK coming from CLUT0 inside BOX1 are overruled by: COR = 1; BLANK = 0
1	1	Box transparency levels of COR and BLANK coming from CLUT0 inside BOX1 are overruled by: COR = 1; BLANK = 1
see also 18.4 / Global Display Word (GDW)		

18.4.7 CLUT

The CLUT has a maximum width of 64 entries. The RGB values of the CLUT entries from 0-15 are hardwired and can not be changed by software. The transparency for the hardwired CLUT values are set by a global attribute inside the global display word (GDW; see also 18.4). This global setting can be overruled inside of boxes (see also 18.4.6):

HDWCLUTCOR	HDWCLUTBLANK	Description
0	0	Decides the polarity for COR and BLANK output for the hardwired CLUT entries 0-15 and the polarity of COR and BLANK during black clamp phase (see also 17.1): COR = 0 BLANK = 0
0	1	Decides the polarity for COR and BLANK output for the hardwired CLUT entries 0-15 and the polarity of COR and BLANK during black clamp phase (see also 17.1): COR = 0 BLANK = 1
1	0	Decides the polarity for COR and BLANK output for the hardwired CLUT entries 0-15 and the polarity of COR and BLANK during black clamp phase (see also 17.1): COR = 1 BLANK = 0
1	1	Decides the polarity for COR and BLANK output for the hardwired CLUT entries 0-15 and the polarity of COR and BLANK during black clamp phase (see also 17.1): COR = 1 BLANK = 1

The RGB values of the CLUT entries from 16 to 63 are free programmable. The RGB values of the CLUT are organized in the TVTpro XRAM in a incremental serial order. CLUT locations inside XRAM which are not used for OSD can be used for any other storage purposes.

The CLUT is divided in 8 subCLUTs with 8 entries for 1-bit DRCS and ROM characters. For 2-bit DRCS characters the CLUT is divided in 8 subCLUTs with 4 entries. For 4-bit DRCS characters the CLUT is divided in 4 subCLUTs with 16 different entries.

The subCLUTs can be selected for each character position individual. For this three bits CLUT2, CLUT1 and CLUT0 are reserved inside the character display word (CDW; see also 18.3):

CLUT2	CLUT1	CLUT0	Meaning for ROM character and 1-bit/2-bit DRCS characters	Meaning for 4-bit DRCS characters
0	0	0	subCLUT0 is selected	subCLUT0 is selected
0	0	1	subCLUT1 is selected	subCLUT1 is selected
0	1	0	subCLUT2 is selected	subCLUT2 is selected
0	1	1	subCLUT3 is selected	subCLUT3 is selected
1	0	0	subCLUT4 is selected	subCLUT0 is selected
1	0	1	subCLUT5 is selected	subCLUT1 is selected
1	1	0	subCLUT6 is selected	subCLUT2 is selected
1	1	1	subCLUT7 is selected	subCLUT3 is selected

see also 18.3 / Character Display Word (CDW)

CLUT entries from 0-15 are hardwired and can not be changed by the user.

Each of the 48 RAM programmable CLUT locations have a width of 2 byte. These 2 bytes are used to define a 3 x 4-bit RGB value plus the behaviour of the BLANK and COR output pins. The following format is used:

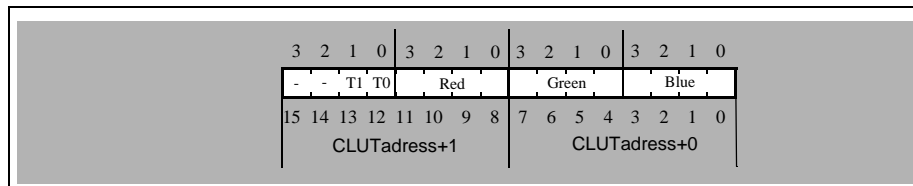


Figure 20 RGB/Transparency Memory Format of CLUT

Bit 3..0: 4-bit representation of Blue value



Preliminary & Confidential

Display

- Bit 7..4: 4-bit representation of Green value
- Bit 11..8: 4-bit representation of Red value
- Bit 12 Directly fed to BLANK pin
- Bit 13 Directly fed to COR pin
- Bit 14 reserved
- Bit 15 reserved

18.4.7.1 Organization of CLUT

RAM address	CLUT entry	CLUT No for ROM, and 1-bit DRCS character		CLUT No for Cursor		CLUT No for 2-bit DRCS character		CLUT No for 4-bit DRCS character		hardwired CLUT
		No.	entry	No.	entry	No.	entry	No.	entry	
0		0		0		0		0		R G B = 00 _d 00 _d 00 _d
not available	1	1	not available	1	not available	1	not available	1		R G B = 15 _d 00 _d 00 _d
not available	2	2		2		2		2		R G B = 00 _d 15 _d 00 _d
not available	3	3		3		3		3		R G B = 15 _d 15 _d 00 _d
not available	4	4	not available	0	not available	0	not available	0		R G B = 00 _d 00 _d 15 _d
not available	5	5		1		1		1		R G B = 15 _d 00 _d 15 _d
not available	6	6	not available	2	not available	2	not available	2		R G B = 00 _d 15 _d 15 _d
not available	7	7		3		3		3		R G B = 15 _d 15 _d 15 _d
not available	8	0		0		0		0	0	R G B = 00 _d 00 _d 00 _d
not available	9	1	not available	1	not available	1	not available	1		R G B = 07 _d 00 _d 00 _d
not available	10	2		2		2		2		R G B = 00 _d 07 _d 00 _d
not available	11	3		3		3		3		R G B = 07 _d 07 _d 00 _d
not available	12	4	not available	0	not available	0	not available	0		R G B = 00 _d 00 _d 07 _d
not available	13	5	not available	1	not available	1	not available	1		R G B = 07 _d 00 _d 07 _d
not available	14	6		2		2		2		R G B = 00 _d 07 _d 07 _d
not available	15	7	not available	3	not available	3	not available	3		R G B = 07 _d 07 _d 07 _d
CLUTPOINTh+00h	16	0		0		0		0		software programmable
CLUTPOINTh+02h	17	1		1		1		1		software programmable
CLUTPOINTh+04h	18	2	0	2	0	2	0	2		software programmable
CLUTPOINTh+06h	19	3		3		3		3		software programmable
CLUTPOINTh+08h	20	4		0		0		0		software programmable
CLUTPOINTh+0Ah	21	5	1	1	1	1	1	1		software programmable
CLUTPOINTh+0Ch	22	6	1	2	1	2	1	2		software programmable
CLUTPOINTh+0Eh	23	7		3		3		3		software programmable
CLUTPOINTh+10h	24	0		0		0		0	1	software programmable
CLUTPOINTh+12h	25	1	2	1	2	1	2	1		software programmable
CLUTPOINTh+14h	26	2		2		2		2		software programmable
CLUTPOINTh+16h	27	3		3		3		3		software programmable
CLUTPOINTh+18h	28	4		0		0		0		software programmable
CLUTPOINTh+1Ah	29	5	3	1	3	1	3	1		software programmable
CLUTPOINTh+1Ch	30	6		2		2		2		software programmable
CLUTPOINTh+1Eh	31	7		3		3		3		software programmable
CLUTPOINTh+20h	32	0		0		0		0	2	software programmable
CLUTPOINTh+22h	33	1		1		1		1		software programmable
CLUTPOINTh+24h	34	2	4	2	4	2	4	2		software programmable
CLUTPOINTh+26h	35	3		3		3		3		software programmable
CLUTPOINTh+28h	36	4		0		0		0		software programmable
CLUTPOINTh+2Ah	37	5	5	1	5	1	5	1		software programmable
CLUTPOINTh+2Ch	38	6		2		2		2		software programmable
CLUTPOINTh+2Eh	39	7		3		3		3		software programmable
CLUTPOINTh+30h	40	0		0		0		0		software programmable
CLUTPOINTh+32h	41	1		1		1		1		software programmable
CLUTPOINTh+34h	42	2	6	2	6	2	6	2		software programmable
CLUTPOINTh+36h	43	3		3		3		3		software programmable
CLUTPOINTh+38h	44	4		0		0		0		software programmable
CLUTPOINTh+3Ah	45	5	7	1	7	1	7	1		software programmable
CLUTPOINTh+3Ch	46	6		2		2		2		software programmable
CLUTPOINTh+3Eh	47	7		3		3		3		software programmable

RAM address	CLUT entry	CLUT No for ROM, and 1-bit DRCS character		CLUT No for Cursor		CLUT No for 2-bit DRCS character		CLUT No for 4-bit DRCS character		hardwired CLUT
		No.	entry	No.	entry	No.	entry	No.	entry	
CLUTPOINTh+40h	48	6	0	not available	0	not available	0	3	0	software programmable
CLUTPOINTh+42h	49		1		1		1		1	software programmable
CLUTPOINTh+44h	50		2		2		2		2	software programmable
CLUTPOINTh+46h	51		3	3	3	3	software programmable			
CLUTPOINTh+48h	52		4	0	0	0	software programmable			
CLUTPOINTh+4Ah	53		5	not available	1	not available	1		5	software programmable
CLUTPOINTh+4Ch	54		6		2		2		6	software programmable
CLUTPOINTh+4Eh	55	7	3	3	3	7	software programmable			
CLUTPOINTh+50h	56	7	0	not available	0	not available	0	8	software programmable	
CLUTPOINTh+52h	57		1		1		1	9	software programmable	
CLUTPOINTh+54h	58		2		2		2	10	software programmable	
CLUTPOINTh+56h	59		3	3	3	11	software programmable			
CLUTPOINTh+58h	60		4	0	0	12	software programmable			
CLUTPOINTh+5Ah	61		5	not available	1	not available	1	13	software programmable	
CLUTPOINTh+5Ch	62		6		2		2	14	software programmable	
CLUTPOINTh+5Eh	63	7	3	3	3	15	software programmable			

18.4.7.2 CLUT Access for ROM characters/1-bit DRCS characters

For each pixel of a character a 1-bit background/foreground information is available. 1 out of 8 subCLUTs can be selected by character display word (CDW; see also 18.3). 1 out of 8 color vectors can be selected as a foreground and background color vector by the character display word (CDW; see also 18.3). Please notice the table in chapter 18.4.7.1.

18.4.7.3 CLUT Access for 2-bit DRCS Characters

2-bit DRCS characters are stored in the RAM. Within a 2-bit DRCS character a 2-bit color vector information is available for each pixel. By this 2-bit information 1 out of 4 color vectors is selected from a subCLUT.

1 out of 8 subCLUTs is selected by character display word (CDW; see also 1.3). Please notice the table in chapter 18.4.7.1.

18.4.7.4 CLUT Access for 4-bit DRCS Characters

4-bit DRCS characters are stored in the RAM. Within a 4-bit DRCS character a 4-bit color vector information is available for each pixel. By this 1 out of 16 color vectors is selected from a subCLUT.

1 out of 4 subCLUTs are selected by character display word (CDW; see also 1.3). Please notice the table in chapter 18.4.7.1.

18.4.8 Character Resolution

The character matrix of DRCS characters can be adjusted in vertical direction from 9 lines up to 16 lines. In horizontal direction the character matrix is fixed to 12 pixels:

CHADRC2	CHADRC1	CHADRC0	Description
0	0	0	9 lines
0	0	1	10 lines
0	1	0	11 lines
0	1	1	12 lines
1	0	0	13 lines
1	0	1	14 lines
1	1	0	15 lines
1	1	1	16 lines

see also 18.4 / Global Display Word (GDW)

The character matrix of the ROM characters can also be adjusted in vertical direction from 9 lines up to 16 lines. In horizontal direction the ROM character matrix is fixed to 12 pixels:

CHAROM2	CHAROM1	CHAROM0	Description
0	0	0	9 lines
0	0	1	10 lines
0	1	0	11 lines
0	1	1	12 lines
1	0	0	13 lines
1	0	1	14 lines
1	1	0	15 lines
1	1	1	16 lines

see also 18.4 / Global Display Word (GDW)

The parameter CHAROM is used to characterize the organization of ROM characters. The parameter CHADRC is used to characterize the organization of DRCS characters and the vertical count of lines for a character row on output side. If the count of lines of ROM characters is smaller than the count of DRCS



characters the lines of ROM characters are filled up with background colored pixels.

18.4.9 Shadowing

If shadowing is enabled the ROM characters and 1-bit DRCS characters of the characters are displayed by west shadow or east shadow. The color vector of the shadow is defined by software. The shadow color vector has a width of 6 bit.

The shadow feature is enabled by the bit SHEN:

SHEN	Description
0	shadow disabled
1	shadow for ROM characters and 1-bit DRCS characters

see also 1.4 / Global Display Word (GDW)

There are two options for shadowing:

SHEAWE	Description
0	east shadowing
1	west shadowing

see also 1.4 / Global Display Word (GDW)

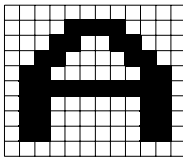
CLUT entries from 0-63 can be used as a shadow color vector:

SHCOL5	SHCOL4	SHCOL3	SHCOL2	SHCOL1	SHCOL0	Description
0	0	0	0	0	0	Defines a color vector for shadowing see also 18.4.7
0	0	0	0	0	1	
....						
1	1	1	1	1	0	
1	1	1	1	1	1	

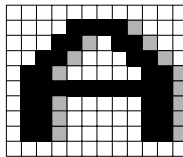
see also 1.4 / Global Display Word (GDW)

Example for a "A" displayed in shadow mode:

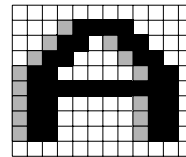
no shadow:



east shadow:



west shadow:



- shadowed pixel
- background pixel
- foreground pixel

Figure 21 Processing of Shadowing

Within one character matrix shadowing is only processed for the pixels which are belonging to that character matrix. Pixels of one character matrix can not generate a shadow inside a neighboured character matrix.

18.4.10 Progressive Scan

This feature is useful for TV-devices in which a frame consists of 1 field with 625 lines instead of 2 fields with 312.5 lines each.

For this TV-fields on RGB-output lines are be repeated twice by enabling the progressive scan feature. This repetition of lines in vertical direction is only processed for lines inside the character display area.

PROGRESS	Description
0	progressive scan support is disabled
1	progressive scan support is enabled

see also 1.4 / Global Display Word (GDW)

18.5 DRCS characters

DRCS characters are available in the XRAM. There are three different DRCS color resolution formats available:

- 1-bit per pixel DRCS characters
- 2-bit per pixel DRCS characters
- 4-bit per pixel DRCS characters

In which way this 1-bit, 2-bit or 4-bit color vector information is used to access the CLUT, see 18.4.7.

18.5.1 Memory Organization of DRCS characters

The following examples are proceeded on the assumption that a height of 11 character lines is selected. The memory organization behaves the same for any other count of lines.

	PIXEL0	PIXEL1	PIXEL2	PIXEL3	PIXEL4	PIXEL5	PIXEL6	PIXEL7	PIXEL8	PIXEL9	PIXEL10	PIXEL11
LINE0												
LINE1												
LINE2												
LINE3												
LINE4												
LINE5												
LINE6												
LINE7												
LINE8												
LINE9												

Figure 22 Allocation of pixels inside the character matrix

Each character starts at a new byte address. This causes, that for odd heights nibbles may be left free.

1-bit DRCS characters:

address	Bit7	Bit6	Bit5	Bit4	Bit3	Bit2	Bit1	Bit0
DRC1POINTh +00h	CHAR 1	CHAR 1	CHAR 1	CHAR 1	CHAR 1	CHAR 1	CHAR 1	CHAR 1
	LINE 0	LINE 0	LINE 0	LINE 0	LINE 0	LINE 0	LINE 0	LINE 0
	PIXEL 0	PIXEL 1	PIXEL 2	PIXEL 3	PIXEL 4	PIXEL 5	PIXEL 6	PIXEL 7
	BIT 0	BIT 0	BIT 0	BIT 0	BIT 0	BIT 0	BIT 0	BIT 0
DRC1POINTh +01h	CHAR 1	CHAR 1	CHAR 1	CHAR 1	CHAR 1	CHAR 1	CHAR 1	CHAR 1
	LINE 0	LINE 0	LINE 0	LINE 0	LINE 1	LINE 1	LINE 1	LINE 1
	PIXEL 8	PIXEL 9	PIXEL 10	PIXEL 11	PIXEL 0	PIXEL 1	PIXEL 2	PIXEL 3
	BIT 0	BIT 0	BIT 0	BIT 0	BIT 0	BIT 0	BIT 0	BIT 0
DRC1POINTh +02h	CHAR 1	CHAR 1	CHAR 1	CHAR 1	CHAR 1	CHAR 1	CHAR 1	CHAR 1
	LINE 1	LINE 1	LINE 1	LINE 1	LINE 1	LINE 1	LINE 1	LINE 1
	PIXEL 4	PIXEL 5	PIXEL 6	PIXEL 7	PIXEL 8	PIXEL 9	PIXEL 10	PIXEL 11
	BIT 0	BIT 0	BIT 0	BIT 0	BIT 0	BIT 0	BIT 0	BIT 0
....							
DRC1POINTh +10h	CHAR 1	CHAR 1	CHAR 1	CHAR 1	left free			
	LINE 10	LINE 10	LINE 10	LINE 10				
	PIXEL 8	PIXEL 9	PIXEL 10	PIXEL 11				
	BIT 0	BIT 0	BIT 0	BIT 0				
DRC1POINTh +11h	CHAR 2	CHAR 2	CHAR 2	CHAR 2	CHAR 2	CHAR 2	CHAR 2	CHAR 2
	LINE 0	LINE 0	LINE 0	LINE 0	LINE 0	LINE 0	LINE 0	LINE 0
	PIXEL 0	PIXEL 1	PIXEL 2	PIXEL 3	PIXEL 4	PIXEL 5	PIXEL 6	PIXEL 7
	BIT 0	BIT 0	BIT 0	BIT 0	BIT 0	BIT 0	BIT 0	BIT 0

2-bit DRCS characters:

address	Bit7	Bit6	Bit5	Bit4	Bit3	Bit2	Bit1	Bit0
DRC2POINTh +00h	CHAR 1	CHAR 1	CHAR 1	CHAR 1	CHAR 1	CHAR 1	CHAR 1	CHAR 1
	LINE 0	LINE 0	LINE 0	LINE 0	LINE 0	LINE 0	LINE 0	LINE 0
	PIXEL 0	PIXEL 0	PIXEL 1	PIXEL 1	PIXEL 2	PIXEL 2	PIXEL 3	PIXEL 3
	BIT 0	BIT 1	BIT 0	BIT 1	BIT 0	BIT 1	BIT 0	BIT 1
DRC2POINTh +01h	CHAR 1	CHAR 1	CHAR 1	CHAR 1	CHAR 1	CHAR 1	CHAR 1	CHAR 1
	LINE 0	LINE 0	LINE 0	LINE 0	LINE 0	LINE 0	LINE 0	LINE 0
	PIXEL 4	PIXEL 4	PIXEL 5	PIXEL 5	PIXEL 6	PIXEL 6	PIXEL 7	PIXEL 7
	BIT 0	BIT 1	BIT 0	BIT 1	BIT 0	BIT 1	BIT 0	BIT 1

address	Bit7	Bit6	Bit5	Bit4	Bit3	Bit2	Bit1	Bit0
DRC2POINTh +02h	CHAR 1	CHAR 1	CHAR 1	CHAR 1	CHAR 1	CHAR 1	CHAR 1	CHAR 1
	LINE 0	LINE 0	LINE 0	LINE 0	LINE 0	LINE 0	LINE 0	LINE 0
	PIXEL 8	PIXEL 8	PIXEL 9	PIXEL 9	PIXEL 10	PIXEL 10	PIXEL 11	PIXEL 11
	BIT 0	BIT 1	BIT 0	BIT 1	BIT 0	BIT 1	BIT 0	BIT 1
....							
DRC2POINTh +20h	CHAR 1	CHAR 1	CHAR 1	CHAR 1	CHAR 1	CHAR 1	CHAR 1	CHAR 1
	LINE 10	LINE 10	LINE 10	LINE 10	LINE 10	LINE 10	LINE 10	LINE 10
	PIXEL 8	PIXEL 8	PIXEL 9	PIXEL 9	PIXEL 10	PIXEL 10	PIXEL 11	PIXEL 11
	BIT 0	BIT 1	BIT 0	BIT 1	BIT 0	BIT 1	BIT 0	BIT 1
DRC2POINTh +11h	CHAR 2	CHAR 2	CHAR 2	CHAR 2	CHAR 2	CHAR 2	CHAR 2	CHAR 2
	LINE 0	LINE 0	LINE 0	LINE 0	LINE 0	LINE 0	LINE 0	LINE 0
	PIXEL 0	PIXEL 0	PIXEL 1	PIXEL 1	PIXEL 2	PIXEL 2	PIXEL 3	PIXEL 3
	BIT 0	BIT 1	BIT 0	BIT 1	BIT 0	BIT 1	BIT 0	BIT 1

4-bit DRCS characters:

address	Bit7	Bit6	Bit5	Bit4	Bit3	Bit2	Bit1	Bit0
DRC4POINTh +00h	CHAR 1	CHAR 1	CHAR 1	CHAR 1	CHAR 1	CHAR 1	CHAR 1	CHAR 1
	LINE 0	LINE 0	LINE 0	LINE 0	LINE 0	LINE 0	LINE 0	LINE 0
	PIXEL 0	PIXEL 0	PIXEL 0	PIXEL 0	PIXEL 1	PIXEL 1	PIXEL 1	PIXEL 1
	BIT 0	BIT 1	BIT 2	BIT 3	BIT 0	BIT 1	BIT 2	BIT 3
DRC4POINTh +01h	CHAR 1	CHAR 1	CHAR 1	CHAR 1	CHAR 1	CHAR 1	CHAR 1	CHAR 1
	LINE 0	LINE 0	LINE 0	LINE 0	LINE 1	LINE 1	LINE 1	LINE 1
	PIXEL 2	PIXEL 2	PIXEL 2	PIXEL 2	PIXEL 3	PIXEL 3	PIXEL 3	PIXEL 3
	BIT 0	BIT 1	BIT 2	BIT 3	BIT 0	BIT 1	BIT 2	BIT 3
DRC4POINTh +02h	CHAR 1	CHAR 1	CHAR 1	CHAR 1	CHAR 1	CHAR 1	CHAR 1	CHAR 1
	LINE 1	LINE 1	LINE 1	LINE 1	LINE 1	LINE 1	LINE 1	LINE 1
	PIXEL 4	PIXEL 4	PIXEL 4	PIXEL 4	PIXEL 5	PIXEL 5	PIXEL 5	PIXEL 5
	BIT 0	BIT 1	BIT 2	BIT 3	BIT 0	BIT 1	BIT 2	BIT 3
....							
DRC4POINTh +41h	CHAR 1	CHAR 1	CHAR 1	CHAR 1	CHAR 1	CHAR 1	CHAR 1	CHAR 1
	LINE 10	LINE 10	LINE 10	LINE 10	LINE 10	LINE 10	LINE 10	LINE 10
	PIXEL 10	PIXEL 10	PIXEL 10	PIXEL 10	PIXEL 11	PIXEL 11	PIXEL 11	PIXEL 11
	BIT 0	BIT 1	BIT 2	BIT 3	BIT 0	BIT 1	BIT 2	BIT 3
DRC4POINTh +42h	CHAR 2	CHAR 2	CHAR 2	CHAR 2	CHAR 2	CHAR 2	CHAR 2	CHAR 2
	LINE 0	LINE 0	LINE 0	LINE 0	LINE 0	LINE 0	LINE 0	LINE 0
	PIXEL 0	PIXEL 0	PIXEL 0	PIXEL 0	PIXEL 1	PIXEL 1	PIXEL 1	PIXEL 1
	BIT 0	BIT 1	BIT 2	BIT 3	BIT 0	BIT 1	BIT 2	BIT 3

18.6 Memory Organization

The memory organization concept of the OSD is based on a flexible pointer concept. All display memory registers reside in the internal XRAM only.

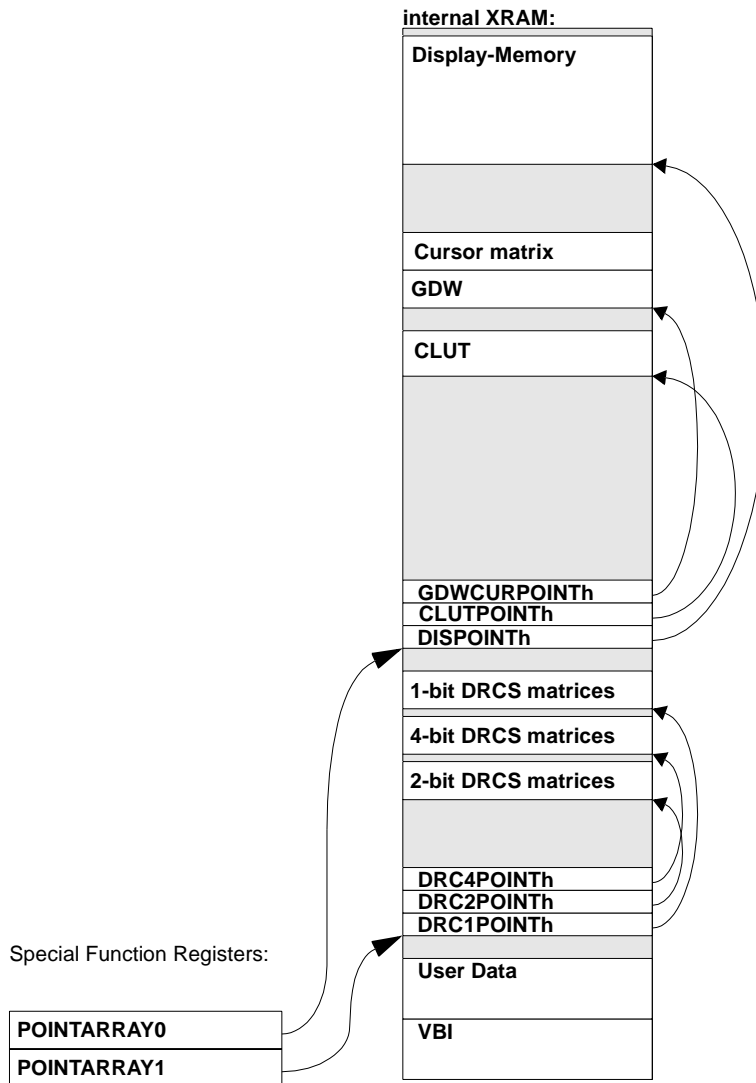


Figure 23 Memory Organization of On Screen Display

There are 4 bytes of SFR registers which are pointing to two pointer arrays inside the XRAM:

SFR address	name	function
XXh	POINTARRAY0	Pointer to pointer array 0
XXh+02h	POINTARRAY1	Pointer to pointer array 1

These 2 SFR pointers are used to point to 2 x 3 other pointers . These 6 pointers are pointing to the start address of the following memory areas:

- Start address of character display area memory
- Start address of CLUT
- Start address of 1-bit DRCS characters matrixes
- Start address of 2-bit DRCS characters matrixes
- Start address of 4-bit DRCS characters matrixes
- Start address of global display word / cursor matrix

User has to take care for a pointer definition so that memory areas do not overlapp each other on the one hand and that the definition is optimized in a way, so that no memory is wasted on the other hand. The length of the global display word is fixed to 10 byte and the length of the CLUT is fixed to 2 x 48 byte. The length of all the other areas depend on the OSD requirements (see also 18.6.1 to 18.6.4).

Each of the six pointers to the memory areas is stored in an array of pointers. Each pointer in this array has got a width of 16 bits and uses 2 bytes inside the RAM:

Pointer Array	Startaddress in array	name	function
POINTFIELD 0	0h (LByte) 1h (HByte)	DISPOINTh	Pointer to display memory
	2h (LByte) 3h (HByte)	CLUTPOINT	Pointer to CLUT
	4h (LByte) 5h (HByte)	GDWCURPOINTh	Pointer to GDW and cursor matrix

Pointer Array	Startaddress in array	name	function
POINTFIELD 1	0h (LByte) 1h (HByte)	DRC1POINTh	Pointer 1-bit DRCS matrices
	2h (LByte) 3h (HByte)	DRC2POINTh	Pointer 2-bit DRCS matrices
	4h (LByte) 5h (HByte)	DRC4POINTh	Pointer 4-bit DRCS matrices

18.6.1 Character Display Area

The character display area consists of 3 bytes for each character position of the character display area. These three bytes are used to store the character display word as it is described in chapter 18.3.

The array is sorted in a incremental serial order coming from the top left character throughout the bottom right character of the character display area. For further information see chapter 18.2.

The length of this display memory area depends on the parameter settings of DISALH0..DISALH4.

18.6.2 CLUT Area

The CLUT area consist of 48 x 2 Byte CLUT contents. The CLUT contents are stored in a serial incremental order.

For further information see chapter 18.4.7.

The length of the CLUT is fixed to 96 bytes.

18.6.3 Global Display Word/Cursor

The area of the global display word is fixed to 10 byte. All the global display relevant informations are stored inside global display word (GDW; see also 18.4). See also 18.2. The cursor matrix for cursor display is stored after the global display word.

The length of the memory area of global display word is fixed to 10 byte. The length of the memory area of cursor matrix depends on the settings of CHADRC2..CHADRC0.

18.6.4 1-bit/2-bit/4-bit DRCS character

In this area the pixel information of the dynamic reconfigurable characters is stored. For further information on the memory format refer to 18.5.

The length of these areas depends on the settings of DRCSB1_3..DRCSB1_0 and the settings of DRCSB2_3..DRCSB2_0.

18.6.5 Overview on the SFR registers

Next to the settings in the XRAM, SFR registers are used for OSD control:

SFR address	name	bit programmable	width	purpose
F8h	EN_LD_GDW	yes	1 bit	Used to avoid the download of the parameter settings of the GDW from the RAM to the local display generator register bank. See also 18.4.2: 0: Download disabled 1: Download enabled Initial value: 0
F8h	EN_DG_OUT	yes	1 bit	Used to disable/enable the output of the display generator. If display generator is disabled the RGB outputs of the IC are set to black and the outputs BLANK and COR are set to. COR = ENABLECOR BLANK = ENABLEBLA If display generator is enabled the display information RGB, COR and BLANK is generated according to the parameter settings in the XRAM. 0: Display generator is disabled 1: Display generator is enabled Initial value: 0
F8h	DIS_COR	no	1 bit	Defines the level of the COR output if display generator is disabled. Initial value: 0
F8h	DIS_BLA	no	1 bit	Defines the level of the BLANK output if display generator is disabled. Initial value: 1
F3h	POINTARRAY 1_1	no	6 bit	Defines a pointer to a pointer array. See also 18.6 Initial value: 0
F4h	POINTARRAY 1_0	no	8 bit	Defines a pointer to a pointer array. See also 18.6 Initial value: 0
F5h	POINTARRAY 0_1	no	6 bit	Defines a pointer to a pointer array. See also 18.6 Initial value: 0
F6h	POINTARRAY 0_0	no	8 bit	Defines a pointer to a pointer array. See also 18.6 Initial value: 0

19 D/A Converter

TVTpro uses a 3 x 2-bit voltage D/A converter to generate analog RGB output signals with a nominal amplitude of 0.7V (also available: 0.5V, 1.0V and 1.2V) peak to peak.

19.1 Register Description

Default after reset: A0_n **SCR1** SFR-Address E1_H
 (MSB) (LSB)

reserved	RGB_G1	RGB_G0	CORBL	VSU_3	VSU_2	VSU_1	VSU_0
----------	--------	--------	-------	-------	-------	-------	-------

reserved: **reserved**
Should always be set to 1

RGB_G(1..0): **Gain Adjustment of RGB Converter.**
 The user can change the output gain of the DAC.
 00: 0.5V
 01: 0.7V (default)
 10: 1.0V
 11: 1.2V

VSU_3..0: refer to Sync System

Default after reset: 00_n **PSAVE bit addressable** SFR-Address D8_H
 (MSB) (LSB)

--	--	--	CADC	WAKUP	SLI_ACQ	DISP	PERI
----	----	----	------	-------	---------	------	------

-- Not used

CADC refer to power saving modes

WAKUP refer to power saving modes

SLI_ACQ	refer to power saving modes
DISP	Display unit 0: Power save Mode not started 1: Power save Mode started In Power save mode display generator, pixel clock unit ,display sync unit , sandcastle decoder and COR_BLA are disabled. All the pending bus request are masked off. DAC is also switched off and it outputs the values defined for DAC off. COR_BLA output their reset value.
PERI	refer to power saving modes

Preliminary & Confidential

D/A Converter

Default after reset: 000xxx00

PCON

SFR-Address 87_H

(MSB)

(LSB)

SMOD	PDS	IDLS	SD	GF1	GF0	PDE	IDLE
------	-----	------	----	-----	-----	-----	------

SMOD refer to UART

PDS **Power Down Start Bit**
 0: Power Down Mode not started
 1: Power Down Mode started
The DAC is switched off during Power Down Mode.

IDLS **Idle Start Bit**
 0: Idle Mode not started
 1: Idle Mode started
The DAC is switched off during Idle Mode.

SD **Slow Down Bit**
 0: Slow down mode is disabled
 1: Slow down mode is enabled
The DAC is switched off during Slow Down Mode.

GF1 refer to Power saving modes

GF0 refer to Power saving modes

PDE refer to Power Save Modes

IDLE refer to Power Save Modes



SDA 55xx

Preliminary & Confidential

D/A Converter

20 Electrical Characteristics

20.1 Absolute Maximum Ratings

The maximum ratings may not be exceeded under any circumstances, not even momentarily and individually, as permanent damage to the IC will result.

Ambient temperature $T_{Amb} = 0\text{ °C}...+70\text{ °C}$

Parameter	Symbol	Limit Values		Unit	Test Condition
		min.	max.		
Supply voltage 3.3V	$VDD33_{1..7}$		4.0	V	
Supply voltage 2.5V	$VDD25_{1..2}$		3.0	V	
Analog supply voltage	$VDDA_{1..4}$		3.0	V	
Storage temperature	T_{sg}	- 20	125	°C	
Electrostatic discharge		2000		V	100 pF, 1.5 kΩ HBM

20.2 Operating Range

Parameter	Symbol	Limit Values		Unit	Test Condition
		min.	max.		
Ambient temperature	T_A	0	70	°C	
Supply voltage 3.3V	$VDD33_{1..7}$	3.0	3.6	V	
Supply voltage 2.5V	$VDD25_{1..2}$	2.25	2.75	V	
Analog supply voltage	$VDDA_{1..4}$	2.25	2.75	V	
Total Power Consumption	P_{total}		1.5	W	

Note: In the operating range, the functions given in the circuit description are fulfilled.

20.3 DC Characteristics

Preliminary & Confidential

Electrical Characteristics

Parameter	Symbol	Limit Values		Unit	Test Condition
		min.	max.		

Supply Currents

Digital supply current for 3.3V domain	$I_{3.3V}$			mA	all ports as inputs, $f_{\text{pixel}} = \text{MHz}$,
Digital supply current for 2.5V domain	$I_{2.5V}$			mA	$f_{\text{pixel}} = \text{MHz}$,
Analog Power Supply Current	I_{ANA}			mA	
Idle mode supply current (with A/D wake up, RTC and External Interrupts)	I_{IDLE}			mA	
Power Down mode supply current.	I_{PD}			uA	
Slow Down mode supply current	I_{SD}			mA	

I/O Voltages (valid for any pin unless otherwise stated)

Input low voltage	V_{IL}	- 0.4	0.8	V	
Input high voltage	V_{IH}	2.0	3.6	V	
Output low voltage	V_{OL}		0.4	V	@ $I_{\text{out}} = 3.2 \text{ mA}$
Output high voltage	V_{OH}	2.4		V	@ $I_{\text{out}} = -1.6 \text{ mA}$
Leakage current	I_{IL}		0.2	uA	@ $0 < V_{\text{in}} < V_{\text{DD}}$

Crystal Oscillator: XIN, XOUT

Amplifier Transconductance			4.2	mS	
Oscillation Frequency	C_{FB}	6.0 - 50 ppm	6.0+ 50 ppm	MHz	
Duty Cycle		45	55	%	
High time	T_{H}	50		ns	
Pin capacitance (XTAL1)	C_1		3.5	pF	

CVBS-Input: CVBS (ADC_DIFF=0; differential CVBS Input)

Preliminary & Confidential

Electrical Characteristics

Parameter	Symbol	Limit Values		Unit	Test Condition
		min.	max.		
Pin capacitance	C_P			pF	
Input impedance	Z_P			1/ MΩ	
Ext. coupling capacitance	$C_{CPL1,2}$	10	100	nF	
Source impedance			<500	Ω	
Overall CVBS amplitude	V_{CVBS}	0.5	2	V	
CVBS sync amplitude	V_{SYNC}	0.1	0.6	V	
TXT data amplitude	V_{DATA}	0.15	0.7	V	
De-coupling Capacitors to V_{DDA} at Pins CVBSi	C_{Dec_CPL}			nF	

CVBS-Input: CVBS (ADC_DIFF=1; non-differential CVBS Input)

Pin capacitance	C_P			pF	
Input impedance	Z_P			1/ MΩ	
Ext. coupling capacitance	C_{CPL1}	10	100	nF	
Source impedance			<500	Ω	
Overall CVBS amplitude	V_{CVBS}	0.5	2	V	
CVBS sync amplitude	V_{SYNC}	0.1	0.6	V	
TXT data amplitude	V_{DATA}	0.15	0.7	V	
De-coupling Capacitors to V_{DDA} at Pins CVBSi	C_{Dec_CPL}			nF	

RGB-Outputs

Load capacitance	C_P		20	pF	
Output voltage swing	V_{outpp}	0.5	1.2	v	available: 0.5V; 0.7V; 1.0V; 1.2V
RGB offset	U_{offset}	0.27	0.33	V	
Rise/Fall Times	T_{RF}		12.5	ns	12.5ns (32MHz output BW)

Preliminary & Confidential

Electrical Characteristics

Parameter	Symbol	Limit Values		Unit	Test Condition
		min.	max.		
Diff. non-linearity		- 0.5	0.5	LSB	
Int. non-linearity		- 0.5	0.5	LSB	
Output current tracking			3	%	
Skew to COR, Blank	T _{skew}	-5	5	ns	
Jitter to Horizontal Sync Reference	T _{Jit}		4	ns	

Address Bits: A0 to A15, ALE, PSEN, RD, WR

Output Rise Time	T _r			ns	(10% - 90%)
Output Fall Time	T _f			ns	(10% - 90%)
Load Capacitance	C _L			pF	

P4.(0..4) Alternate address control lines

Output Rise Time	T _r			ns	(10% - 90%)
Output Fall Time	T _f			ns	(10% - 90%)
Load Capacitance	C _L			pF	

Data Bits: D0 to D7

Output Rise Time	T _r			ns	(10% - 90%)
Output Fall Time	T _f			ns	(10% - 90%)
Load Capacitance	C _L			pF	
Pin capacitance	C _i			pF	
Pin capacitance	C _i			pF	

BLANK/CORBLA

Output Rise Time	T _r	8	12.5	ns	(10% - 90%)
Output Fall Time	T _f	8	12.5	ns	(10% - 90%)
Load Capacitance	C _L		20	pF	

Parameter	Symbol	Limit Values		Unit	Test Condition
		min.	max.		

BLANK/CORBLA(Control bit CORBL=0; BLANK only)

Output voltage no data insertion (Video)	V_{i-n}	0	0.5	V	
Output voltage for data insertion	V_{i-y}	0.9		V	

BLANK/CORBLA(Control bit CORBL=1; BLANK and COR)

Output voltage no data insertion no contrast reduction	V_{ic-n}	0	0.5	V	
Output voltage for contrast reduction and no data insertion	V_{c-y}	0.9	1.2	V	
Output voltage for data insertion	V_{i-y}	1.8		V	

HSYNC

Input Rise Time	T_r		100	ns	(10% - 90%)
Input Fall Time	T_f		100	ns	(10% - 90%)
Input Hysteresis	V_{HYST}	300	600	mV	
Input Pulse Width	T_{IPWH}	100		ns	
Output Pulse Width	T_{OPWH}	1		us	
Output Rise Time	T_r		100	ns	(10% - 90%)
Output Fall Time	T_f		100	ns	(10% - 90%)
Load Capacitance	C_L		50	pF	
Pin capacitance	C_i		5	pF	

VSYNC

Input Rise Time	T_r		200	ns	(10% - 90%)
-----------------	-------	--	-----	----	-------------

Preliminary & Confidential

Electrical Characteristics

Parameter	Symbol	Limit Values		Unit	Test Condition
		min.	max.		
Input Fall Time	T_f		200	ns	(10% - 90%)
Input Hysteresis	V_{HYST}	300	600	mV	
Input Pulse Width	T_{IPWV}	2/fh			
Output Pulse Width	T_{IPWV}	1/f _H			Depends on Register HPR
Output Rise Time	T_r		100	ns	(10% - 90%)
Output Fall Time	T_f		100	ns	(10% - 90%)
Load Capacitance	C_L		50	pF	
Pin capacitance	C_1		5	pF	

VCS Timing (Master mode)

Pulse width of H-Sync	T_{HPVCS}	4.59	us	
Distance between Equalizing Impulses	T_{DEP}	31.98	us	
Pulse Width of Equalizing Impulses	T_{EP}	2.31	us	
Pulse Width of Field Sync Impulses	T_{FSP}	27.39	us	
Horizontal Period	T_{HPR}	-	us	Depends on Register HPR

P1.x, P3.x, P4.x

Output Rise Time	T_r		ns	(10% - 90%)
Output Fall Time	T_f		ns	(10% - 90%)
Load Capacitance	C_L		pF	
Pin capacitance	C_1		pF	
Input Impedance (Analog Ports)	Z_p		1/MΩ	
Input Sample Frequency (General Purpose Ports)	F_s		MHz	
Output Current (P3.10, P3.14)	I_o		mA	

Parameter	Symbol	Limit Values		Unit	Test Condition
		min.	max.		
Hysteresis Voltage (I ² C Inputs): P6.5, P6.6, P6.7, P3.0, P3.1)	U_{HSYT}			mV	

A/D Converter Characteristics (Port 2.0 to P2.3)

Input Voltage Range	V_{ain}	0	2.5	V	
ADC Resolution	RES	8		BIT	binary
Output by Underflow		0			
Output by Overflow		255			
Bandwidth		10.5		kHz	
Sampling Time	t_s	2		μ s	
Sampling Frequency	f_{SAM}	21		kHz	
Maximum Input Source Resistance	R_s		<100	k Ω	
Pin capacitance (Analog Ports)	C_p		40	pF	

Reset

Pin capacitance	C_1			pF	
Reset In Pull Up Resistor	R_{pullup}			k Ω	
Input High Voltage	U_{IH}			V	

20.4 Timings

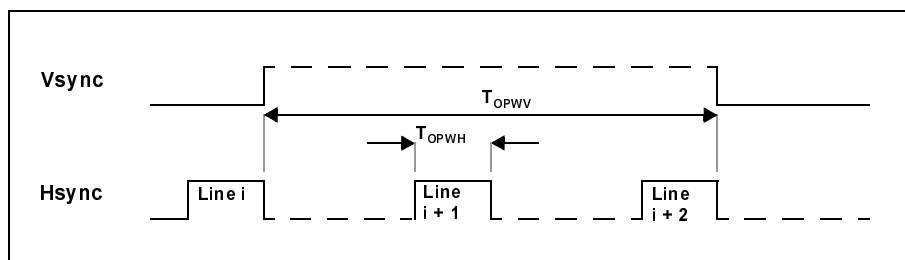


Figure 24 H/V - Sync-Timing (Sync-master mode)

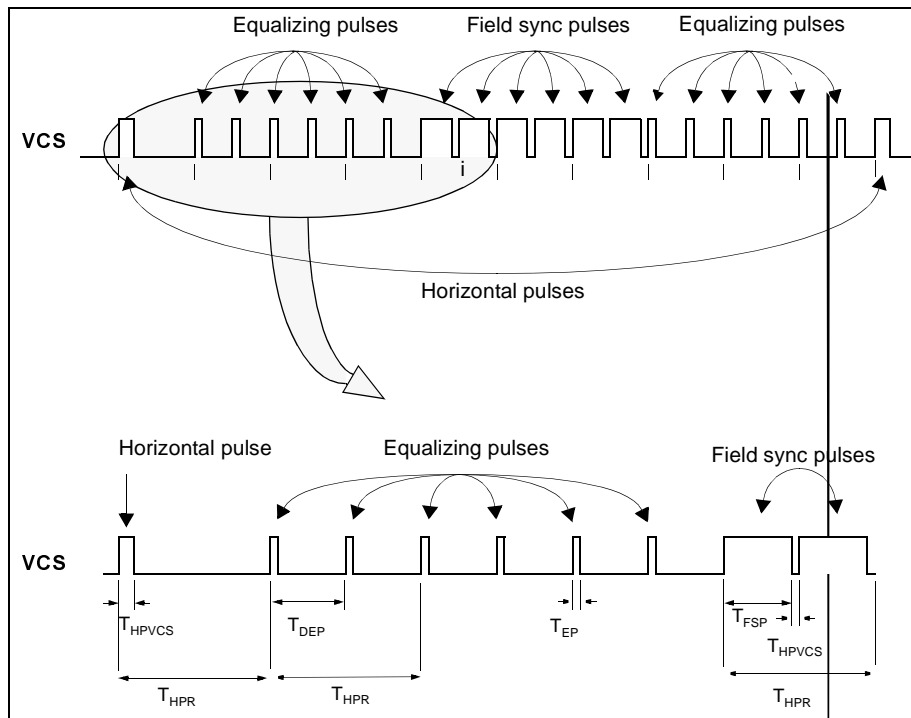


Figure 25 VCS -Timing (Sync-master mode)

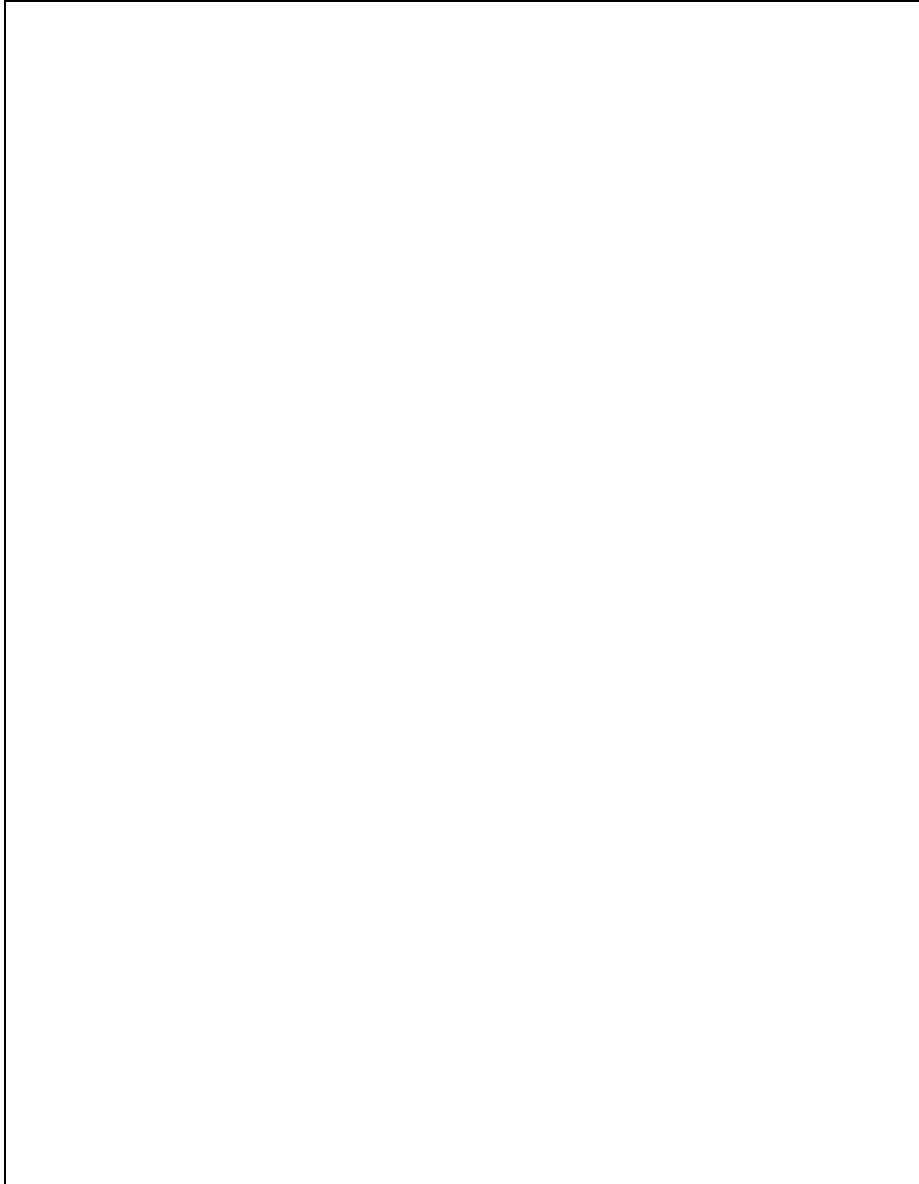


Figure 26 Application Diagram

20.5 Package Outlines

P-SDIP 52, P-MQFP64
(Plastic Metric Quad Flat Package)

GPM05247

Sorts of Packing

Package outlines for tubes, trays etc. are contained in our Data Book "Package Information".

SMD = Surface Mounted Device

Dimensions in mm



SDA 55xx

Preliminary & Confidential

Glossary

21 Glossary





23 List of changes since last edition

- Pinning in the chapter "Package and Pinning" has been updated.



SDA 55xx

Preliminary & Confidential

List of changes since last edition